

NO.	ISSUED FOR:	DATE
1	ISSUED FOR 50% REVIEW	MAR. 24, 2023
2	ISSUED FOR 99% REVIEW	MAY. 01, 2023
3	REVISED FOR 99%	MAY. 11, 2023
4	ISSUED FOR CONSTRUCTION	MAY. 17, 2023

GENERAL NOTES:  
FOR EDUCATIONAL PURPOSES ONLY

- A1 – ISOMETRIC
- A2 – FLOOR PLAN
- A3 – FLOOR JOIST PLAN
- A4 – ROOF FRAMING PLAN
- A5 – FRONT ELEVATION
- A6 – RIGHT SIDE ELEVATION
- A7 – REAR ELEVATION
- A8 – LEFT SIDE ELEVATION
- A9 – SECTION
- A10 – SECTION
- A11 – DETAILS
- A12 – DETAILS
- A13 – DETAILS
- A14 – DETAILS
- A15 – DETAILS
- A16 – DETAILS
- A17 – DETAILS



**CONCENTRIC**  
 CLIENT-CENTRIC. CHALLENGE DRIVEN.  
 626 QUEEN ELIZABETH WAY  
 SUITE 201, IQALUIT, NU X0A 0H0  
 (867) 979-4180



**SkillsCompétences  
 Canada**  
 Regina2025

CLIENT NAME:  
**SKILLS CANADA**

PROJECT NAME:  
**NATIONAL CARPENTRY  
 SECONDARY**

DRAWING TITLE:  
**ISOMETRIC**

DATE: MAY. 2022  
 DRAWN BY: JAVA/PJW  
 SCALE: NOT TO SCALE

SHEET No.  
**A1**

NO.	ISSUED FOR:	DATE
1	ISSUED FOR 50% REVIEW	MAR. 24, 2023
2	ISSUED FOR 99% REVIEW	MAY. 01, 2023
3	REVISED FOR 99%	MAY. 11, 2023
4	ISSUED FOR CONSTRUCTION	MAY. 17, 2023

- GENERAL NOTES:**  
FOR EDUCATIONAL PURPOSES ONLY
1. ALL SHEATHING STOCK TO BE VERIFIED ON SITE.
  2. POSTS = 89x89
  3. FINISH/SOFTEN ALL EXPOSED EDGES.
  4. ALL DIMENSIONS TO FRAMING UNLESS NOTED OTHERWISE.
  5. ALL FASTENING FOR THIS PROJECT TO BE AS PER THE NATIONAL BUILDING CODE.
  6. DECKING TO BE FASTENED WITH SCREWS.

**CONCENTRIC**  
CLIENT-CENTRIC. CHALLENGE DRIVEN.  
626 QUEEN ELIZABETH WAY  
SUITE 201, IQALUIT, NU X0A 0H0  
(867) 979-4180

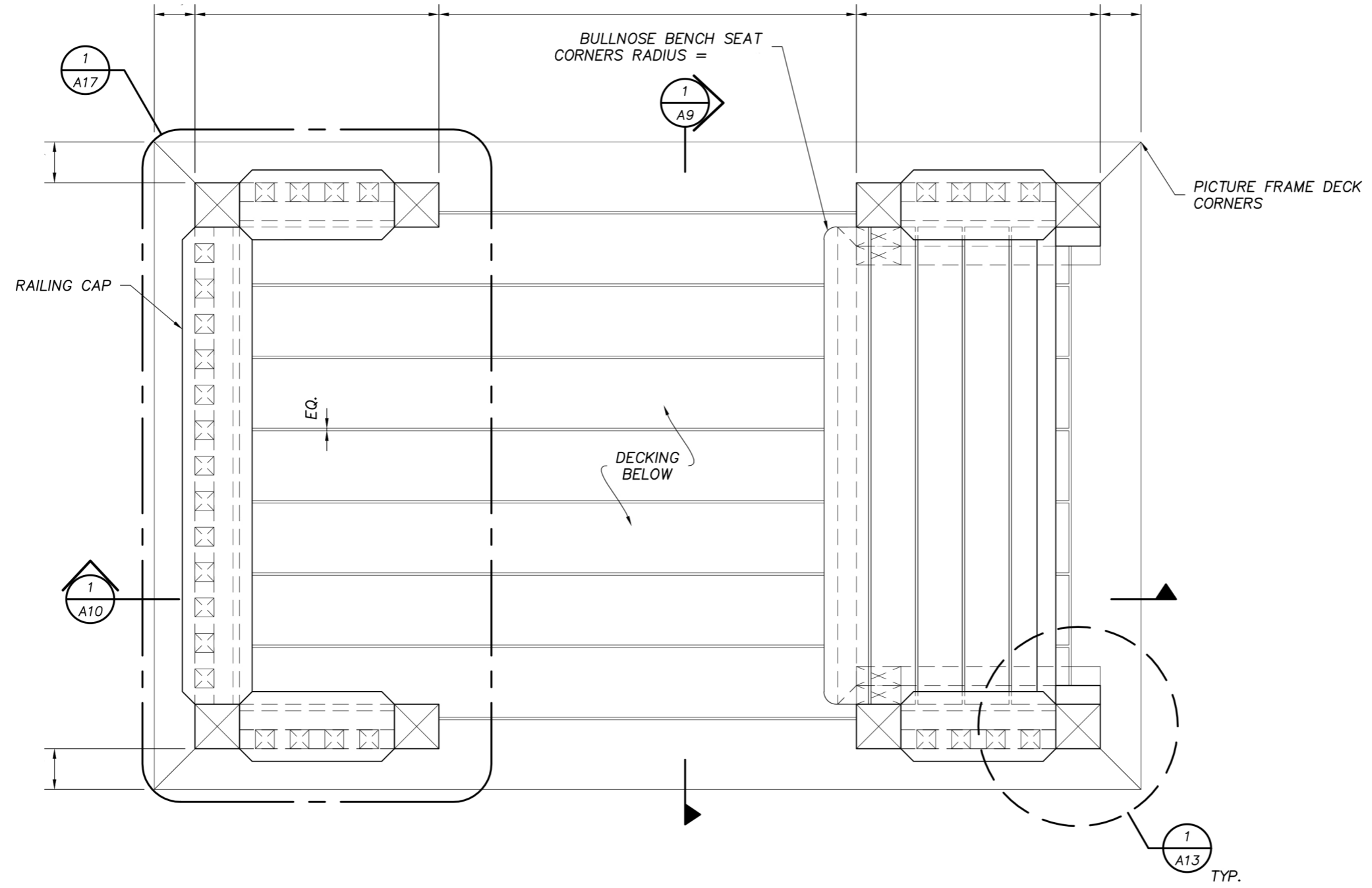
**SkillsCompétences**  
**Canada**  
Regina2025

CLIENT NAME:  
**SKILLS CANADA**

PROJECT NAME:  
**NATIONAL CARPENTRY  
SECONDARY**

DRAWING TITLE:  
**FLOOR PLAN**

DATE: MAY. 2022 | SHEET No. **A2**  
DRAWN BY: JAVA/PJW  
SCALE: NOT TO SCALE

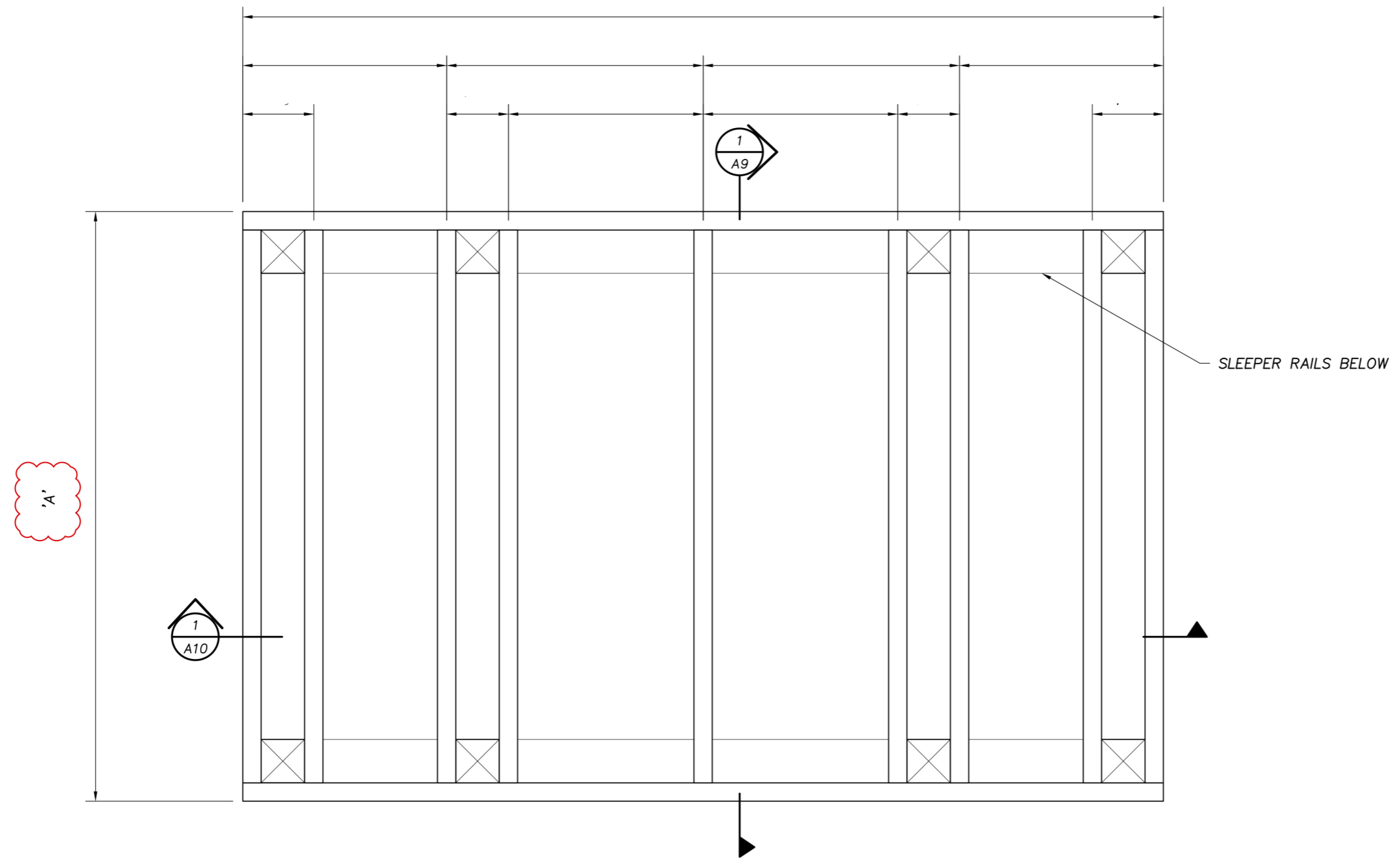


**1**  
A2 **FLOOR PLAN**

NO.	ISSUED FOR:	DATE
1	ISSUED FOR 50% REVIEW	MAR. 24, 2023
2	ISSUED FOR 99% REVIEW	MAY. 01, 2023
3	REVISED FOR 99%	MAY. 11, 2023
4	ISSUED FOR CONSTRUCTION	MAY. 17, 2023

GENERAL NOTES:  
FOR EDUCATIONAL PURPOSES ONLY

- FLOOR FRAMING = 38x89



**1** FLOOR JOIST PLAN  
A3

**CONCENTRIC**  
CLIENT-CENTRIC. CHALLENGE DRIVEN.  
626 QUEEN ELIZABETH WAY  
SUITE 201, IQALUIT, NU X0A 0H0  
(867) 979-4180

**SkillsCompétences**  
**Canada**  
Regina2025

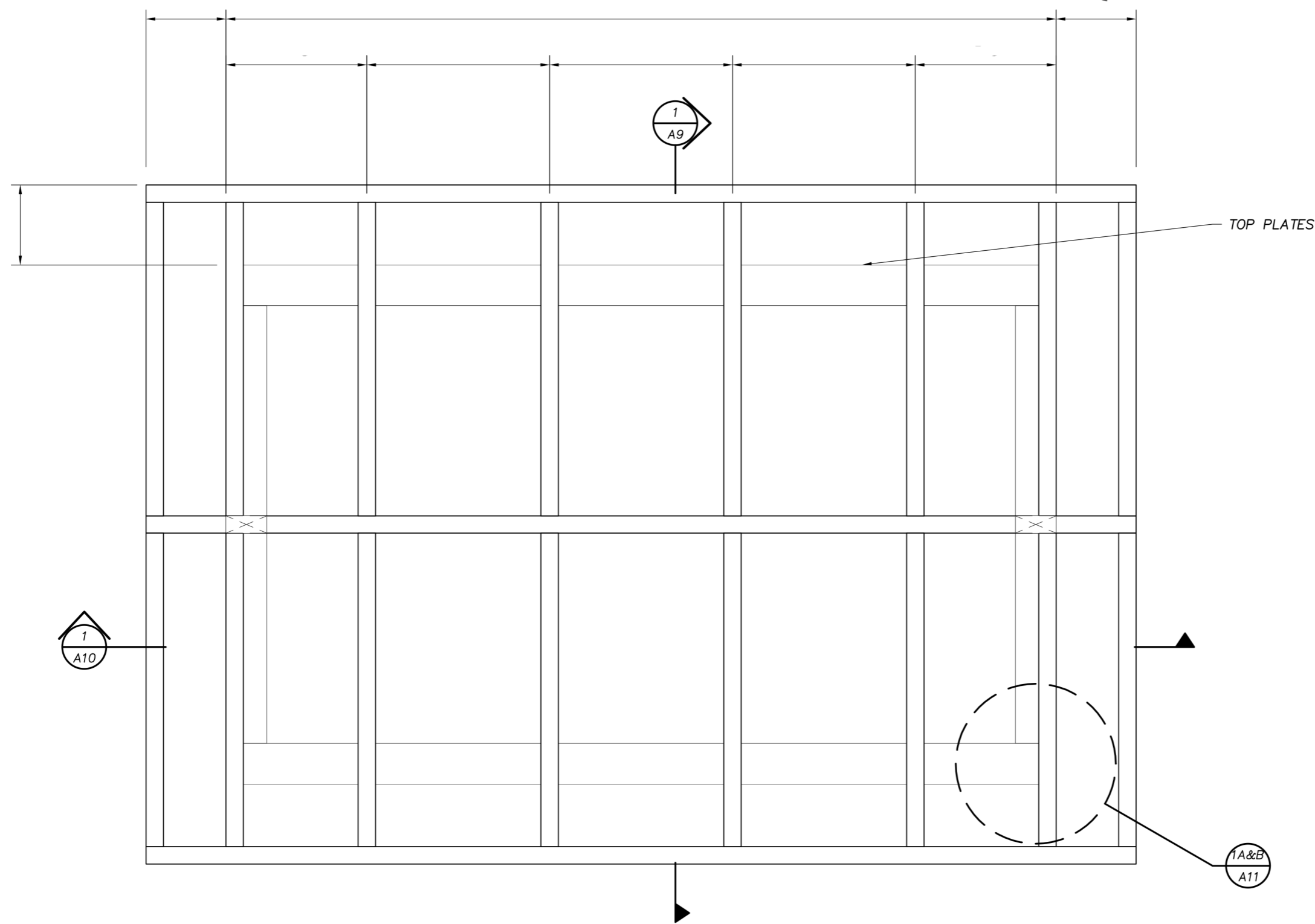
CLIENT NAME:  
**SKILLS CANADA**

PROJECT NAME:  
**NATIONAL CARPENTRY  
SECONDARY**

DRAWING TITLE:  
**FLOOR JOIST PLAN**

DATE: MAY. 2022 SHEET No.  
DRAWN BY: JAVA/PJW  
SCALE: NOT TO SCALE

A3



**1 ROOF FRAMING PLAN**  
A4

NO.	ISSUED FOR:	DATE
1	ISSUED FOR 50% REVIEW	MAR. 24, 2023
2	ISSUED FOR 99% REVIEW	MAY. 01, 2023
3	REVISED FOR 99%	MAY. 11, 2023
4	ISSUED FOR CONSTRUCTION	MAY. 17, 2023

**GENERAL NOTES:**  
**FOR EDUCATIONAL PURPOSES ONLY**

- NO SHEATHING FOR ROOF
- RIDGE STOCK = 38x140

**CONCENTRIC**  
CLIENT-CENTRIC. CHALLENGE DRIVEN.  
626 QUEEN ELIZABETH WAY  
SUITE 201, IQALUIT, NU X0A 0H0  
(867) 979-4180

**SkillsCompétences**  
**Canada**  
Regina2025

CLIENT NAME:  
**SKILLS CANADA**

PROJECT NAME:  
**NATIONAL CARPENTRY  
SECONDARY**

DRAWING TITLE:  
**ROOF FRAMING PLAN**

DATE: MAY. 2022 SHEET No.

DRAWN BY: JAVA/PJW

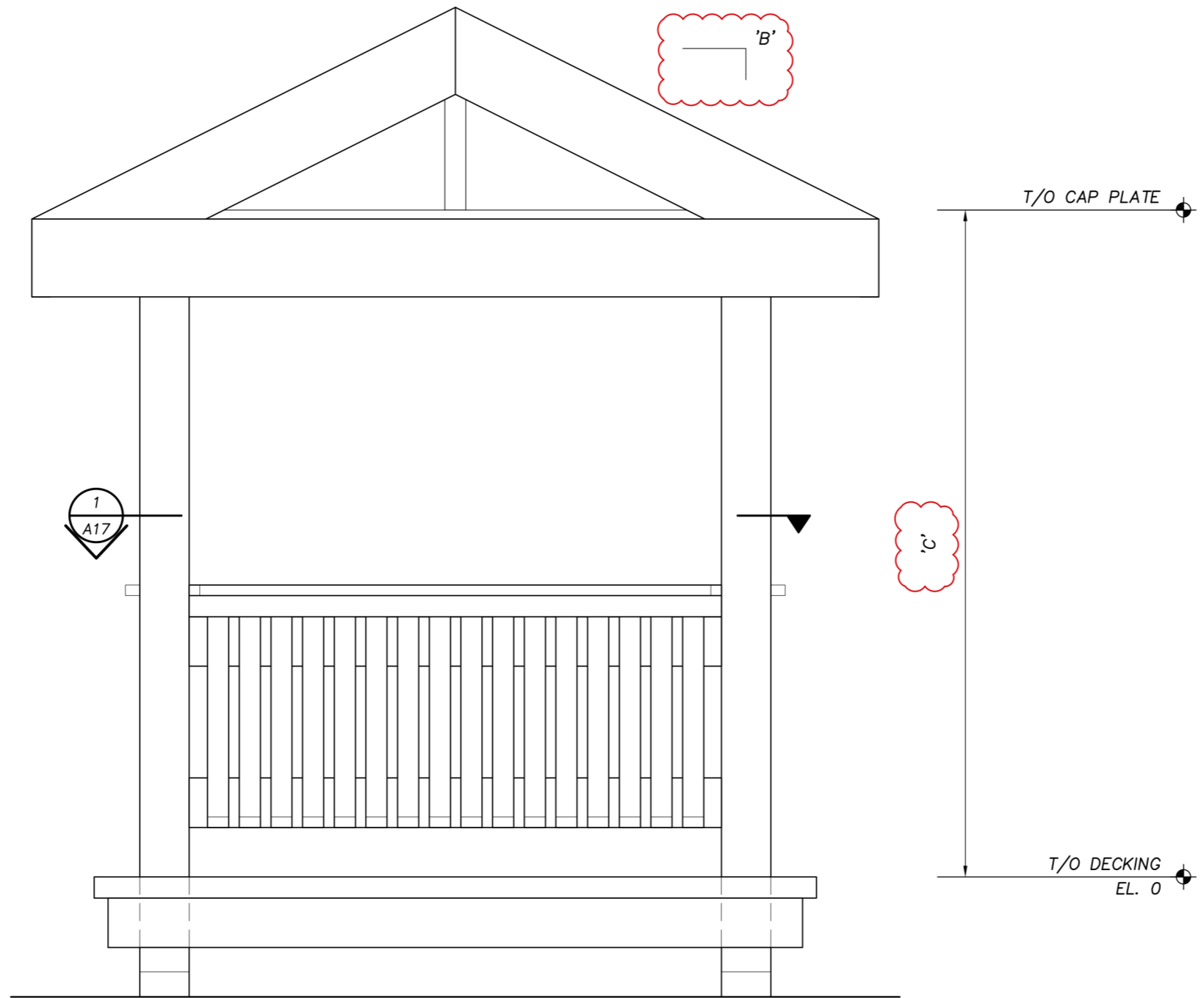
SCALE: NOT TO SCALE

**A4**

NO.	ISSUED FOR:	DATE
1	ISSUED FOR 50% REVIEW	MAR. 24, 2023
2	ISSUED FOR 99% REVIEW	MAY. 01, 2023
3	REVISED FOR 99%	MAY. 11, 2023
4	ISSUED FOR CONSTRUCTION	MAY. 17, 2023

GENERAL NOTES:  
FOR EDUCATIONAL PURPOSES ONLY

1. T/O = TOP OF



1 FRONT ELEVATION  
A5

**CONCENTRIC**  
CLIENT-CENTRIC. CHALLENGE DRIVEN.  
626 QUEEN ELIZABETH WAY  
SUITE 201, IQALUIT, NU X0A 0H0  
(867) 979-4180

**SkillsCompétences**  
**Canada**  
Regina2025

CLIENT NAME:  
**SKILLS CANADA**

PROJECT NAME:  
**NATIONAL CARPENTRY  
SECONDARY**

DRAWING TITLE:  
**FRONT ELEVATION**

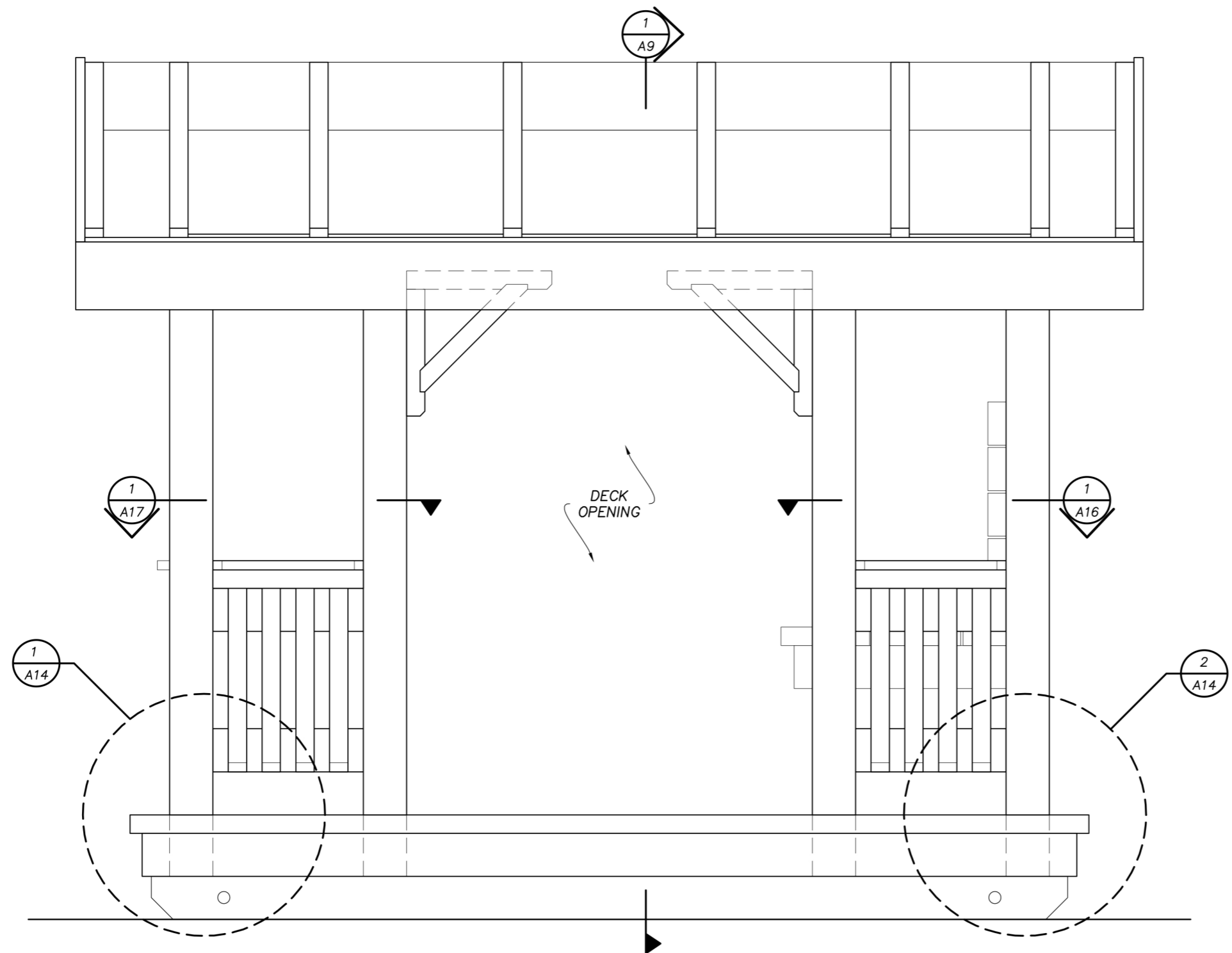
DATE: MAY. 2022

DRAWN BY: JAVA/PJW

SCALE: NOT TO SCALE

SHEET No.

**A5**



1 RIGHT SIDE ELEVATION  
A6

NO.	ISSUED FOR:	DATE
1	ISSUED FOR 50% REVIEW	MAR. 24, 2023
2	ISSUED FOR 99% REVIEW	MAY. 01, 2023
3	REVISED FOR 99%	MAY. 11, 2023
4	ISSUED FOR CONSTRUCTION	MAY. 17, 2023

GENERAL NOTES:  
FOR EDUCATIONAL PURPOSES ONLY

**CONCENTRIC**  
CLIENT-CENTRIC. CHALLENGE DRIVEN.  
626 QUEEN ELIZABETH WAY  
SUITE 201, IQALUIT, NU X0A 0H0  
(867) 979-4180

**SkillsCompétences**  
**Canada**  
Regina2025

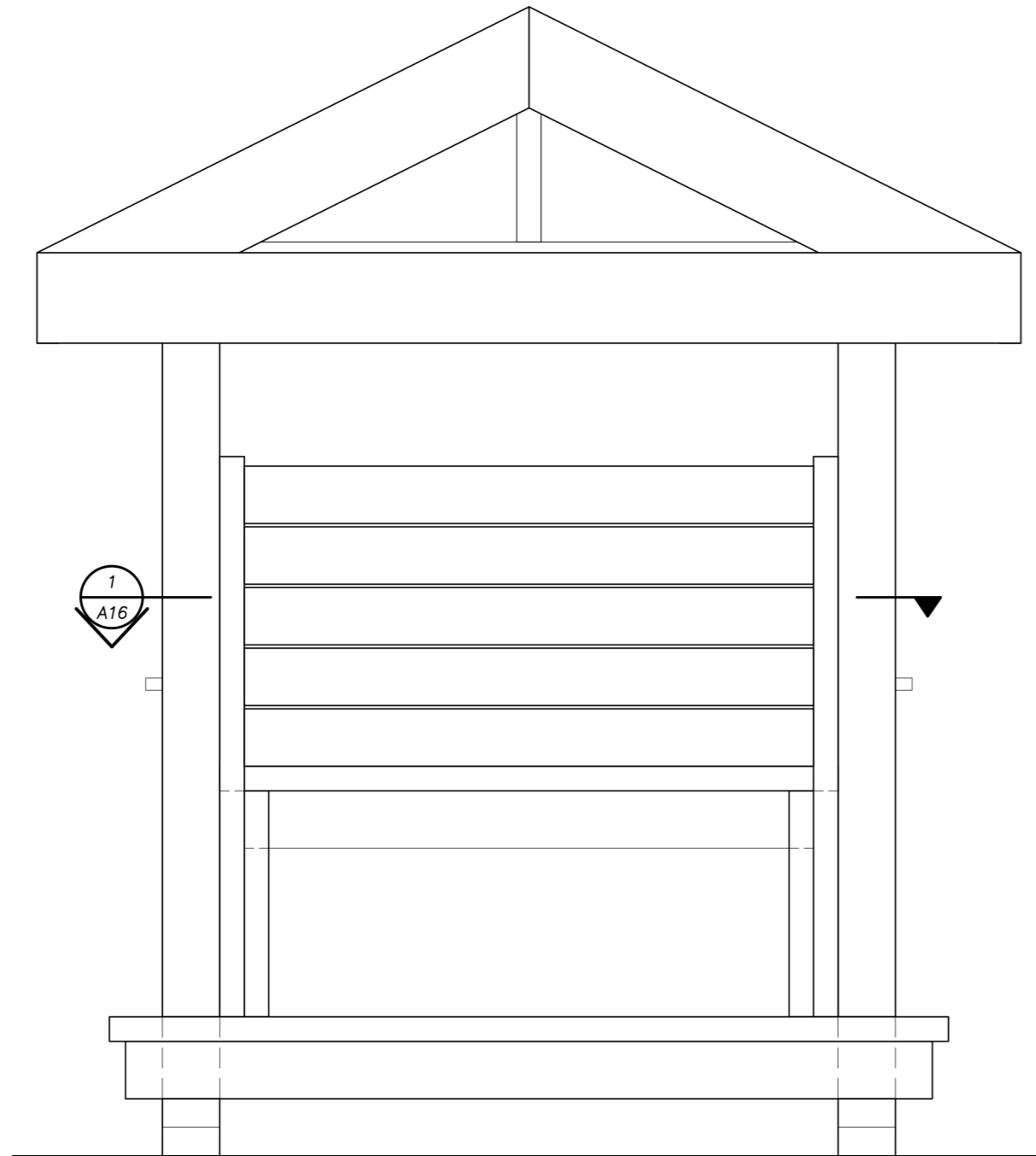
CLIENT NAME:  
**SKILLS CANADA**

PROJECT NAME:  
**NATIONAL CARPENTRY  
SECONDARY**

DRAWING TITLE:  
**RIGHT SIDE ELEVATION**

DATE: MAY. 2022  
DRAWN BY: JAVA/PJW  
SCALE: NOT TO SCALE

SHEET No.  
**A6**



1 REAR ELEVATION  
A7

NO.	ISSUED FOR:	DATE
1	ISSUED FOR 50% REVIEW	MAR. 24, 2023
2	ISSUED FOR 99% REVIEW	MAY. 01, 2023
3	REVISED FOR 99%	MAY. 11, 2023
4	ISSUED FOR CONSTRUCTION	MAY. 17, 2023

GENERAL NOTES:  
FOR EDUCATIONAL PURPOSES ONLY



CLIENT NAME:  
**SKILLS CANADA**

PROJECT NAME:  
**NATIONAL CARPENTRY  
SECONDARY**

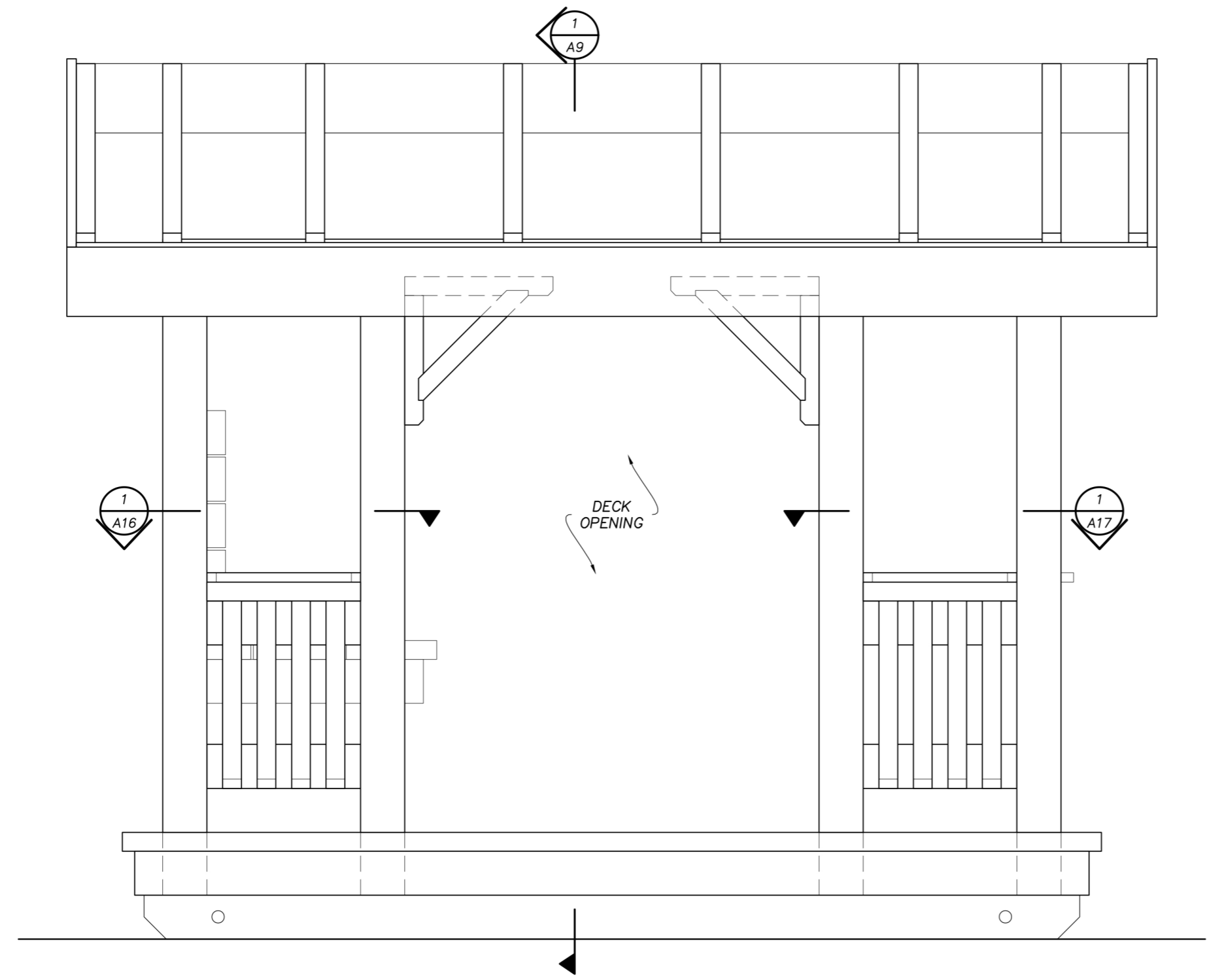
DRAWING TITLE:  
**REAR ELEVATION**

DATE: MAY. 2022  
DRAWN BY: JAVA/PJW  
SCALE: NOT TO SCALE

SHEET No.  
**A7**

NO.	ISSUED FOR:	DATE
1	ISSUED FOR 50% REVIEW	MAR. 24, 2023
2	ISSUED FOR 99% REVIEW	MAY. 01, 2023
3	REVISED FOR 99%	MAY. 11, 2023
4	ISSUED FOR CONSTRUCTION	MAY. 17, 2023

GENERAL NOTES:  
FOR EDUCATIONAL PURPOSES ONLY



**2** LEFT SIDE ELEVATION  
A8

**CONCENTRIC**  
CLIENT-CENTRIC. CHALLENGE DRIVEN.  
626 QUEEN ELIZABETH WAY  
SUITE 201, IQALUIT, NU X0A 0H0  
(867) 979-4180

**SkillsCompétences**  
**Canada**  
Regina2025

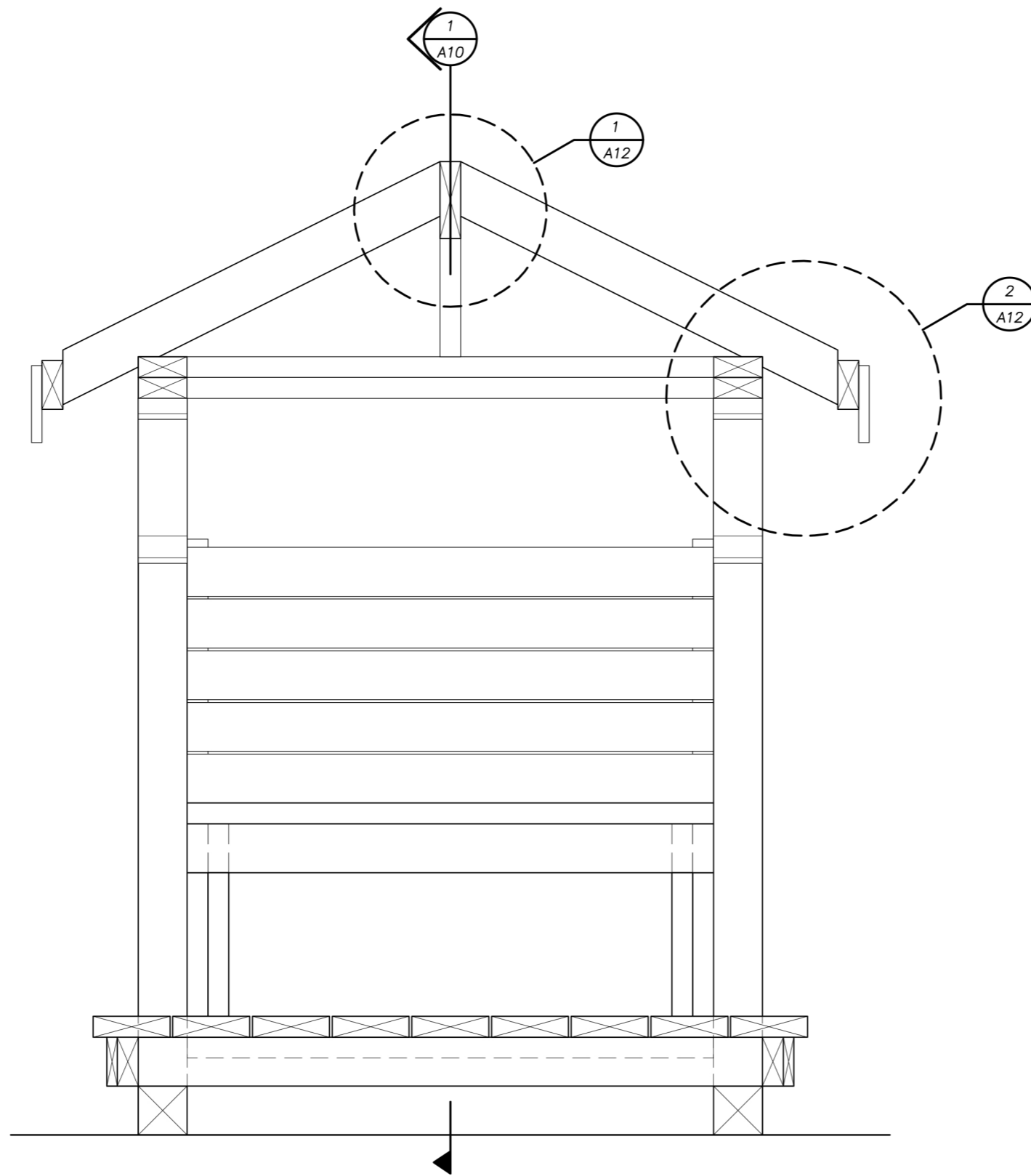
CLIENT NAME:  
**SKILLS CANADA**

PROJECT NAME:  
**NATIONAL CARPENTRY  
SECONDARY**

DRAWING TITLE:  
**LEFT SIDE ELEVATION**

DATE: MAY. 2022	SHEET No.
DRAWN BY: JAVA/PJW	<b>A8</b>
SCALE: NOT TO SCALE	





1 SECTION (A2, A3, A4, A6, A8)  
A9

NO.	ISSUED FOR:	DATE
1	ISSUED FOR 50% REVIEW	MAR. 24, 2023
2	ISSUED FOR 99% REVIEW	MAY. 01, 2023
3	REVISED FOR 99%	MAY. 11, 2023
4	ISSUED FOR CONSTRUCTION	MAY. 17, 2023

GENERAL NOTES:  
FOR EDUCATIONAL PURPOSES ONLY



CLIENT NAME:  
SKILLS CANADA

PROJECT NAME:  
NATIONAL CARPENTRY  
SECONDARY

DRAWING TITLE:  
SECTION

DATE: MAY. 2022 SHEET No. A9  
DRAWN BY: JAVA/PJW  
SCALE: NOT TO SCALE

NO.	ISSUED FOR:	DATE
1	ISSUED FOR 50% REVIEW	MAR. 24, 2023
2	ISSUED FOR 99% REVIEW	MAY. 01, 2023
3	REVISED FOR 99%	MAY. 11, 2023
4	ISSUED FOR CONSTRUCTION	MAY. 17, 2023

GENERAL NOTES:  
FOR EDUCATIONAL PURPOSES ONLY

**CONCENTRIC**  
CLIENT-CENTRIC. CHALLENGE DRIVEN.  
626 QUEEN ELIZABETH WAY  
SUITE 201, IQALUIT, NU X0A 0H0  
(867) 979-4180

**SkillsCompétences**  
**Canada**  
Regina2025

CLIENT NAME:  
**SKILLS CANADA**

PROJECT NAME:  
**NATIONAL CARPENTRY  
SECONDARY**

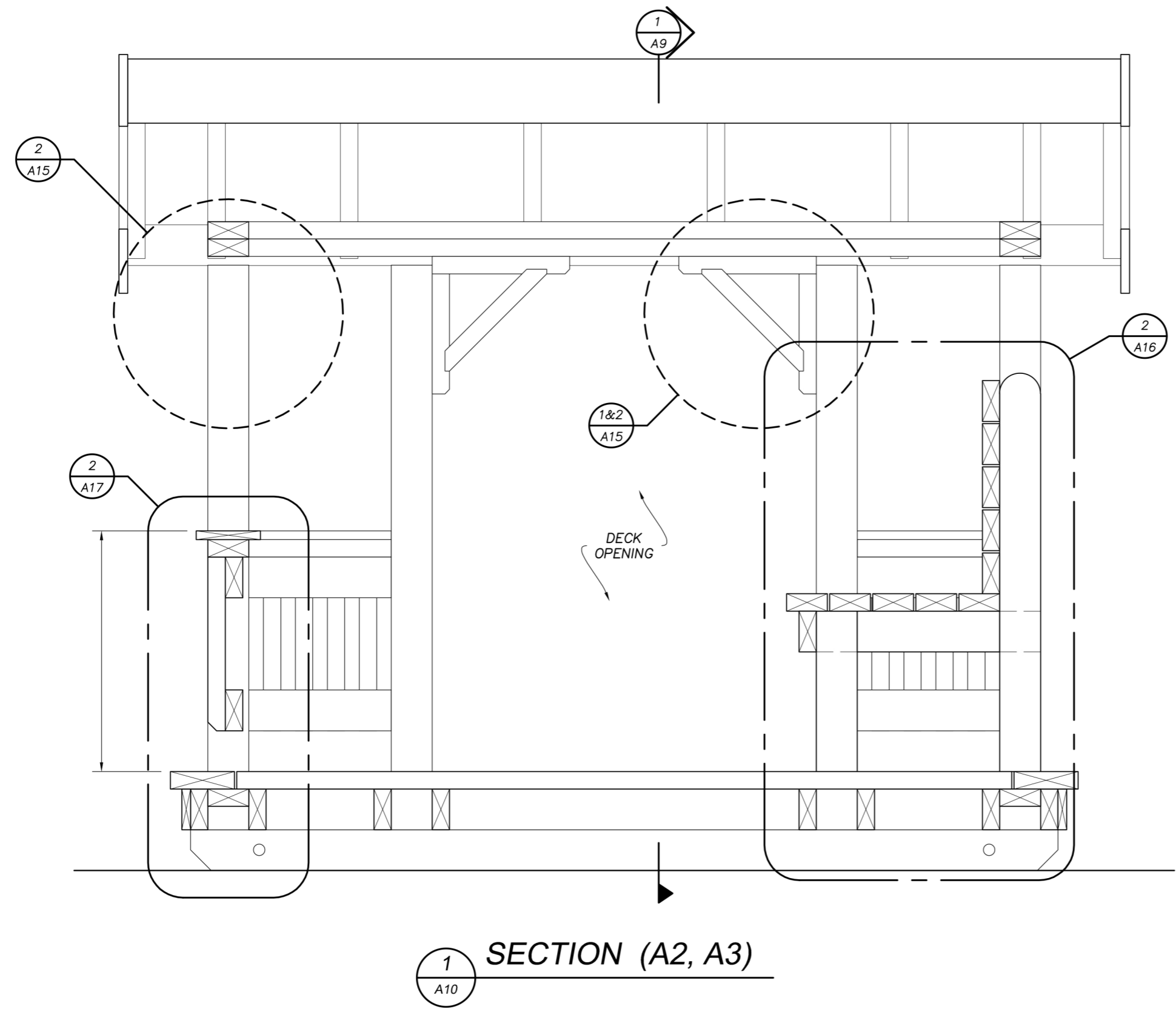
DRAWING TITLE:  
**SECTION**

DATE: MAY. 2022 | SHEET No.

DRAWN BY: JAVA/PJW

SCALE: NOT TO SCALE

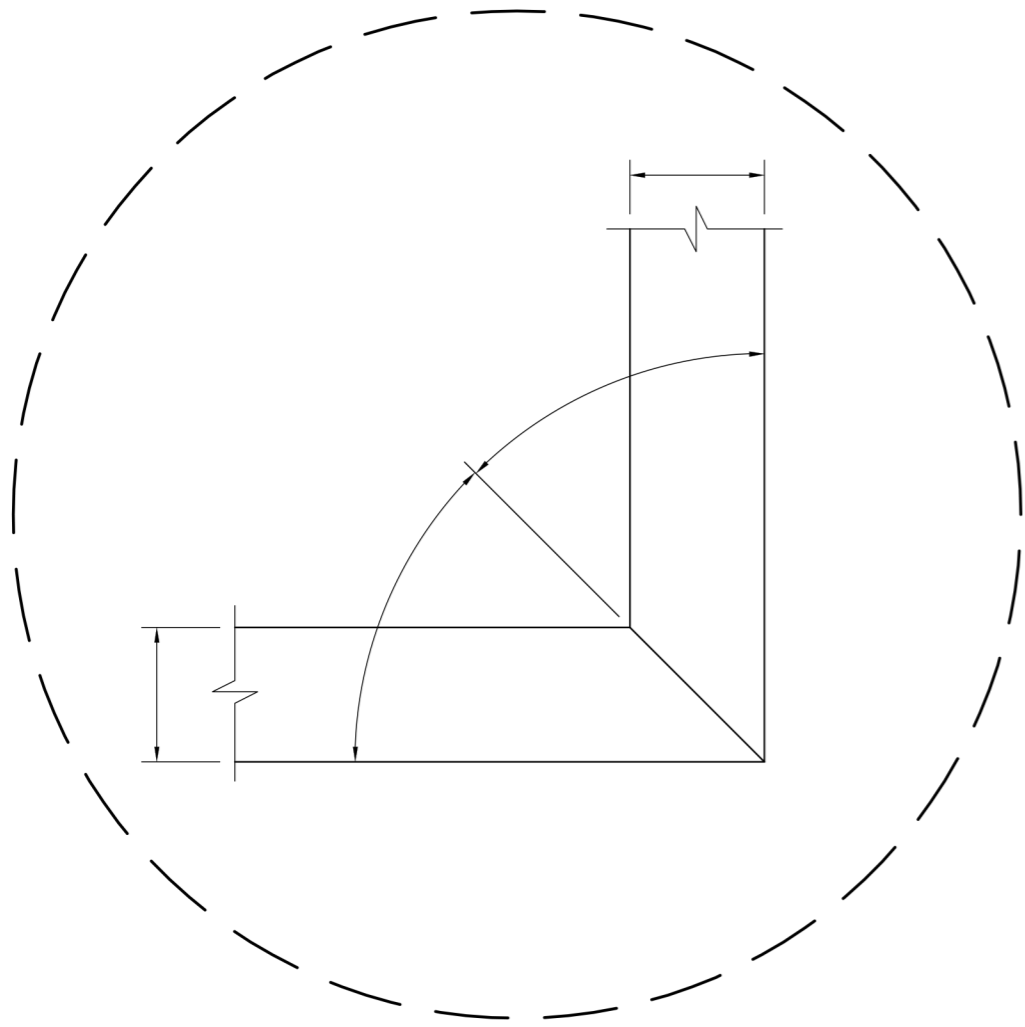
**A10**



**SECTION (A2, A3)**

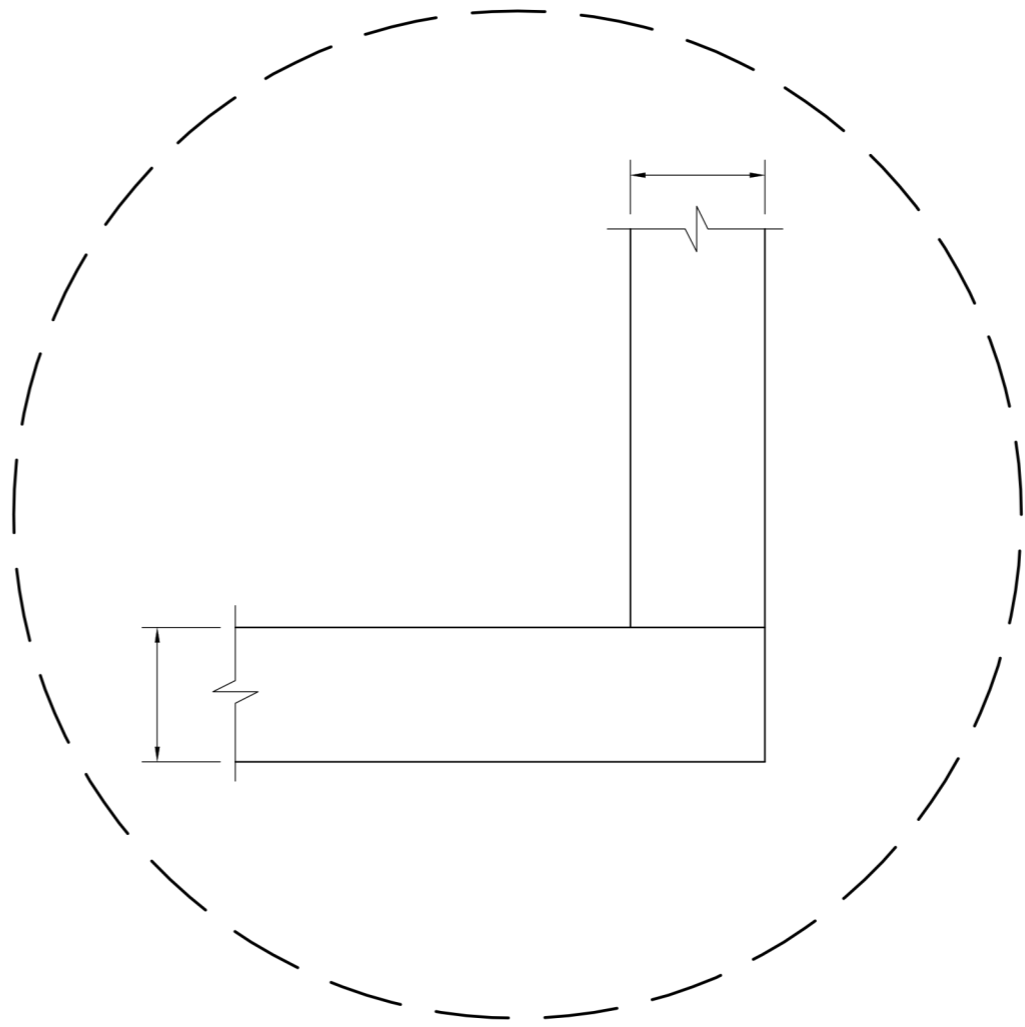
NO.	ISSUED FOR:	DATE
1	ISSUED FOR 50% REVIEW	MAR. 24, 2023
2	ISSUED FOR 99% REVIEW	MAY. 01, 2023
3	REVISED FOR 99%	MAY. 11, 2023
4	ISSUED FOR CONSTRUCTION	MAY. 17, 2023

GENERAL NOTES:  
FOR EDUCATIONAL PURPOSES ONLY



**DETAIL OF LOWER TOP PLATE  
CONNECTION AT POSTS**

1A  
A4



**DETAIL OF UPPER TOP PLATE  
CONNECTION AT POSTS**

1B  
A4

**CONCENTRIC**  
CLIENT-CENTRIC. CHALLENGE DRIVEN.  
626 QUEEN ELIZABETH WAY  
SUITE 201, IQALUIT, NU X0A 0H0  
(867) 979-4180

**SkillsCompétences  
Canada**  
Regina2025

CLIENT NAME:  
**SKILLS CANADA**

PROJECT NAME:  
**NATIONAL CARPENTRY  
SECONDARY**

DRAWING TITLE:  
**DETAILS**

DATE: MAY. 2022 SHEET No.

DRAWN BY: JAVA/PJW

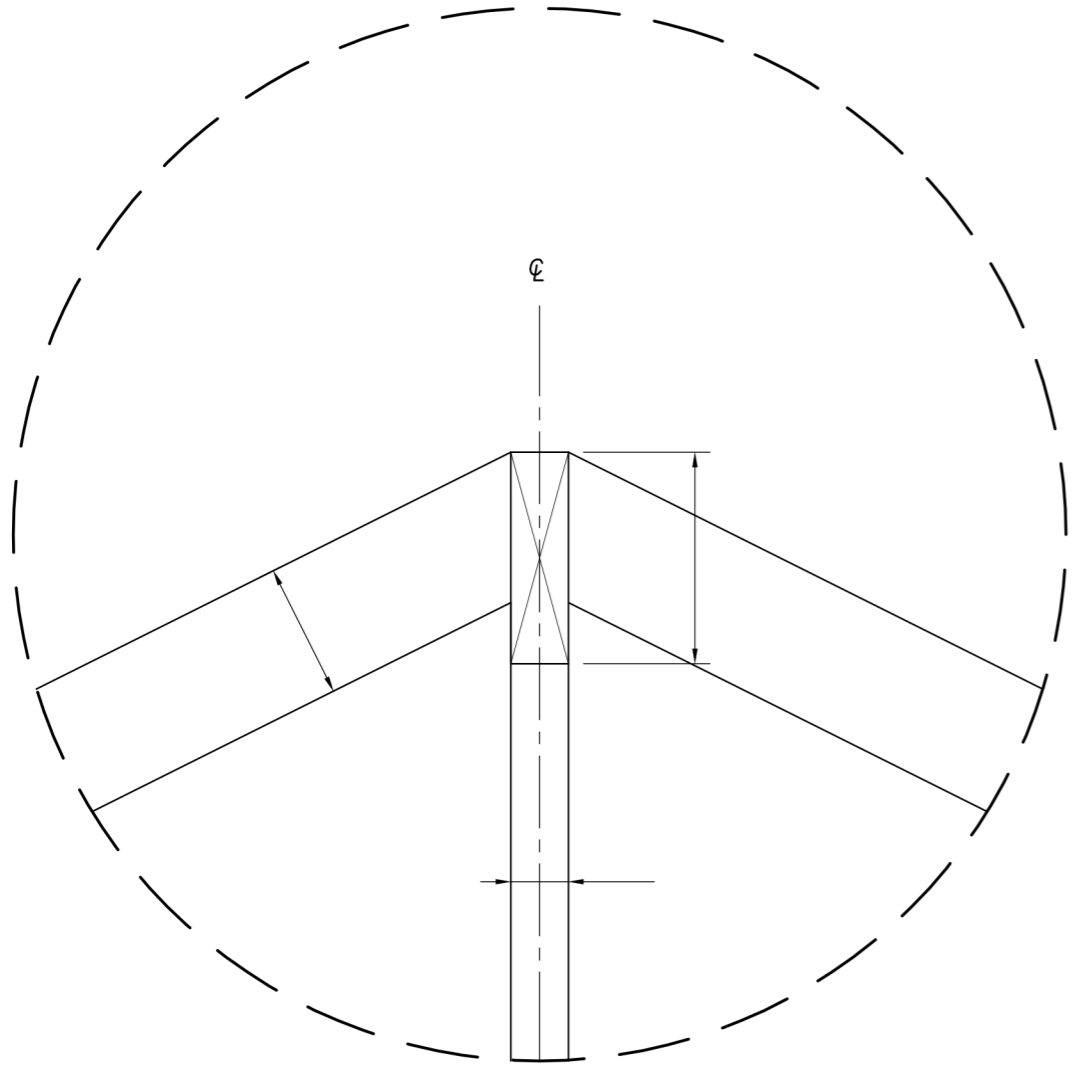
SCALE: NOT TO SCALE

**A11**

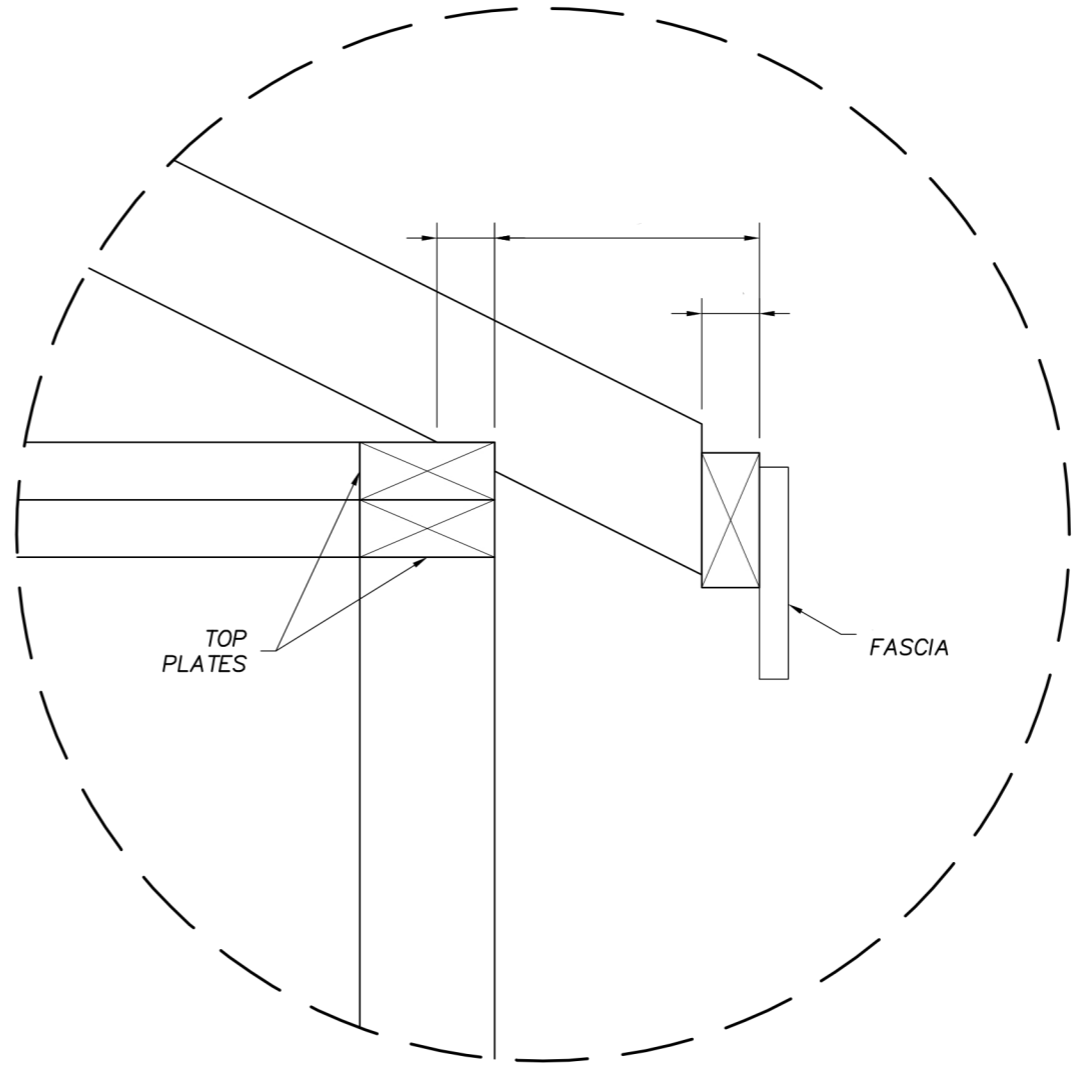
NO.	ISSUED FOR:	DATE
1	ISSUED FOR 50% REVIEW	MAR. 24, 2023
2	ISSUED FOR 99% REVIEW	MAY. 01, 2023
3	REVISED FOR 99%	MAY. 11, 2023
4	ISSUED FOR CONSTRUCTION	MAY. 17, 2023

GENERAL NOTES:  
FOR EDUCATIONAL PURPOSES ONLY

- ALL FINISHING ITEMS TO BE NAILED WITH FINISHING NAILS.



**1** RIDGE DETAIL  
A9



**2** TYP. EAVE DETAIL  
A9

**CONCENTRIC**  
CLIENT-CENTRIC. CHALLENGE DRIVEN.  
626 QUEEN ELIZABETH WAY  
SUITE 201, IQALUIT, NU X0A 0H0  
(867) 979-4180

**SkillsCompétences**  
**Canada**  
Regina2025

CLIENT NAME:  
**SKILLS CANADA**

PROJECT NAME:  
**NATIONAL CARPENTRY  
SECONDARY**

DRAWING TITLE:  
**DETAILS**

DATE: MAY. 2022 SHEET No.

DRAWN BY: JAVA/PJW

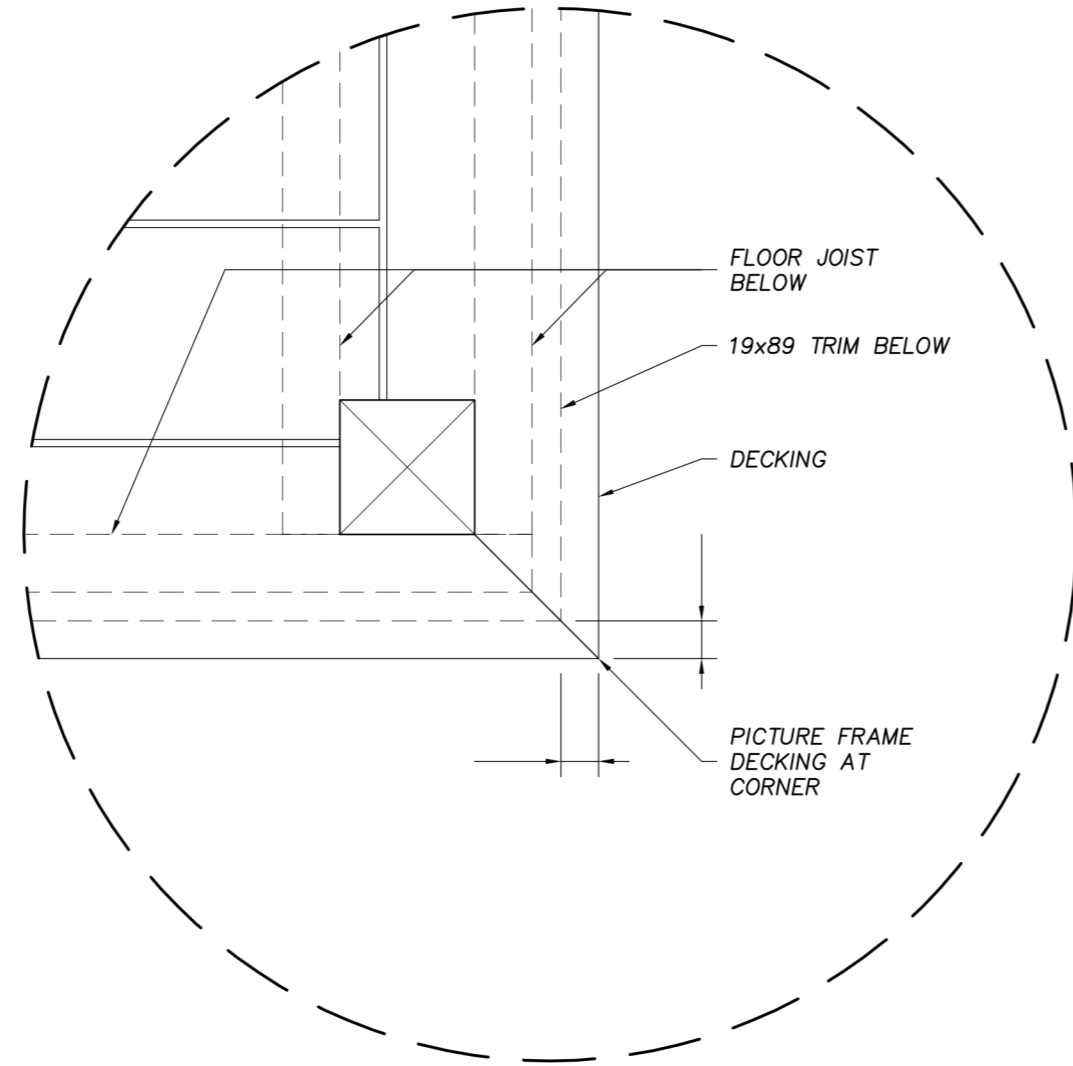
SCALE: NOT TO SCALE

**A12**

NO.	ISSUED FOR:	DATE
1	ISSUED FOR 50% REVIEW	MAR. 24, 2023
2	ISSUED FOR 99% REVIEW	MAY. 01, 2023
3	REVISED FOR 99%	MAY. 11, 2023
4	ISSUED FOR CONSTRUCTION	MAY. 17, 2023

GENERAL NOTES:  
FOR EDUCATIONAL PURPOSES ONLY

1. ALL FINISHING ITEMS TO BE NAILED WITH FINISHING NAILS.
2. DECKING TO BE FASTENED WITH SCREWS.



**1**  
A2 DECKING @ FLOOR JOISTS

**CONCENTRIC**  
CLIENT-CENTRIC. CHALLENGE DRIVEN.  
626 QUEEN ELIZABETH WAY  
SUITE 201, IQALUIT, NU X0A 0H0  
(867) 979-4180

**SkillsCompétences**  
**Canada**  
Regina2025

CLIENT NAME:  
**SKILLS CANADA**

PROJECT NAME:  
**NATIONAL CARPENTRY  
SECONDARY**

DRAWING TITLE:  
**DETAILS**

DATE: MAY. 2022 SHEET No.

DRAWN BY: JAVA/PJW

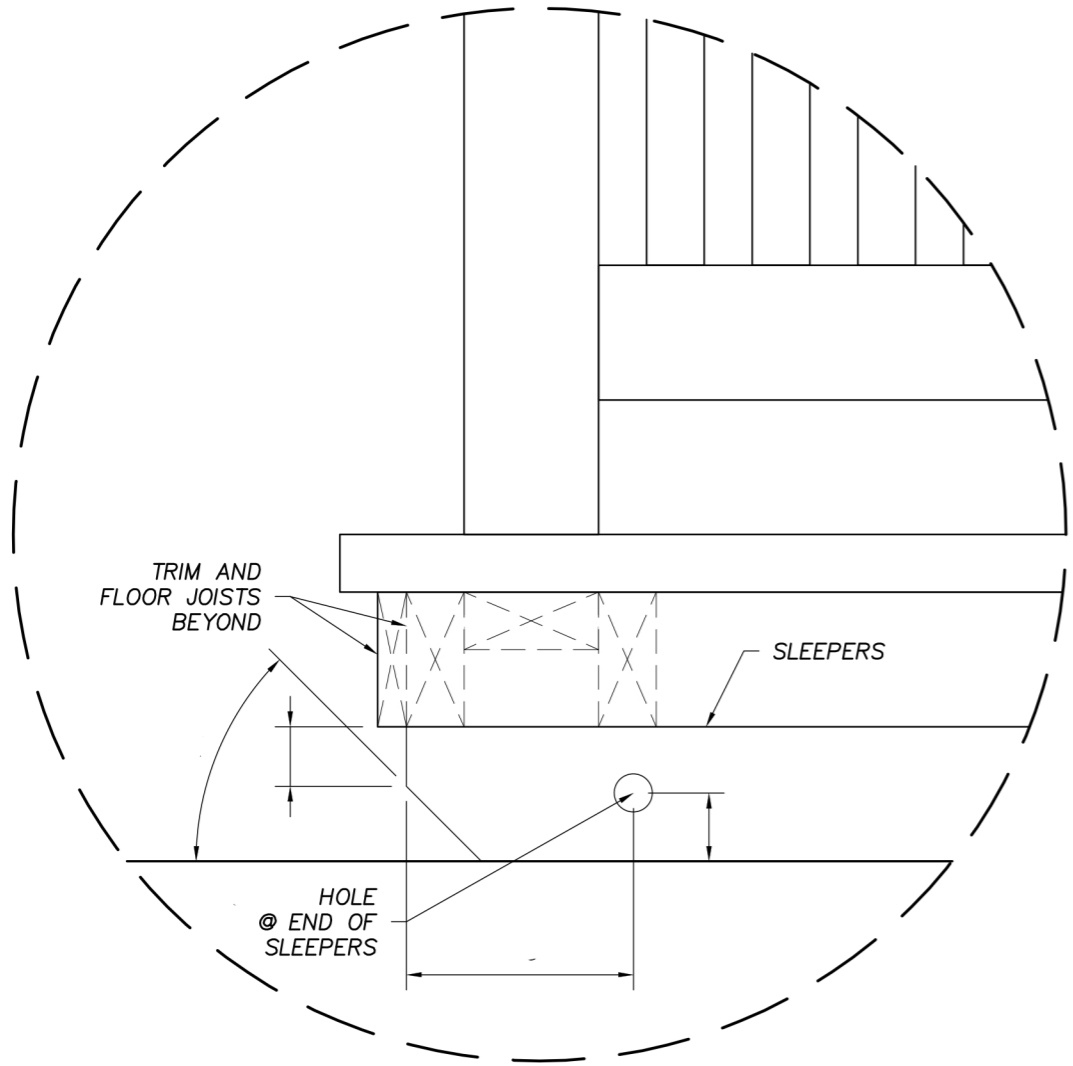
SCALE: NOT TO SCALE

**A13**

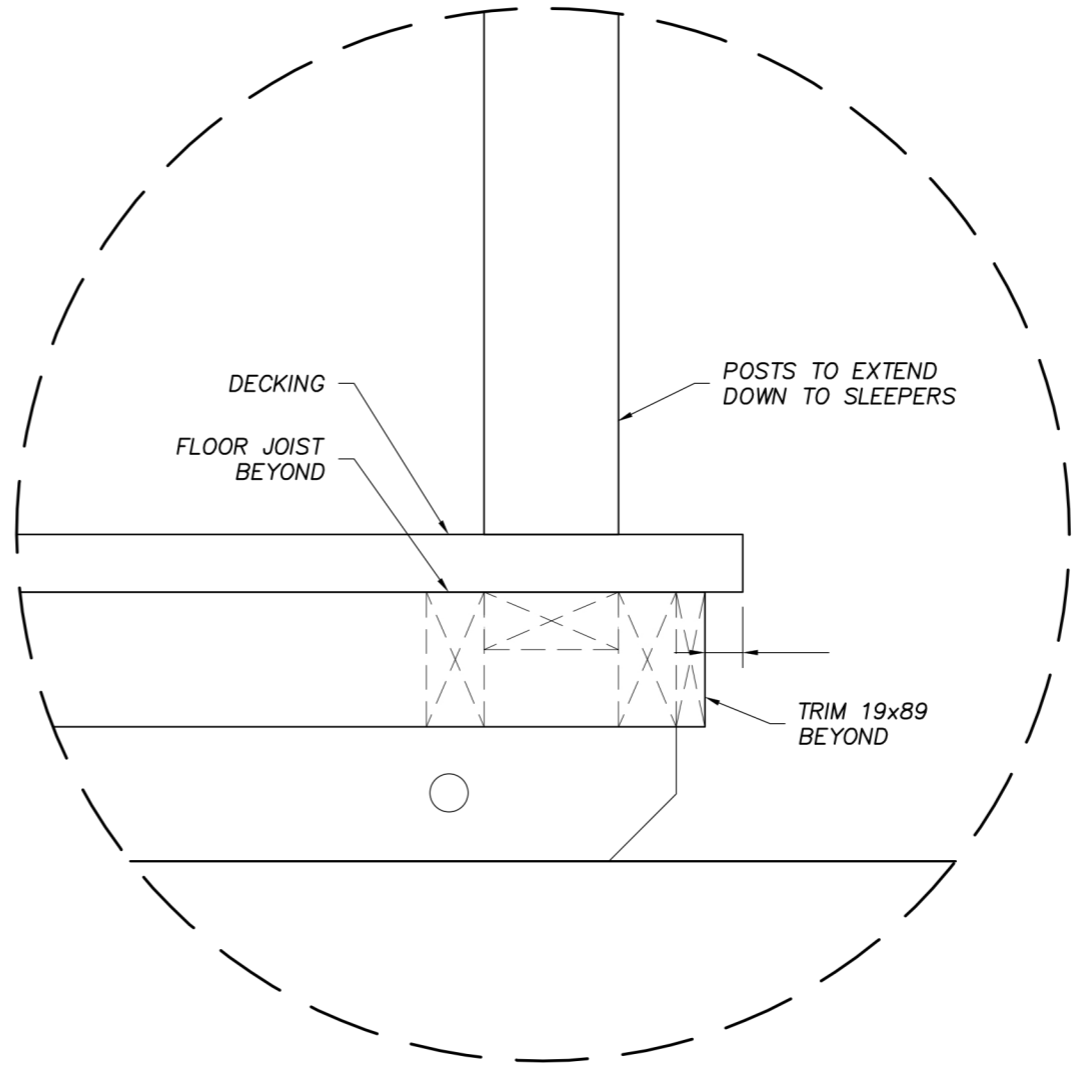
NO.	ISSUED FOR:	DATE
1	ISSUED FOR 50% REVIEW	MAR. 24, 2023
2	ISSUED FOR 99% REVIEW	MAY. 01, 2023
3	REVISED FOR 99%	MAY. 11, 2023
4	ISSUED FOR CONSTRUCTION	MAY. 17, 2023

GENERAL NOTES:  
FOR EDUCATIONAL PURPOSES ONLY

1. ALL FINISHING ITEMS TO BE NAILED WITH FINISHING NAILS.
2. POSTS TO EXTEND DOWN TO SLEEPERS.



**1** SLEEPER ANGLE DETAIL  
A6



**2** FLOOR JOISTS AT FRONT POSTS  
A6

**CONCENTRIC**  
CLIENT-CENTRIC. CHALLENGE DRIVEN.  
626 QUEEN ELIZABETH WAY  
SUITE 201, IQALUIT, NU X0A 0H0  
(867) 979-4180

**SkillsCompétences**  
**Canada**  
Regina2025

CLIENT NAME:  
**SKILLS CANADA**

PROJECT NAME:  
**NATIONAL CARPENTRY  
SECONDARY**

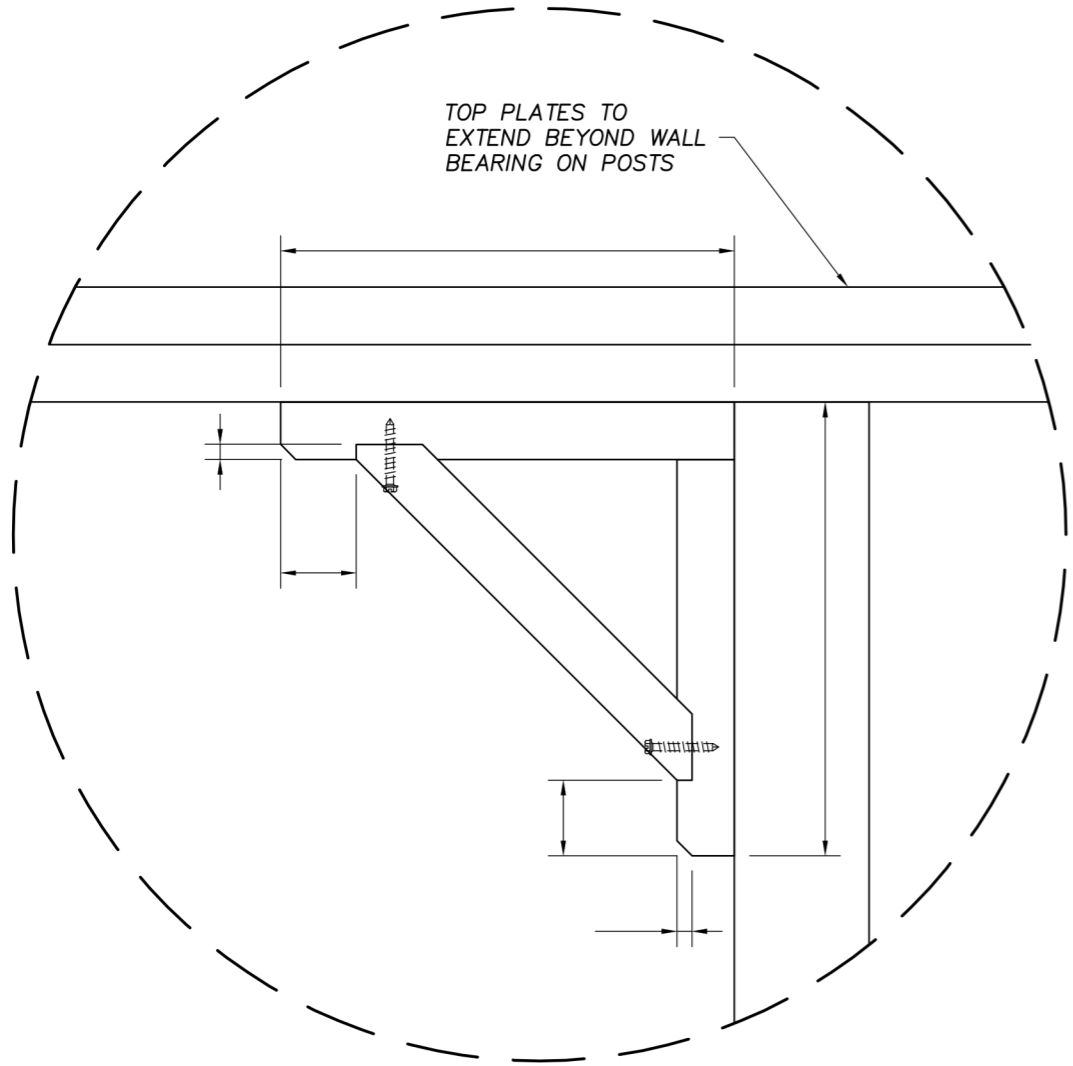
DRAWING TITLE:  
**DETAILS**

DATE: MAY. 2022 | SHEET No.  
DRAWN BY: JAVA/PJW  
SCALE: NOT TO SCALE

**A14**

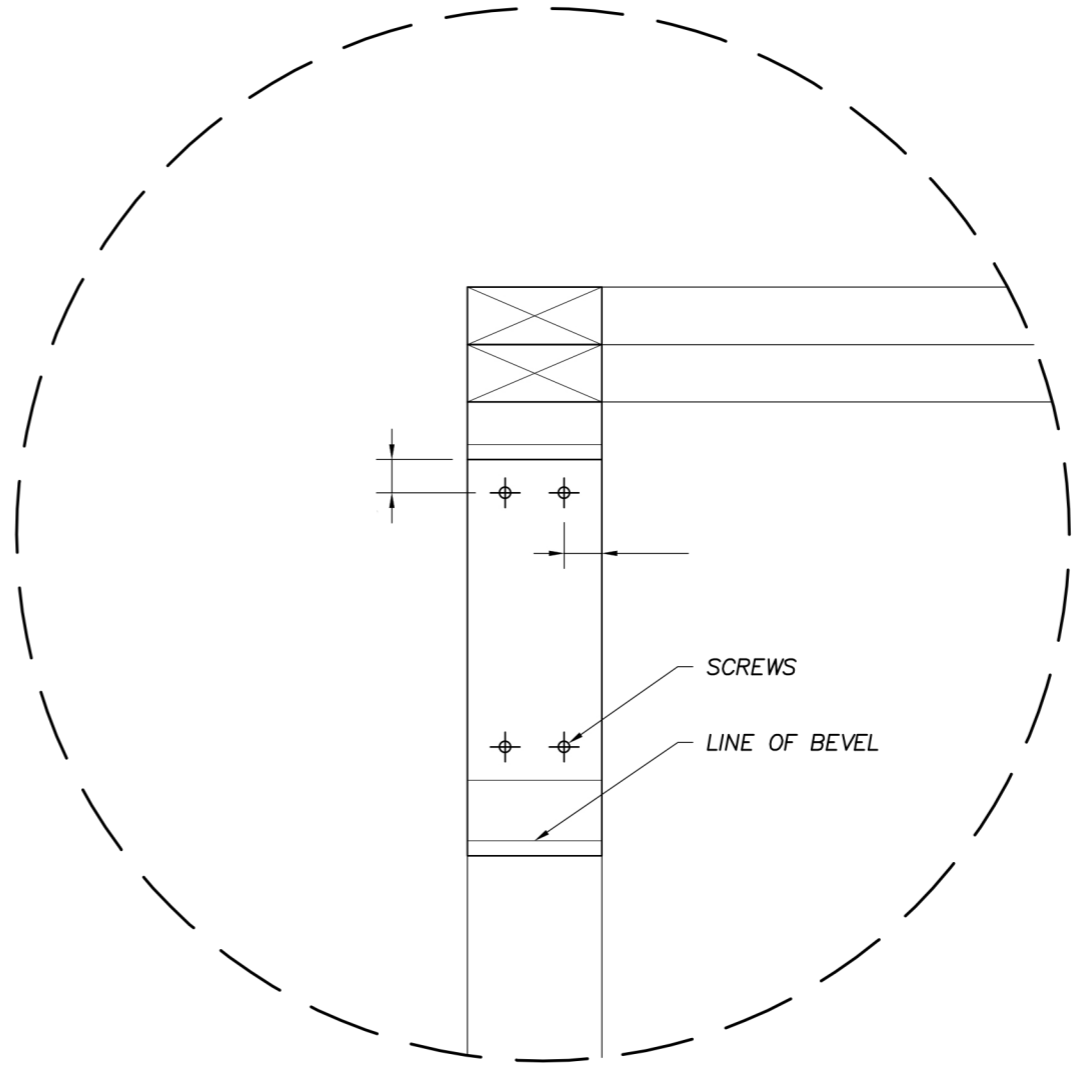
NO.	ISSUED FOR:	DATE
1	ISSUED FOR 50% REVIEW	MAR. 24, 2023
2	ISSUED FOR 99% REVIEW	MAY. 01, 2023
3	REVISED FOR 99%	MAY. 11, 2023
4	ISSUED FOR CONSTRUCTION	MAY. 17, 2023

GENERAL NOTES:  
FOR EDUCATIONAL PURPOSES ONLY



**TYPICAL ARCHITECTURAL  
BRACKET DETAIL-A**

1  
A10



**TYPICAL ARCHITECTURAL  
BRACKET DETAIL-B**

2  
A10

**CONCENTRIC**  
CLIENT-CENTRIC. CHALLENGE DRIVEN.  
626 QUEEN ELIZABETH WAY  
SUITE 201, IQALUIT, NU X0A 0H0  
(867) 979-4180

**SkillsCompétences  
Canada**  
Regina2025

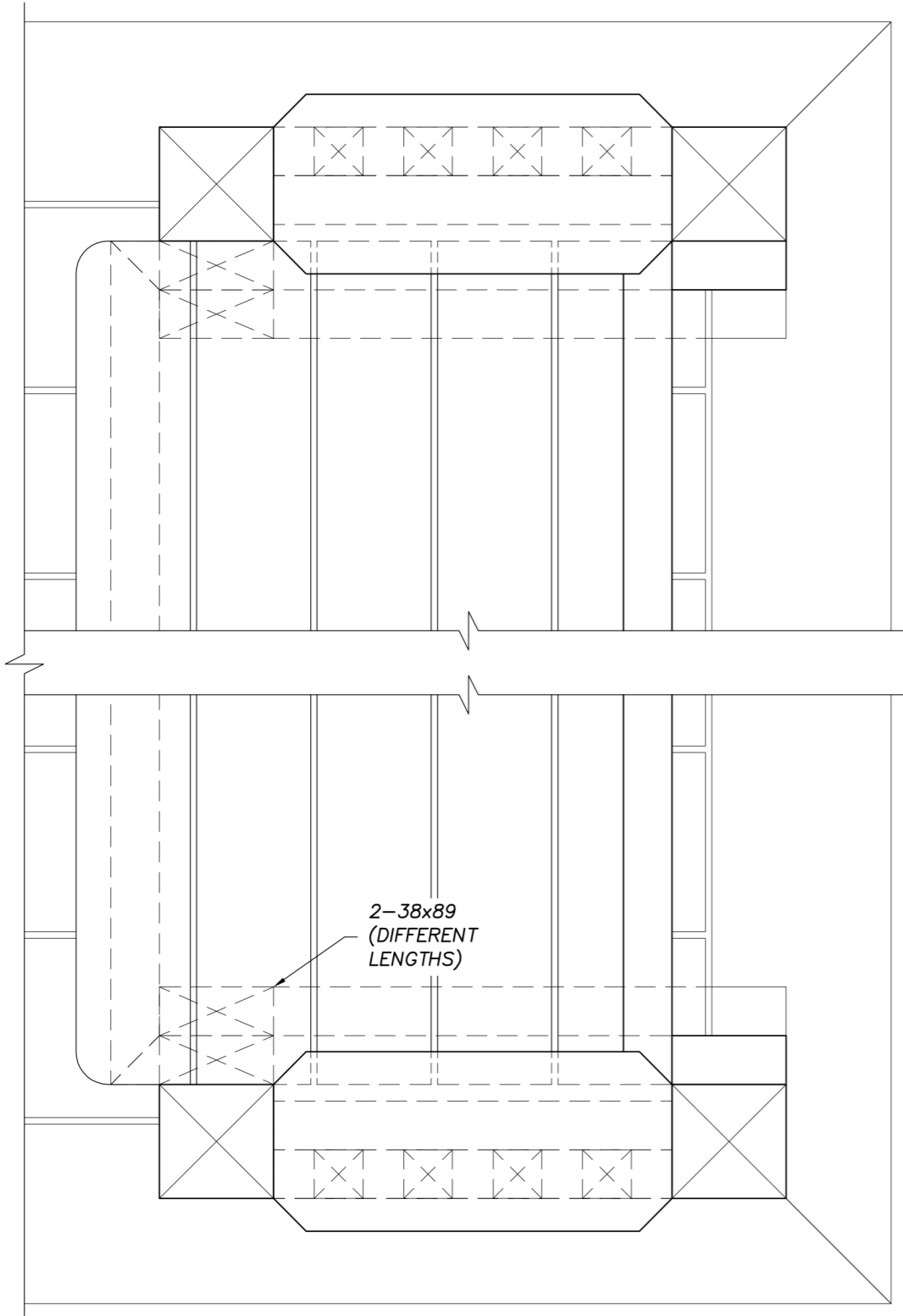
CLIENT NAME:  
**SKILLS CANADA**

PROJECT NAME:  
**NATIONAL CARPENTRY  
SECONDARY**

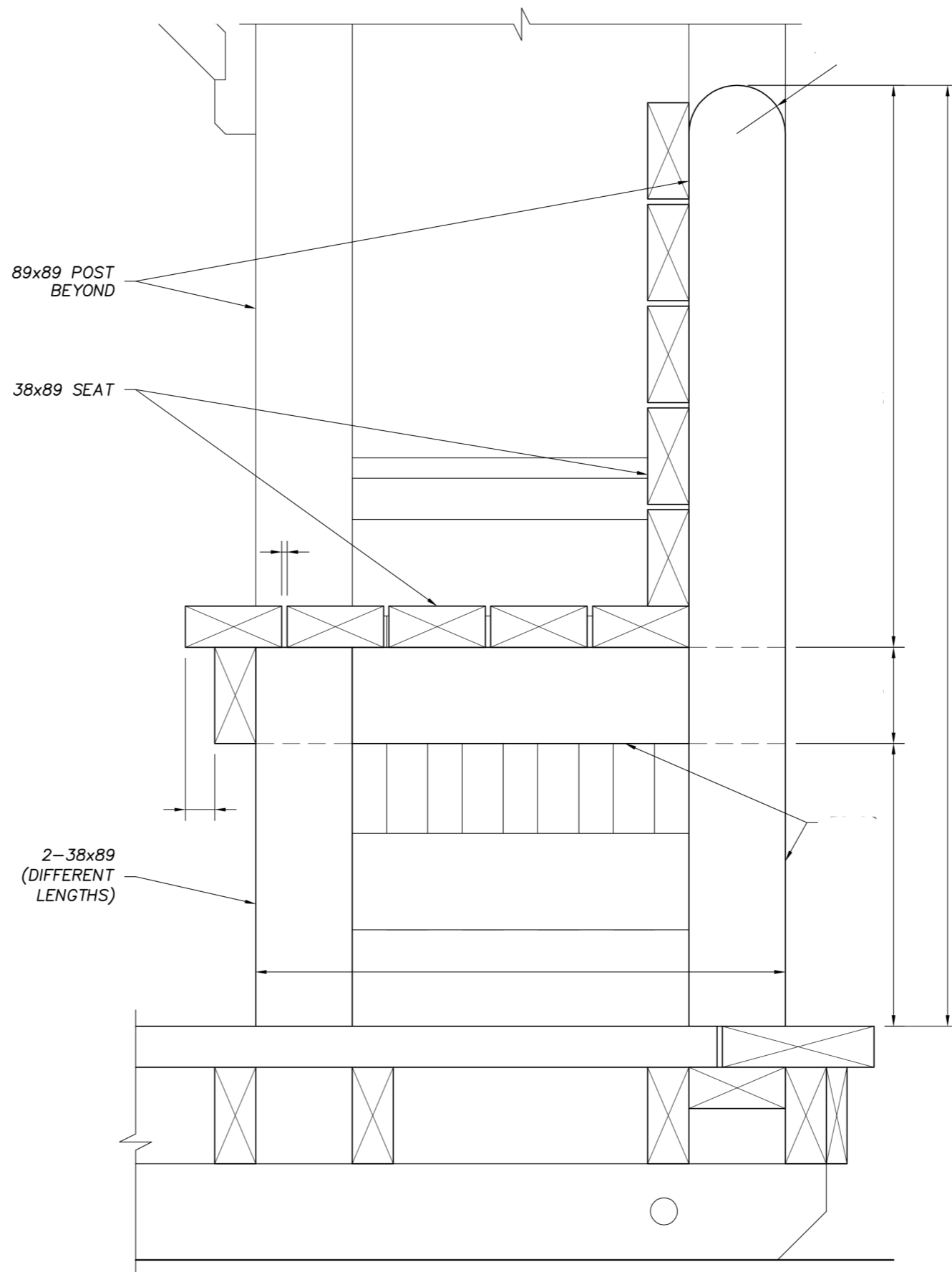
DRAWING TITLE:  
**DETAILS**

DATE: MAY. 2022 | SHEET No.  
DRAWN BY: JAVA/PJW  
SCALE: NOT TO SCALE

**A15**



**1** REAR SEAT PLAN  
A5



**2** REAR SEAT SECTION  
A10

NO.	ISSUED FOR:	DATE
1	ISSUED FOR 50% REVIEW	MAR. 24, 2023
2	ISSUED FOR 99% REVIEW	MAY. 01, 2023
3	REVISED FOR 99%	MAY. 11, 2023
4	ISSUED FOR CONSTRUCTION	MAY. 17, 2023

**GENERAL NOTES:**  
FOR EDUCATIONAL PURPOSES ONLY

1. ALL GUARDRAIL PARTS TO BE SCREWED EXCEPT CAP.
2. SEAT AND SEAT BACKS TO BE SCREWED TO SUPPORTS.

**CONCENTRIC**  
CLIENT-CENTRIC. CHALLENGE DRIVEN.  
626 QUEEN ELIZABETH WAY  
SUITE 201, IQALUIT, NU X0A 0H0  
(867) 979-4180

**SkillsCompétences**  
**Canada**  
Regina2025

CLIENT NAME:  
**SKILLS CANADA**

PROJECT NAME:  
**NATIONAL CARPENTRY  
SECONDARY**

DRAWING TITLE:  
**DETAILS**

DATE: MAY. 2022 SHEET No.

DRAWN BY: JAVA/PJW

SCALE: NOT TO SCALE

**A16**



NO.	ISSUED FOR:	DATE
1	ISSUED FOR 50% REVIEW	MAR. 24, 2023
2	ISSUED FOR 99% REVIEW	MAY. 01, 2023
3	REVISED FOR 99%	MAY. 11, 2023
4	ISSUED FOR CONSTRUCTION	MAY. 17, 2023

**GENERAL NOTES:**  
**FOR EDUCATIONAL PURPOSES ONLY**

- ALL GUARDRAIL PARTS TO BE SCREWED EXCEPT CAP.
- BALUSTERS: 38x38 S.P.F.

**CONCENTRIC**  
 CLIENT-CENTRIC. CHALLENGE DRIVEN.  
 626 QUEEN ELIZABETH WAY  
 SUITE 201, IQALUIT, NU X0A 0H0  
 (867) 979-4180

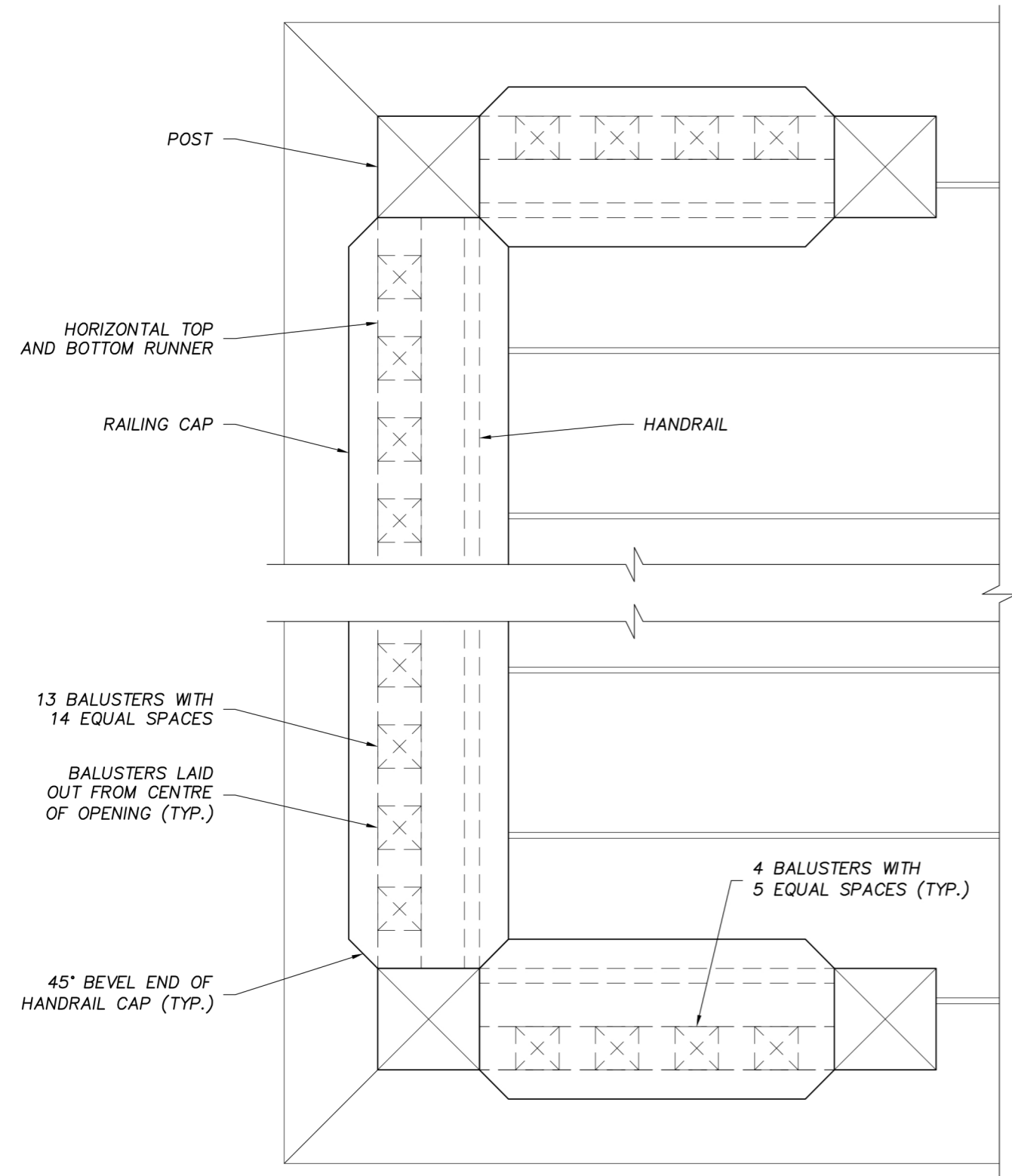
**SkillsCompétences  
 Canada**  
 Regina2025

CLIENT NAME:  
**SKILLS CANADA**

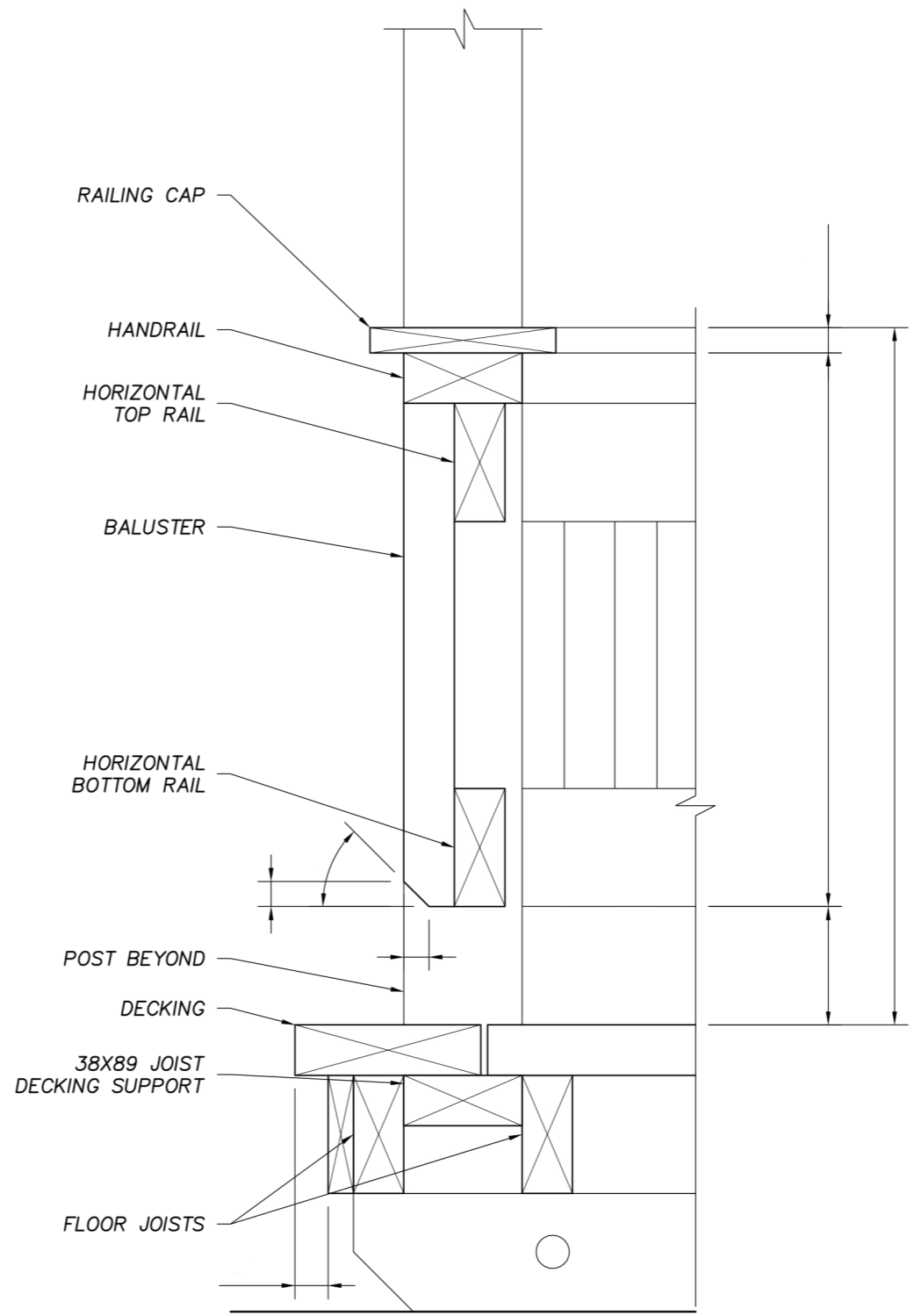
PROJECT NAME:  
**NATIONAL CARPENTRY  
 SECONDARY**

DRAWING TITLE:  
**DETAILS**

DATE: MAY. 2022 SHEET No.  
 DRAWN BY: JAVA/PJW  
 SCALE: NOT TO SCALE **A17**



**1 FRONT AND SIDE RAILING PLAN**  
 A5



**2 FRONT AND SIDE RAILING SECTION**  
 A10