

NO.	ISSUED FOR:	DATE
1	ISSUED FOR 50% REVIEW	MAR. 24, 2023
2	ISSUED FOR 99% REVIEW	MAY. 01, 2023
3	REVISED FOR 99%	MAY. 11, 2023
4	ISSUED FOR CONSTRUCTION	MAY. 17, 2023

GENERAL NOTES:
FOR EDUCATIONAL PURPOSES ONLY

- A1 – ISOMETRIC
- A2 – FLOOR PLAN
- A3 – FLOOR JOIST PLAN
- A4 – ROOF FRAMING PLAN
- A5 – FRONT ELEVATION
- A6 – LEFT SIDE ELEVATION
- A7 – REAR ELEVATION
- A8 – RIGHT SIDE ELEVATION
- A9 – SECTION
- A10 – SECTION
- A11 – SECTION
- A12 – DETAILS
- A13 – DETAILS
- A14 – DETAILS
- A15 – DETAILS
- A16 – DETAILS
- A17 – DETAILS
- A18 – DETAILS


CONCENTRIC
CLIENT-CENTRIC. CHALLENGE DRIVEN.
 626 QUEEN ELIZABETH WAY
 SUITE 201, IQALUIT, NU X0A 0H0
 (867) 979-4180

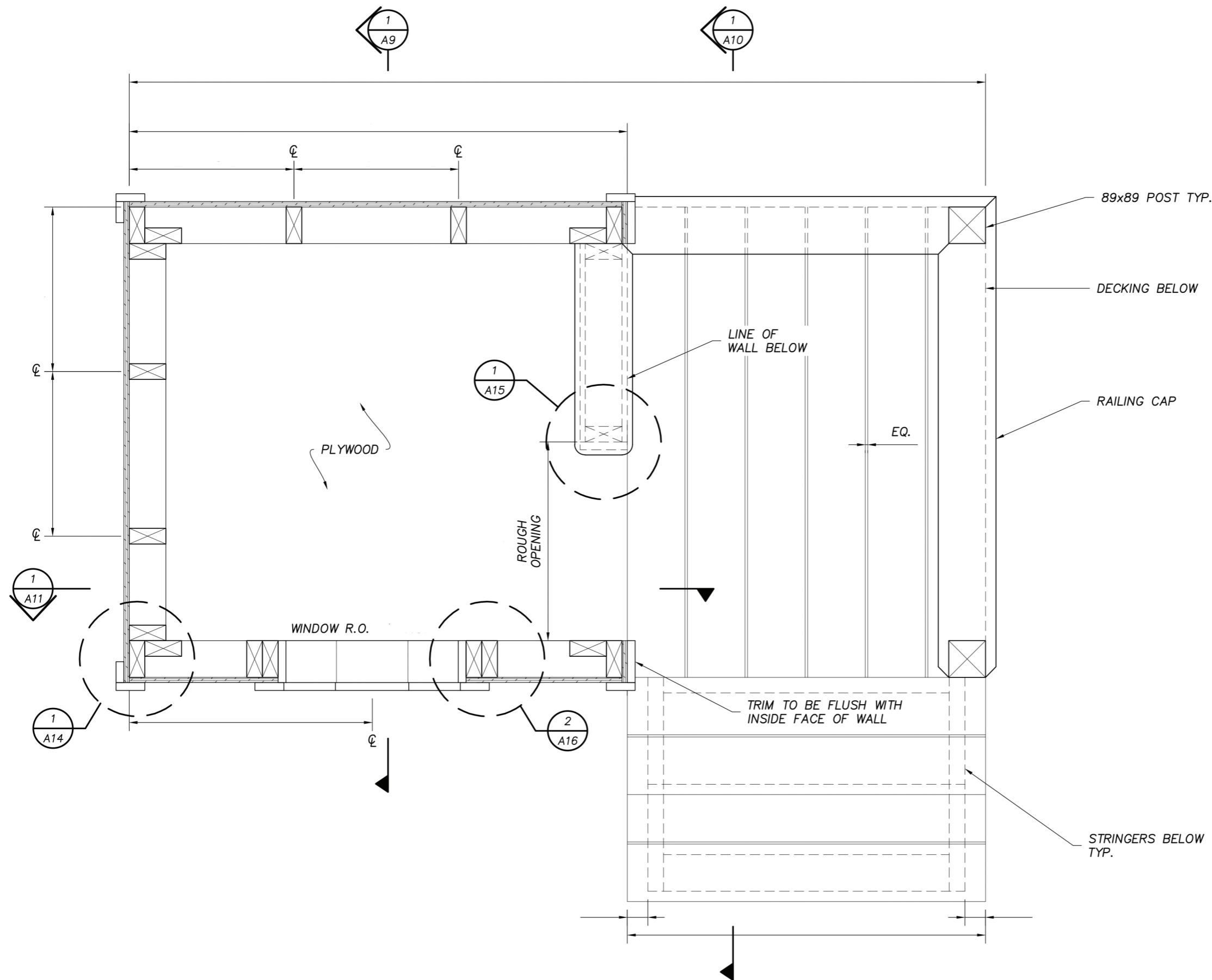

SkillsCompétences
Canada
 Regina2025

CLIENT NAME:
SKILLS CANADA

PROJECT NAME:
**NATIONAL CARPENTRY POST
SECONDARY**

DRAWING TITLE:
ISOMETRIC

DATE: MAR. 2022	SHEET No.
DRAWN BY: JAVA/AC	A1
SCALE: NOT TO SCALE	



1 **FLOOR PLAN**
A2

NO.	ISSUED FOR:	DATE
1	ISSUED FOR 50% REVIEW	MAR. 24, 2023
2	ISSUED FOR 99% REVIEW	MAY. 01, 2023
3	REVISED FOR 99%	MAY. 11, 2023
4	ISSUED FOR CONSTRUCTION	MAY. 17, 2023

GENERAL NOTES:
FOR EDUCATIONAL PURPOSES ONLY

1. ALL SHEATHING STOCK TO BE VERIFIED ON SITE.
2. WALL FRAMING = 38x89
3. FINISH/SOFTEN ALL EXPOSED EDGES.
4. ALL FRAMING AT O/C.
5. ALL DIMENSIONS TO FRAMING UNLESS NOTED OTHERWISE.
6. ALL FASTENING FOR THIS PROJECT TO BE AS PER THE NATIONAL BUILDING CODE.
7. DECKING AND STAIR TREADS TO BE FASTENED WITH SCREWS.

CONCENTRIC
CLIENT-CENTRIC. CHALLENGE DRIVEN.
626 QUEEN ELIZABETH WAY
SUITE 201, IQALUIT, NU X0A 0H0
(867) 979-4180

SkillsCompétences
Canada
Regina2025

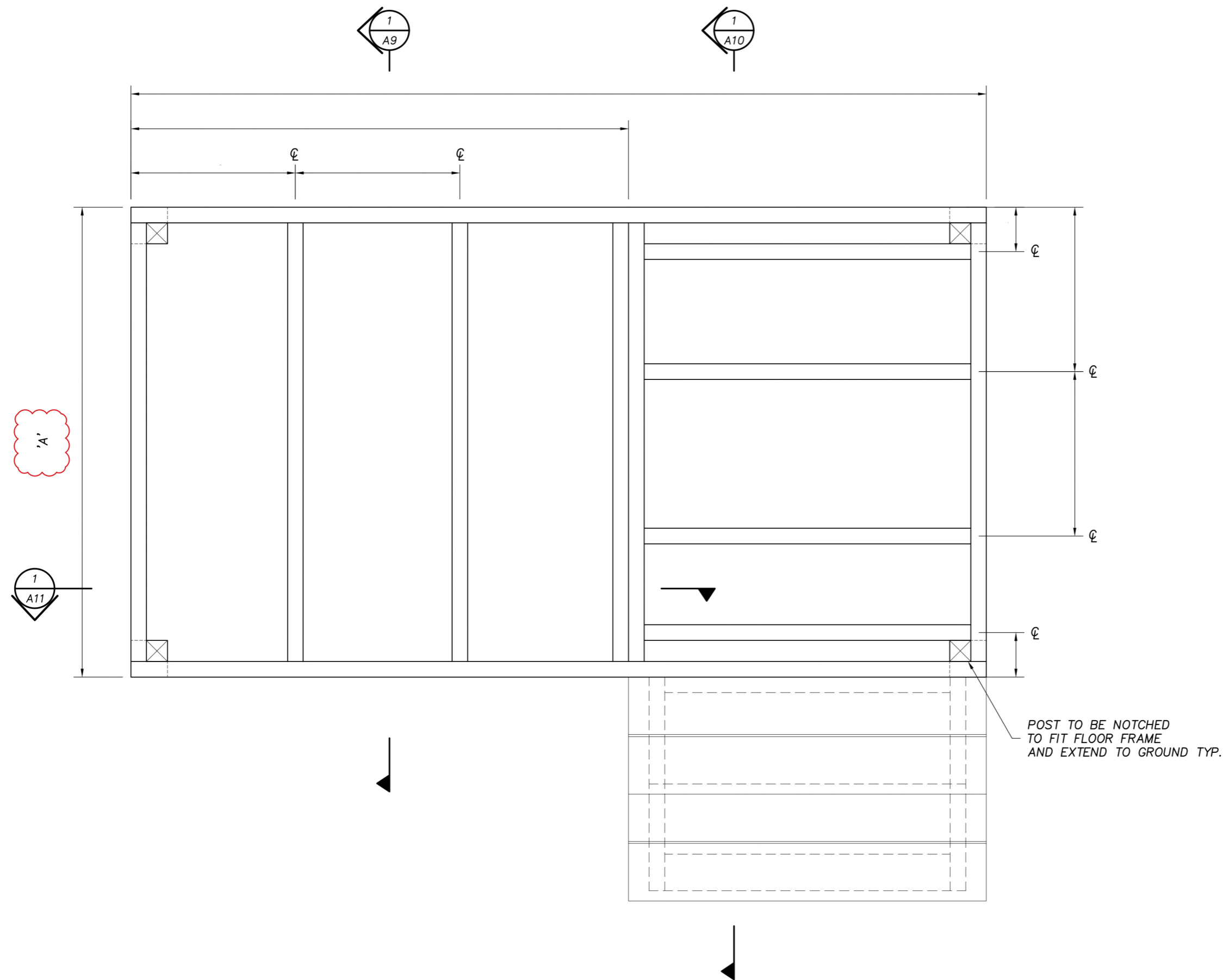
CLIENT NAME:
SKILLS CANADA

PROJECT NAME:
NATIONAL CARPENTRY POST SECONDARY

DRAWING TITLE:
FLOOR PLAN

DATE: MAR. 2022 | SHEET No.
DRAWN BY: JAVA/AC
SCALE: NOT TO SCALE

A2



1 FLOOR JOIST PLAN
A3

NO.	ISSUED FOR:	DATE
1	ISSUED FOR 50% REVIEW	MAR. 24, 2023
2	ISSUED FOR 99% REVIEW	MAY. 01, 2023
3	REVISED FOR 99%	MAY. 11, 2023
4	ISSUED FOR CONSTRUCTION	MAY. 17, 2023

GENERAL NOTES:
FOR EDUCATIONAL PURPOSES ONLY

- FLOOR FRAMING = 38x89

CONCENTRIC
CLIENT-CENTRIC. CHALLENGE DRIVEN.
626 QUEEN ELIZABETH WAY
SUITE 201, IQALUIT, NU X0A 0H0
(867) 979-4180

**SkillsCompétences
Canada**
Regina2025

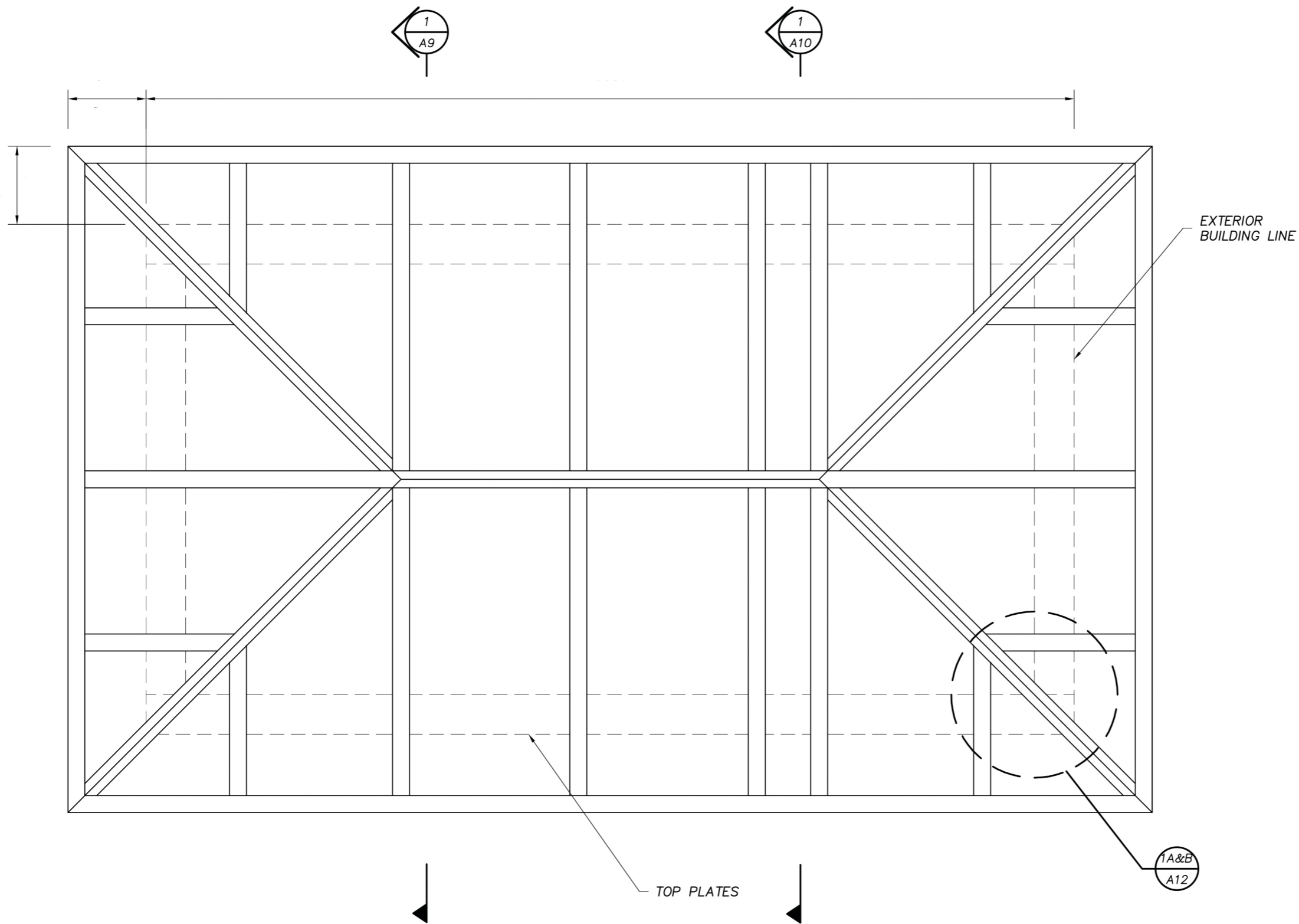
CLIENT NAME:
SKILLS CANADA

PROJECT NAME:
**NATIONAL CARPENTRY POST
SECONDARY**

DRAWING TITLE:
FLOOR JOIST PLAN

DATE: MAR. 2022
DRAWN BY: JAVA/AC
SCALE: NOT TO SCALE

SHEET No.
A3



1 ROOF FRAMING PLAN
A4

NO.	ISSUED FOR:	DATE
1	ISSUED FOR 50% REVIEW	MAR. 24, 2023
2	ISSUED FOR 99% REVIEW	MAY. 01, 2023
3	REVISED FOR 99%	MAY. 11, 2023
4	ISSUED FOR CONSTRUCTION	MAY. 17, 2023

GENERAL NOTES:
FOR EDUCATIONAL PURPOSES ONLY

- NO SHEATHING FOR ROOF
- RIDGE AND HIP STOCK = 38x140
- HIPS AND RIDGES TO BE BACK-BEVELLED; NOT DROPPED

CONCENTRIC
CLIENT-CENTRIC. CHALLENGE DRIVEN.
626 QUEEN ELIZABETH WAY
SUITE 201, IQALUIT, NU X0A 0H0
(867) 979-4180

SkillsCompétences
Canada
Regina2025

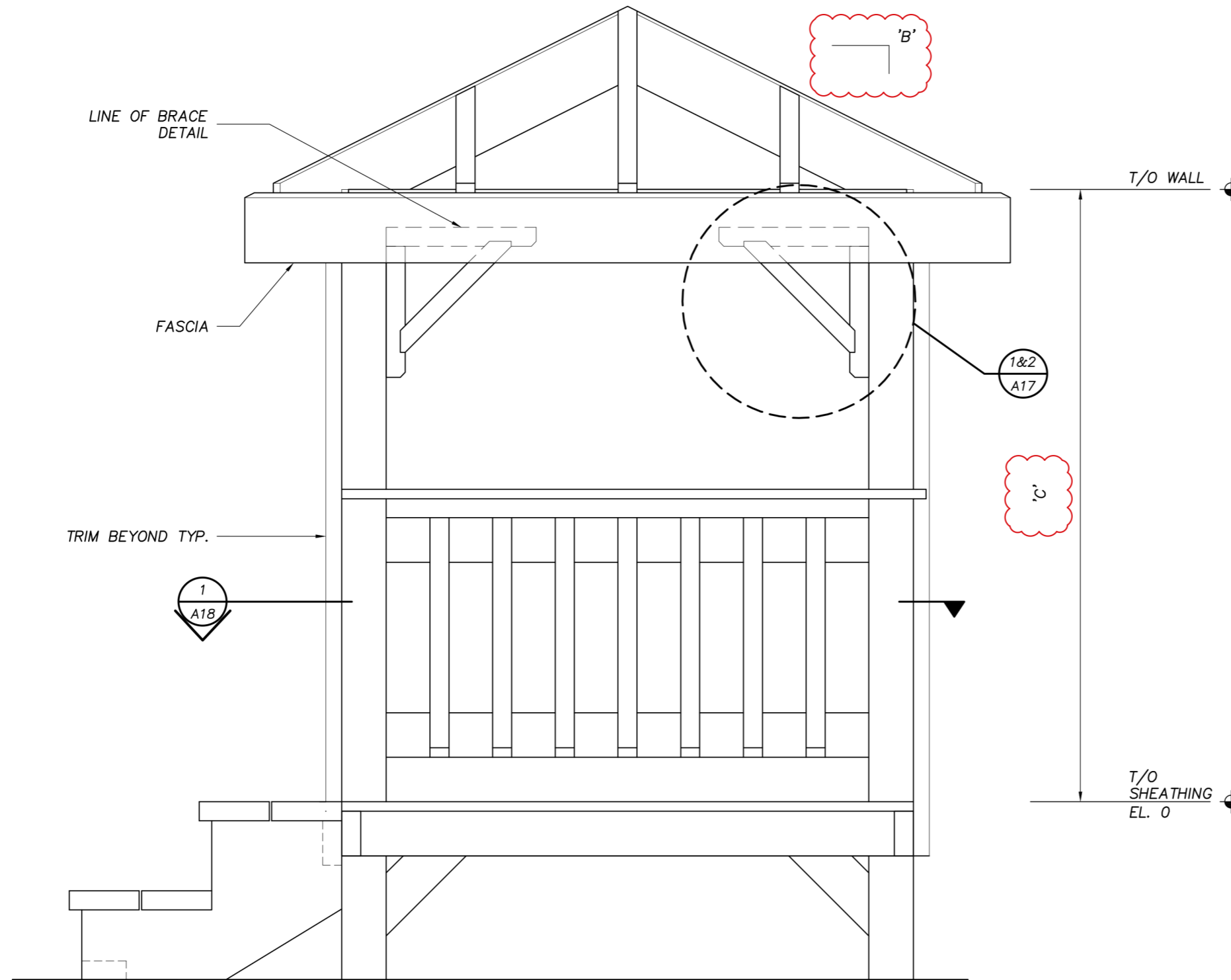
CLIENT NAME:
SKILLS CANADA

PROJECT NAME:
**NATIONAL CARPENTRY POST
SECONDARY**

DRAWING TITLE:
ROOF FRAMING PLAN

DATE: MAR. 2022
DRAWN BY: JAVA/AC
SCALE: NOT TO SCALE

SHEET No.
A4



1 FRONT ELEVATION
A5

NO.	ISSUED FOR:	DATE
1	ISSUED FOR 50% REVIEW	MAR. 24, 2023
2	ISSUED FOR 99% REVIEW	MAY. 01, 2023
3	REVISED FOR 99%	MAY. 11, 2023
4	ISSUED FOR CONSTRUCTION	MAY. 17, 2023

GENERAL NOTES:
FOR EDUCATIONAL PURPOSES ONLY

1. T/O = TOP OF

CONCENTRIC
CLIENT-CENTRIC. CHALLENGE DRIVEN.
626 QUEEN ELIZABETH WAY
SUITE 201, IQALUIT, NU X0A 0H0
(867) 979-4180

SkillsCompétences
Canada
Regina2025

CLIENT NAME:
SKILLS CANADA

PROJECT NAME:
**NATIONAL CARPENTRY POST
SECONDARY**

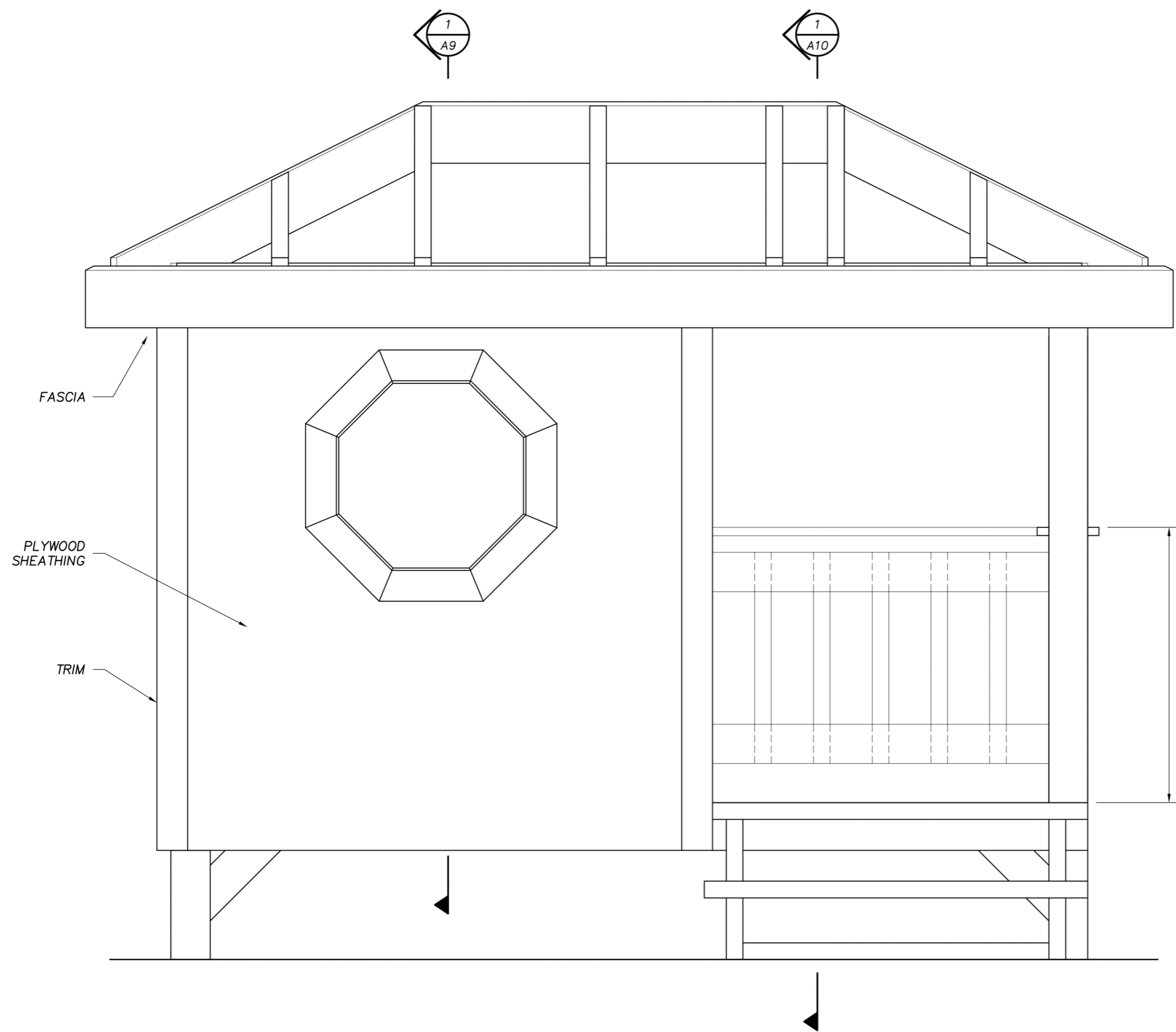
DRAWING TITLE:
FRONT ELEVATION

DATE: MAR. 2022 SHEET No.

DRAWN BY: JAVA/AC

SCALE: NOT TO SCALE

A5



NO.	ISSUED FOR:	DATE
1	ISSUED FOR 50% REVIEW	MAR. 24, 2023
2	ISSUED FOR 99% REVIEW	MAY. 01, 2023
3	REVISED FOR 99%	MAY. 11, 2023
4	ISSUED FOR CONSTRUCTION	MAY. 17, 2023

GENERAL NOTES:
FOR EDUCATIONAL PURPOSES ONLY

- FASCIA CORNERS TO BE MITRED.

CONCENTRIC
 CLIENT-CENTRIC. CHALLENGE DRIVEN.
 626 QUEEN ELIZABETH WAY
 SUITE 201, IQALUIT, NU X0A 0H0
 (867) 979-4180

**SkillsCompétences
 Canada**
 Regina2025

CLIENT NAME:
SKILLS CANADA

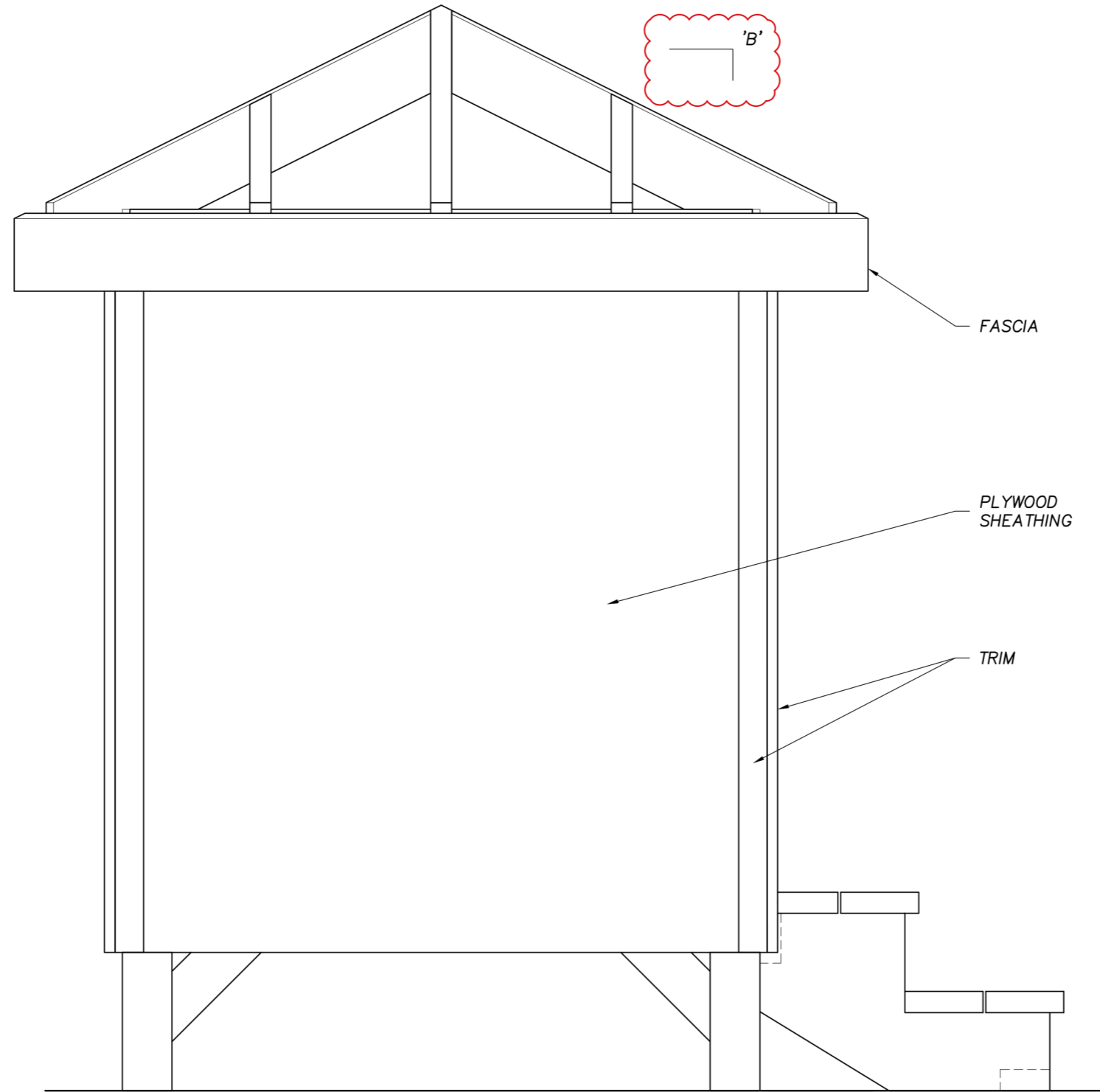
PROJECT NAME:
**NATIONAL CARPENTRY POST
 SECONDARY**

DRAWING TITLE:
LEFT SIDE ELEVATION

DATE: MAR. 2022
 DRAWN BY: JAVA/AC
 SCALE: NOT TO SCALE

SHEET No.
A6

1
 A6 **LEFT SIDE ELEVATION**



1 REAR ELEVATION
A7

NO.	ISSUED FOR:	DATE
1	ISSUED FOR 50% REVIEW	MAR. 24, 2023
2	ISSUED FOR 99% REVIEW	MAY. 01, 2023
3	REVISED FOR 99%	MAY. 11, 2023
4	ISSUED FOR CONSTRUCTION	MAY. 17, 2023

GENERAL NOTES:
FOR EDUCATIONAL PURPOSES ONLY

- FASCIA CORNERS TO BE MITRED.

CONCENTRIC
CLIENT-CENTRIC. CHALLENGE DRIVEN.
626 QUEEN ELIZABETH WAY
SUITE 201, IQALUIT, NU X0A 0H0
(867) 979-4180

SkillsCompétences
Canada
Regina2025

CLIENT NAME:
SKILLS CANADA

PROJECT NAME:
**NATIONAL CARPENTRY POST
SECONDARY**

DRAWING TITLE:
REAR ELEVATION

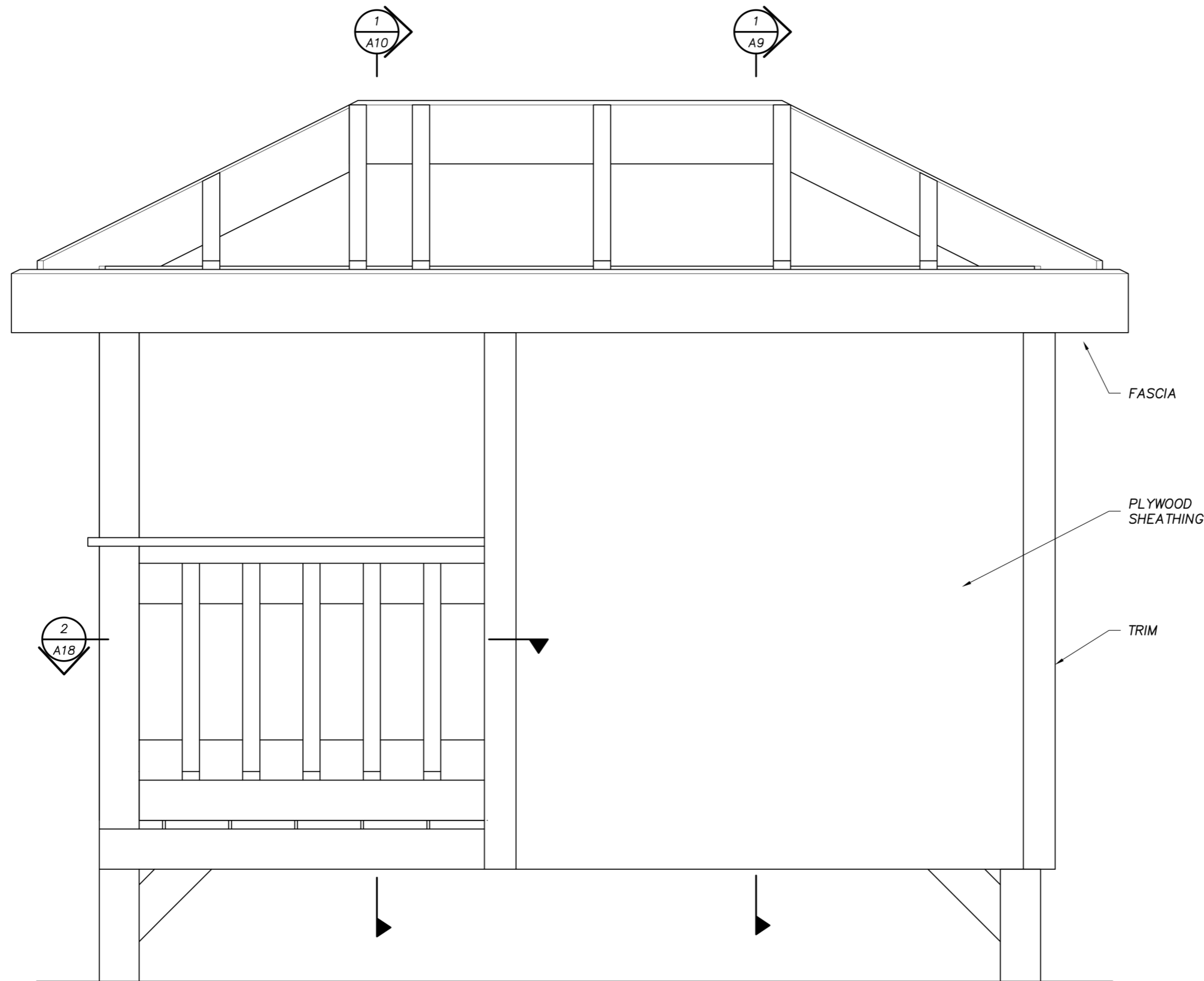
DATE: MAR. 2022

DRAWN BY: JAVA/AC

SCALE: NOT TO SCALE

SHEET No.

A7



NO.	ISSUED FOR:	DATE
1	ISSUED FOR 50% REVIEW	MAR. 24, 2023
2	ISSUED FOR 99% REVIEW	MAY. 01, 2023
3	REVISED FOR 99%	MAY. 11, 2023
4	ISSUED FOR CONSTRUCTION	MAY. 17, 2023

GENERAL NOTES:
FOR EDUCATIONAL PURPOSES ONLY

- FASCIA CORNERS TO BE MITRED.

CONCENTRIC
 CLIENT-CENTRIC. CHALLENGE DRIVEN.
 626 QUEEN ELIZABETH WAY
 SUITE 201, IQALUIT, NU X0A 0H0
 (867) 979-4180

SkillsCompétences
Canada
 Regina2025

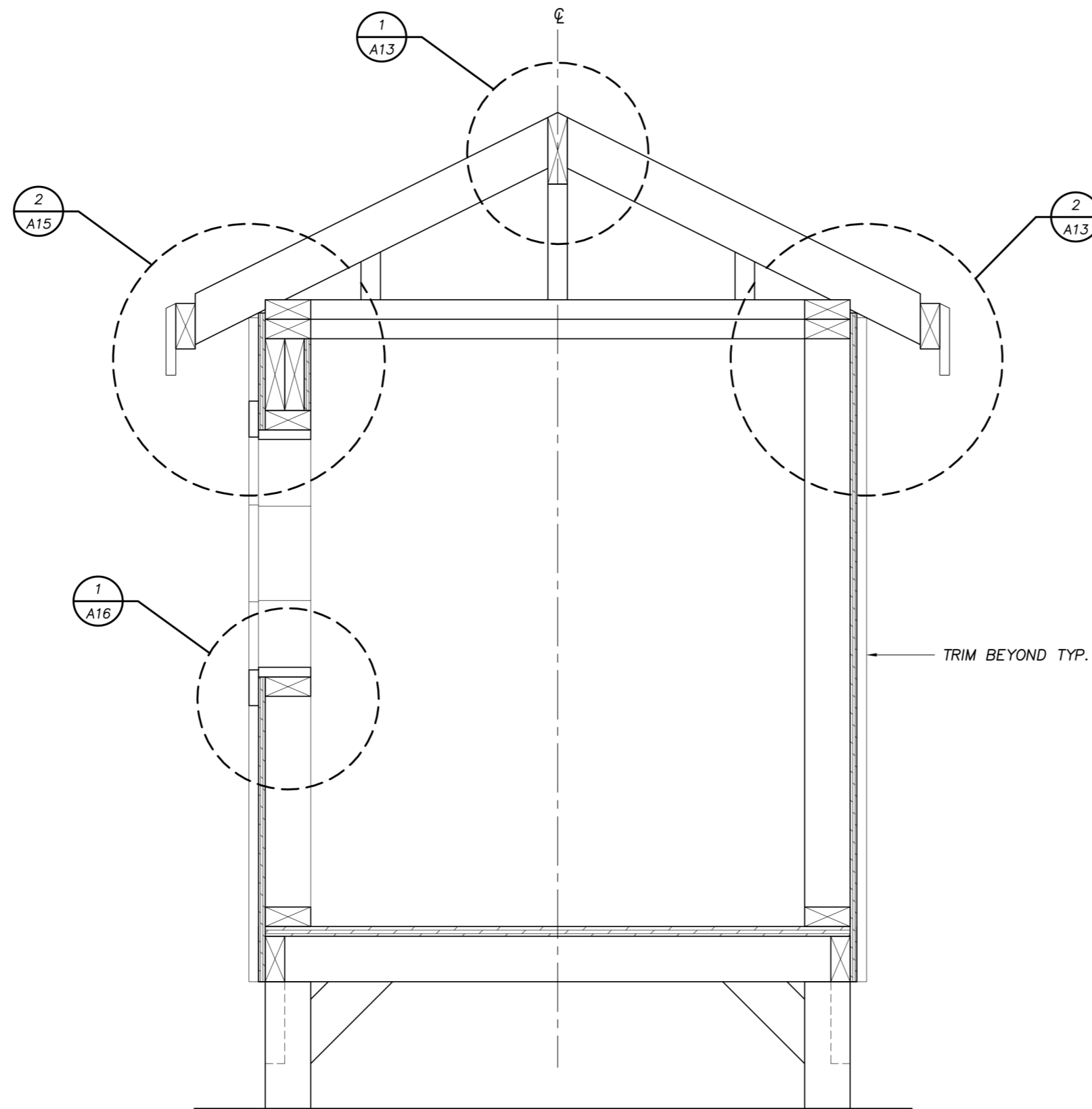
CLIENT NAME:
SKILLS CANADA

PROJECT NAME:
**NATIONAL CARPENTRY POST
 SECONDARY**

DRAWING TITLE:
RIGHT SIDE ELEVATION

DATE: MAR. 2022
 DRAWN BY: JAVA/AC
 SCALE: NOT TO SCALE

SHEET No.
A8



1 SECTION (A2, A3, A4, A6, A8)
A9

NO.	ISSUED FOR:	DATE
1	ISSUED FOR 50% REVIEW	MAR. 24, 2023
2	ISSUED FOR 99% REVIEW	MAY. 01, 2023
3	REVISED FOR 99%	MAY. 11, 2023
4	ISSUED FOR CONSTRUCTION	MAY. 17, 2023

GENERAL NOTES:
FOR EDUCATIONAL PURPOSES ONLY

CONCENTRIC
CLIENT-CENTRIC. CHALLENGE DRIVEN.
626 QUEEN ELIZABETH WAY
SUITE 201, IQALUIT, NU X0A 0H0
(867) 979-4180

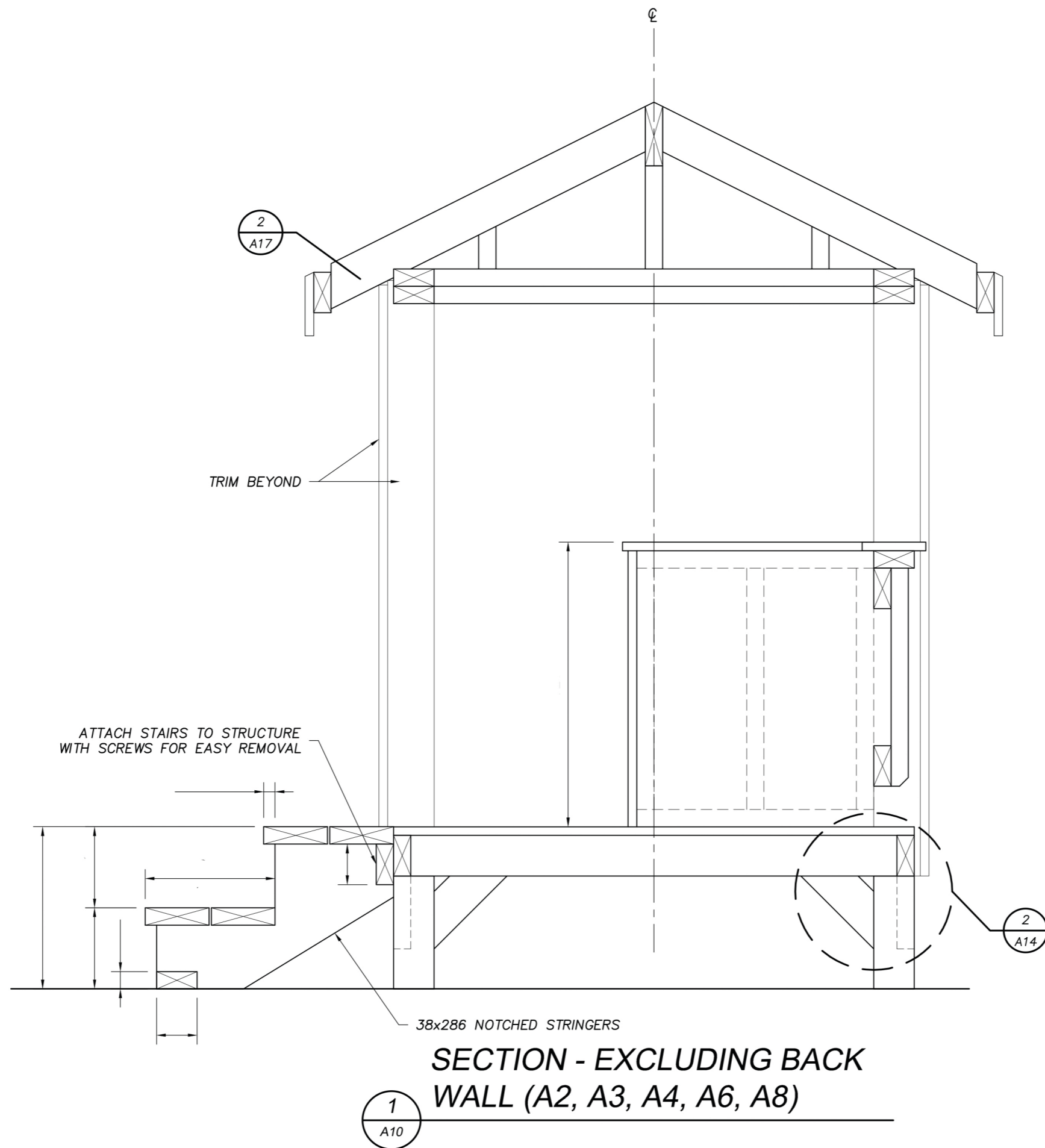
**SkillsCompétences
Canada**
Regina2025

CLIENT NAME:
SKILLS CANADA

PROJECT NAME:
**NATIONAL CARPENTRY POST
SECONDARY**

DRAWING TITLE:
SECTION

DATE: MAR. 2022	SHEET No.
DRAWN BY: JAVA/AC	A9
SCALE: NOT TO SCALE	



NO.	ISSUED FOR:	DATE
1	ISSUED FOR 50% REVIEW	MAR. 24, 2023
2	ISSUED FOR 99% REVIEW	MAY. 01, 2023
3	REVISED FOR 99%	MAY. 11, 2023
4	ISSUED FOR CONSTRUCTION	MAY. 17, 2023

GENERAL NOTES:
FOR EDUCATIONAL PURPOSES ONLY

- ATTACH STAIRS TO STRUCTURE WITH SCREWS FOR EASY REMOVAL.

CONCENTRIC
 CLIENT-CENTRIC. CHALLENGE DRIVEN.
 626 QUEEN ELIZABETH WAY
 SUITE 201, IQALUIT, NU X0A 0H0
 (867) 979-4180

SkillsCompétences
Canada
 Regina2025

CLIENT NAME:
SKILLS CANADA

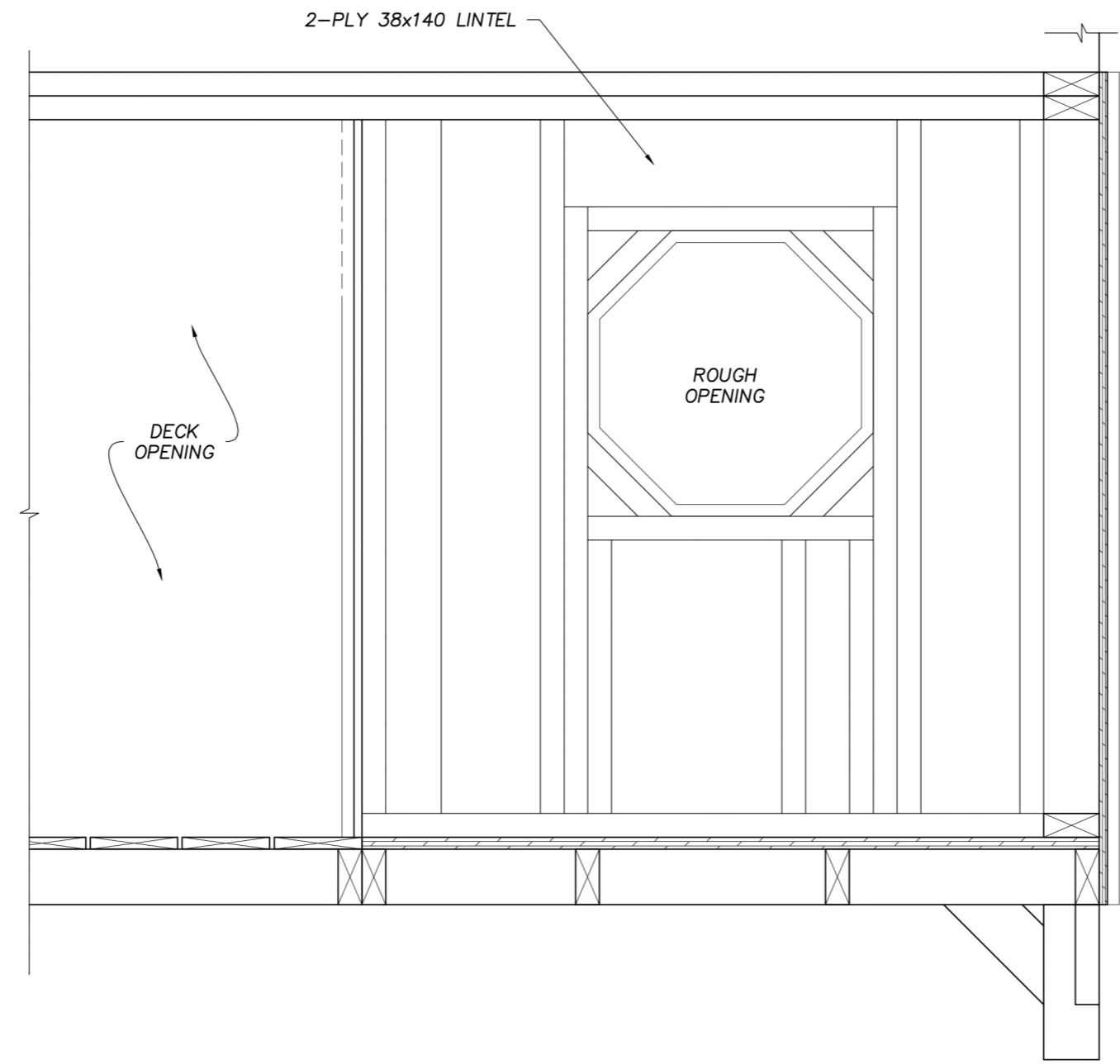
PROJECT NAME:
**NATIONAL CARPENTRY POST
 SECONDARY**

DRAWING TITLE:
SECTION

DATE: MAR. 2022 | SHEET No.
 DRAWN BY: JAVA/AC | **A10**
 SCALE: NOT TO SCALE

NO.	ISSUED FOR:	DATE
1	ISSUED FOR 50% REVIEW	MAR. 24, 2023
2	ISSUED FOR 99% REVIEW	MAY. 01, 2023
3	REVISED FOR 99%	MAY. 11, 2023
4	ISSUED FOR CONSTRUCTION	MAY. 17, 2023

GENERAL NOTES:
FOR EDUCATIONAL PURPOSES ONLY



1 SECTION (A2, A3)
A11

CONCENTRIC
CLIENT-CENTRIC. CHALLENGE DRIVEN.
626 QUEEN ELIZABETH WAY
SUITE 201, IQALUIT, NU X0A 0H0
(867) 979-4180

**SkillsCompétences
Canada**
Regina2025

CLIENT NAME:
SKILLS CANADA

PROJECT NAME:
**NATIONAL CARPENTRY POST
SECONDARY**

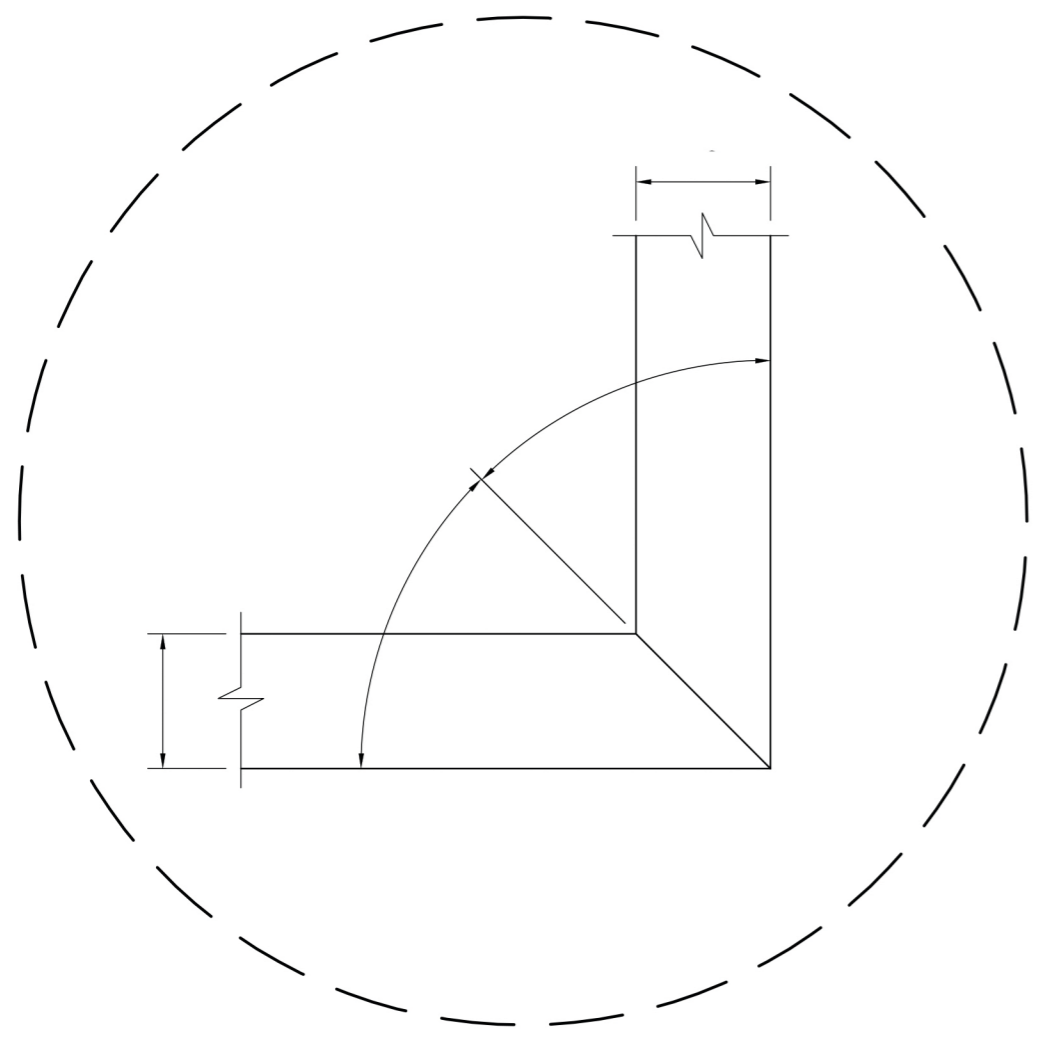
DRAWING TITLE:
SECTION

DATE: MAR. 2022
DRAWN BY: JAVA/AC
SCALE: NOT TO SCALE

SHEET No.
A11

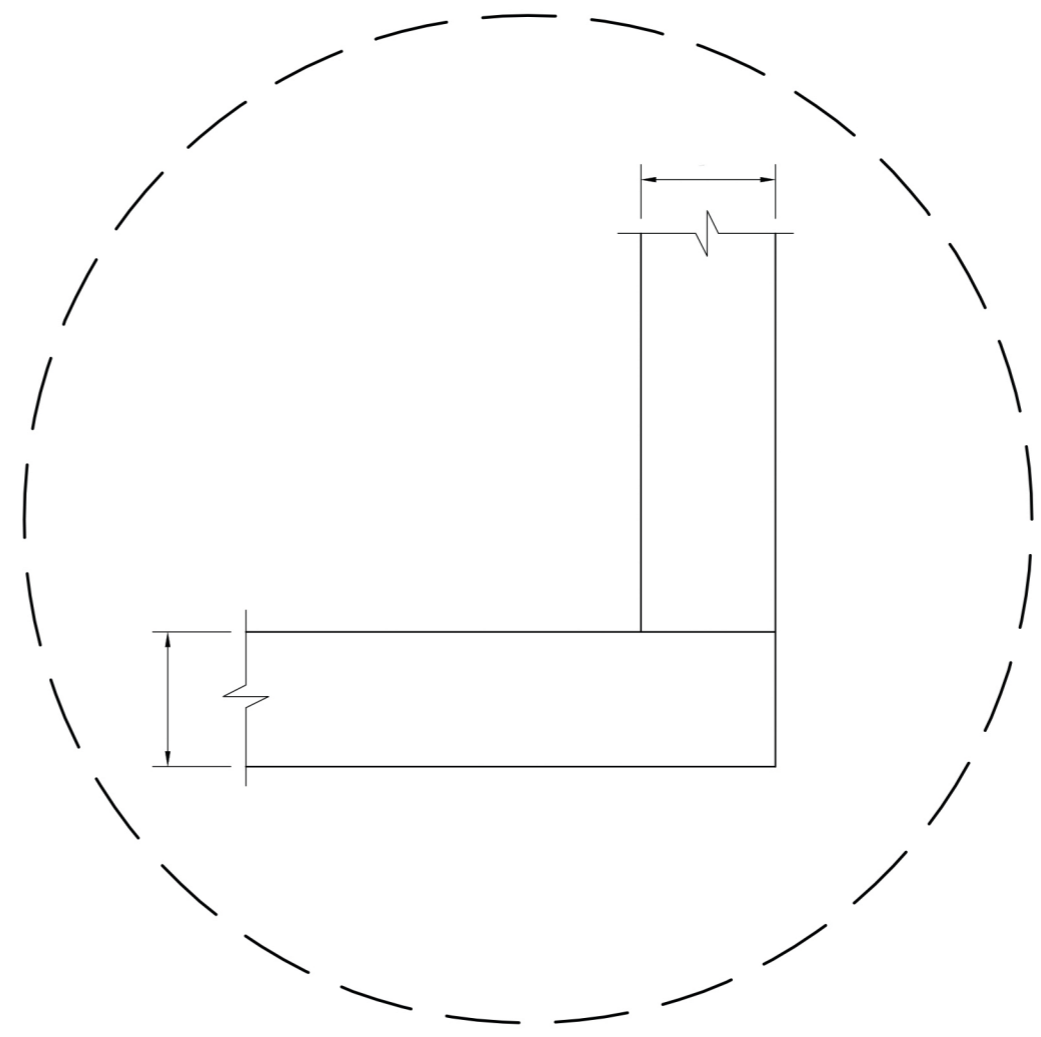
NO.	ISSUED FOR:	DATE
1	ISSUED FOR 50% REVIEW	MAR. 24, 2023
2	ISSUED FOR 99% REVIEW	MAY. 01, 2023
3	REVISED FOR 99%	MAY. 11, 2023
4	ISSUED FOR CONSTRUCTION	MAY. 17, 2023

GENERAL NOTES:
FOR EDUCATIONAL PURPOSES ONLY



DETAIL OF LOWER TOP PLATE CONNECTION AT POSTS

1A
A4



DETAIL OF UPPER TOP PLATE CONNECTION AT POSTS

1B
A4

CONCENTRIC
CLIENT-CENTRIC. CHALLENGE DRIVEN.
626 QUEEN ELIZABETH WAY
SUITE 201, IQALUIT, NU X0A 0H0
(867) 979-4180

**SkillsCompétences
Canada**
Regina2025

CLIENT NAME:
SKILLS CANADA

PROJECT NAME:
**NATIONAL CARPENTRY POST
SECONDARY**

DRAWING TITLE:
DETAILS

DATE: MAR. 2022 SHEET No.

DRAWN BY: JAVA/AC

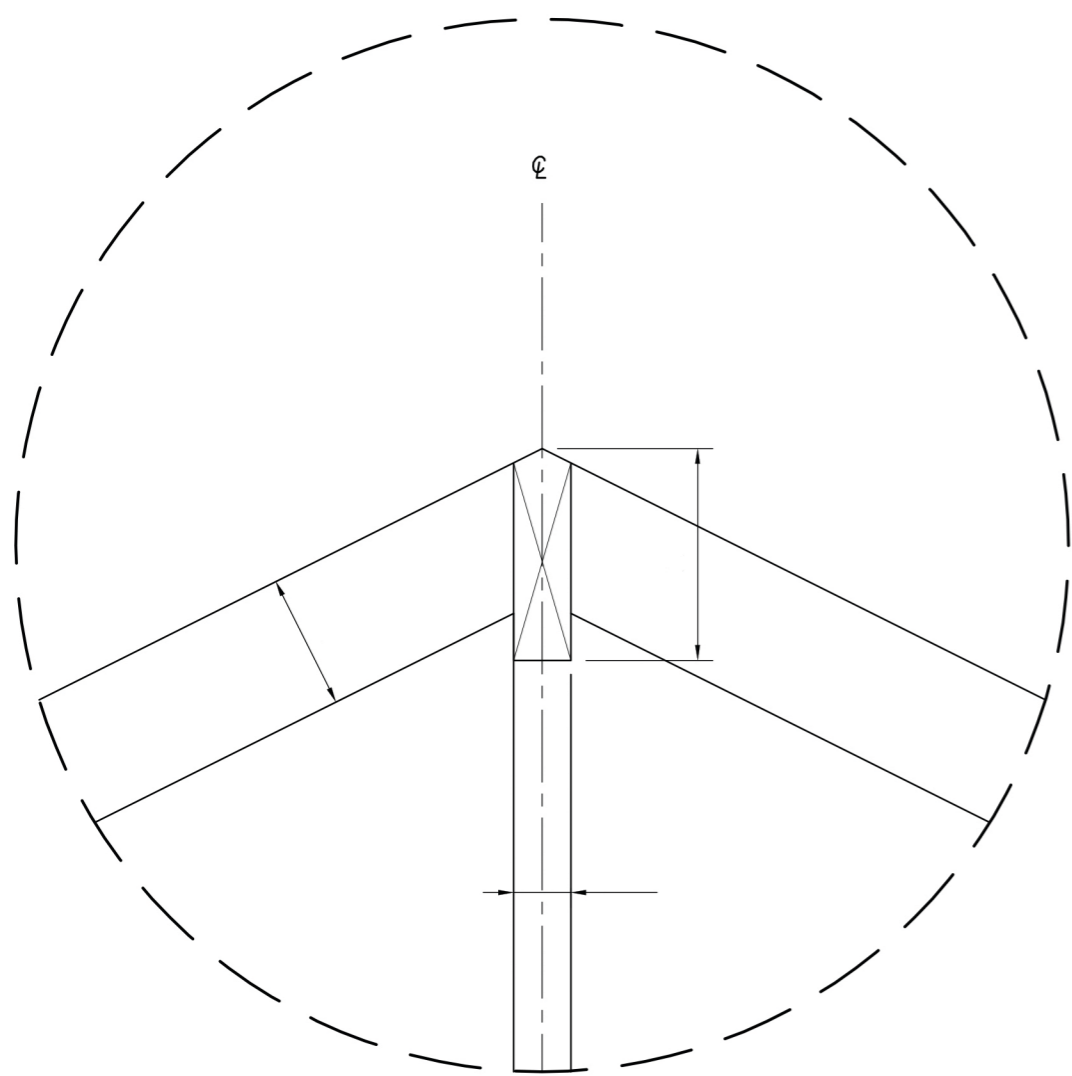
SCALE: NOT TO SCALE

A12

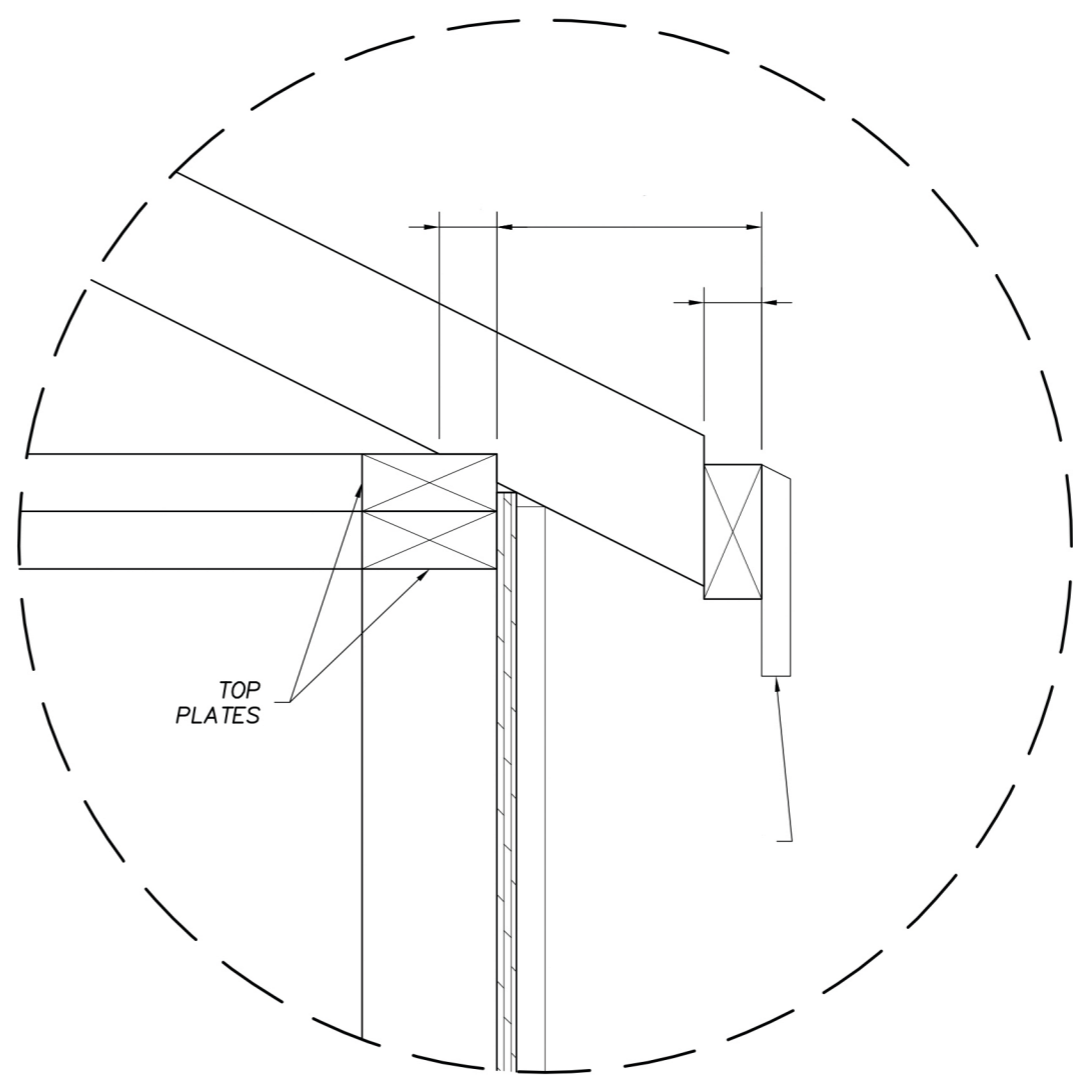
NO.	ISSUED FOR:	DATE
1	ISSUED FOR 50% REVIEW	MAR. 24, 2023
2	ISSUED FOR 99% REVIEW	MAY. 01, 2023
3	REVISED FOR 99%	MAY. 11, 2023
4	ISSUED FOR CONSTRUCTION	MAY. 17, 2023

GENERAL NOTES:
FOR EDUCATIONAL PURPOSES ONLY

1. FASCIA CORNERS TO BE MITRED.
2. ALL FINISHING ITEMS TO BE NAILED WITH FINISHING NAILS.



1
A9 RIDGE DETAIL



2
A9 TYP. EAVE DETAIL

CONCENTRIC
CLIENT-CENTRIC. CHALLENGE DRIVEN.
626 QUEEN ELIZABETH WAY
SUITE 201, IQALUIT, NU X0A 0H0
(867) 979-4180

SkillsCompétences
Canada
Regina2025

CLIENT NAME:
SKILLS CANADA

PROJECT NAME:
**NATIONAL CARPENTRY POST
SECONDARY**

DRAWING TITLE:
DETAILS

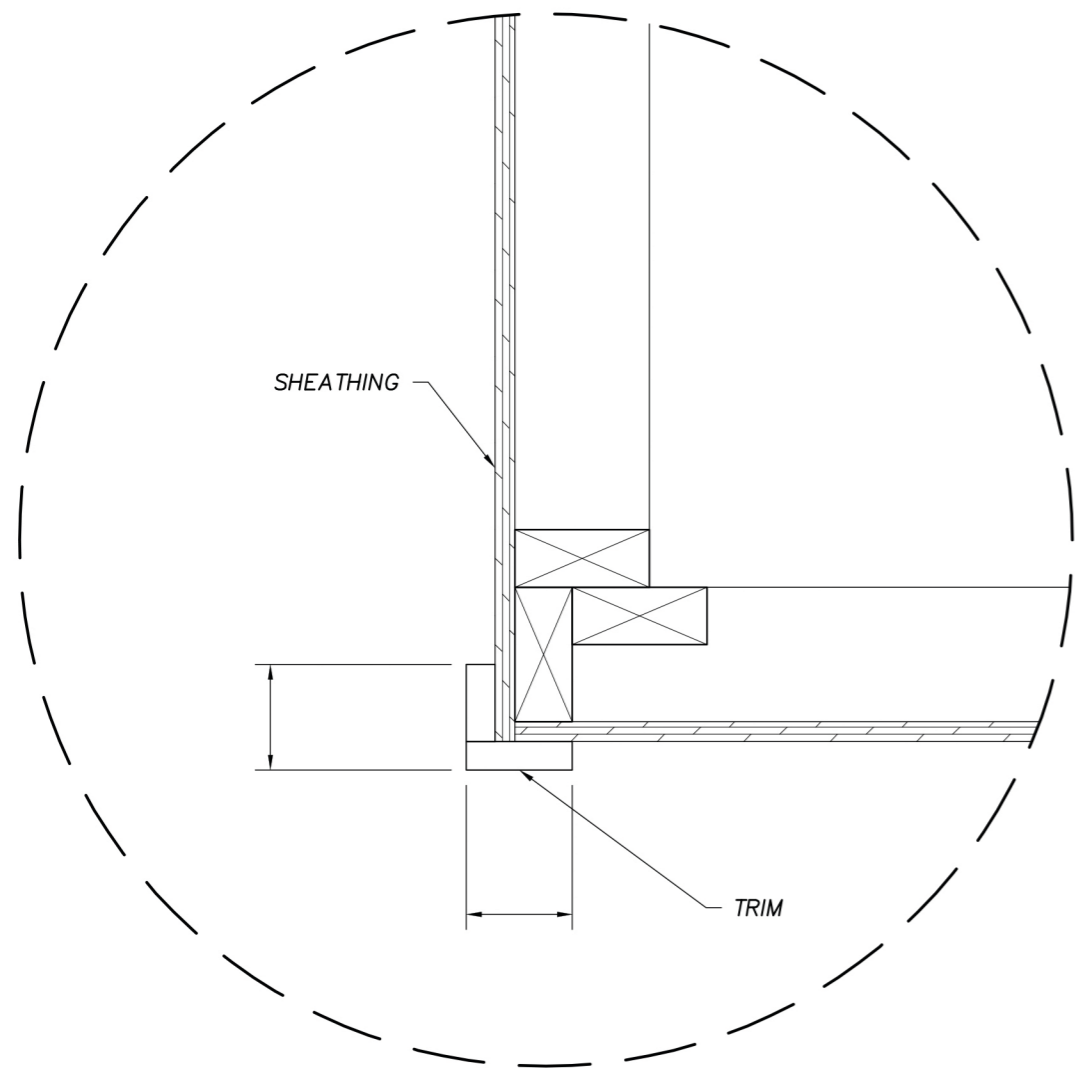
DATE: MAR. 2022
DRAWN BY: JAVA/AC
SCALE: NOT TO SCALE

SHEET No.
A13

NO.	ISSUED FOR:	DATE
1	ISSUED FOR 50% REVIEW	MAR. 24, 2023
2	ISSUED FOR 99% REVIEW	MAY. 01, 2023
3	REVISED FOR 99%	MAY. 11, 2023
4	ISSUED FOR CONSTRUCTION	MAY. 17, 2023

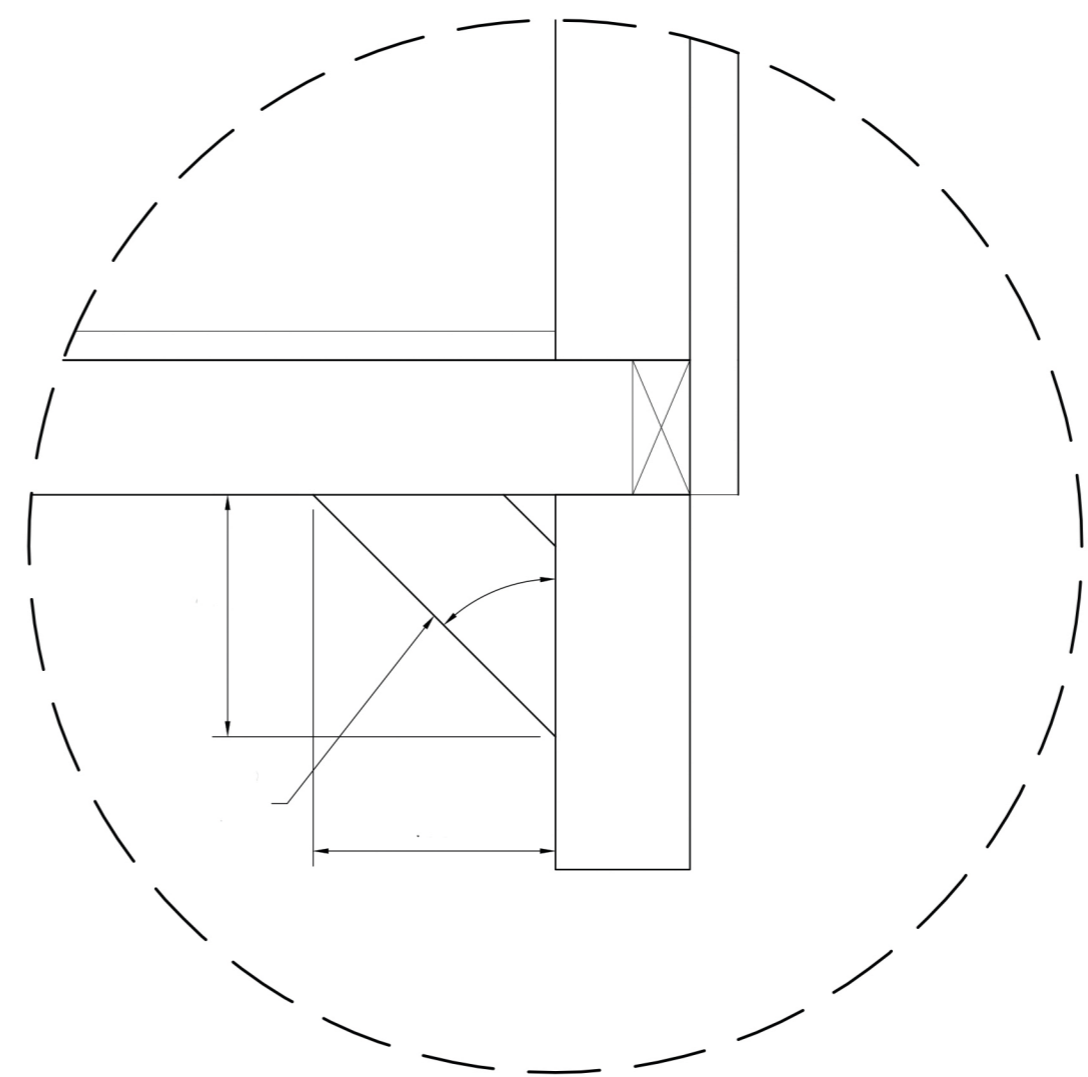
GENERAL NOTES:
FOR EDUCATIONAL PURPOSES ONLY

- ALL FINISHING ITEMS TO BE NAILED WITH FINISHING NAILS.



1
A2

TYP. WALL @ CORNER



2
A10

TYPICAL BRACE DETAIL

CONCENTRIC
 CLIENT-CENTRIC. CHALLENGE DRIVEN.
 626 QUEEN ELIZABETH WAY
 SUITE 201, IQALUIT, NU X0A 0H0
 (867) 979-4180

SkillsCompétences
Canada
 Regina2025

CLIENT NAME:
SKILLS CANADA

PROJECT NAME:
**NATIONAL CARPENTRY POST
 SECONDARY**

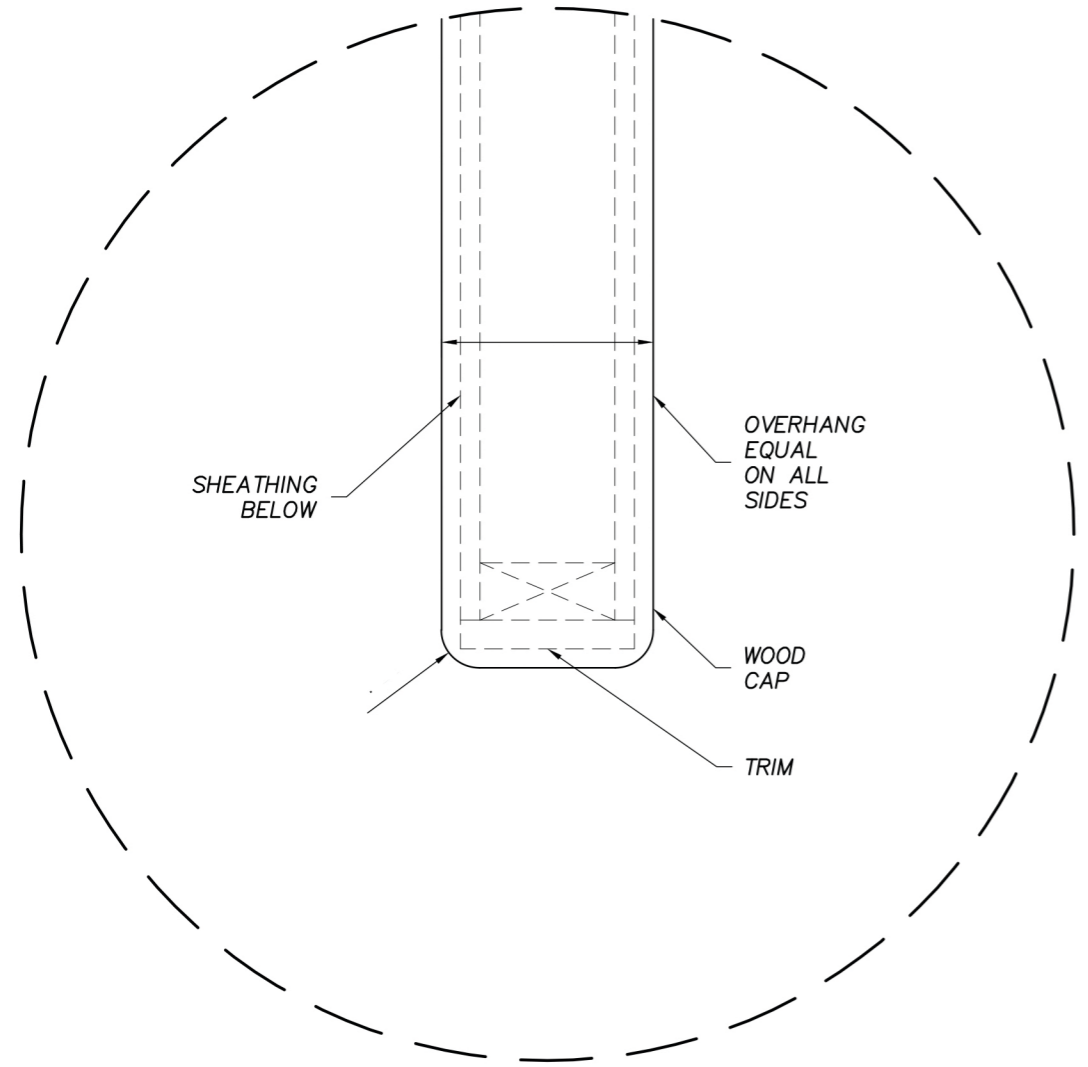
DRAWING TITLE:
DETAILS

DATE: MAR. 2022	SHEET No.
DRAWN BY: JAVA/AC	A14
SCALE: NOT TO SCALE	

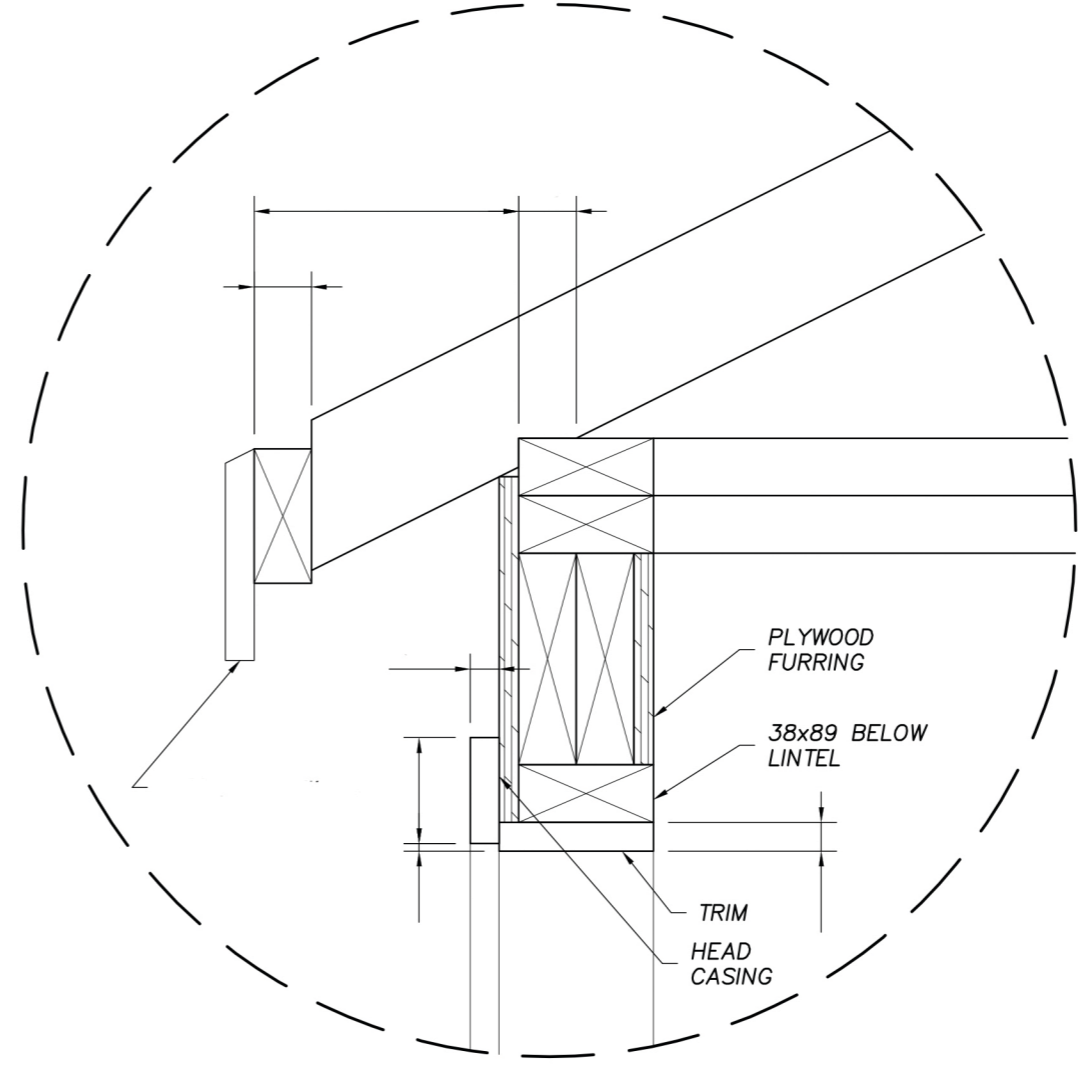
NO.	ISSUED FOR:	DATE
1	ISSUED FOR 50% REVIEW	MAR. 24, 2023
2	ISSUED FOR 99% REVIEW	MAY. 01, 2023
3	REVISED FOR 99%	MAY. 11, 2023
4	ISSUED FOR CONSTRUCTION	MAY. 17, 2023

GENERAL NOTES:
FOR EDUCATIONAL PURPOSES ONLY

1. FASCIA CORNERS TO BE MITRED.
2. ALL FINISHING ITEMS TO BE NAILED WITH FINISHING NAILS.



1
A2 WALL CAP DETAIL



2
A9 EAVE DETAIL @ WINDOW LINTEL

CONCENTRIC
CLIENT-CENTRIC. CHALLENGE DRIVEN.
626 QUEEN ELIZABETH WAY
SUITE 201, IQALUIT, NU X0A 0H0
(867) 979-4180

SkillsCompétences
Canada
Regina2025

CLIENT NAME:
SKILLS CANADA

PROJECT NAME:
**NATIONAL CARPENTRY POST
SECONDARY**

DRAWING TITLE:
DETAILS

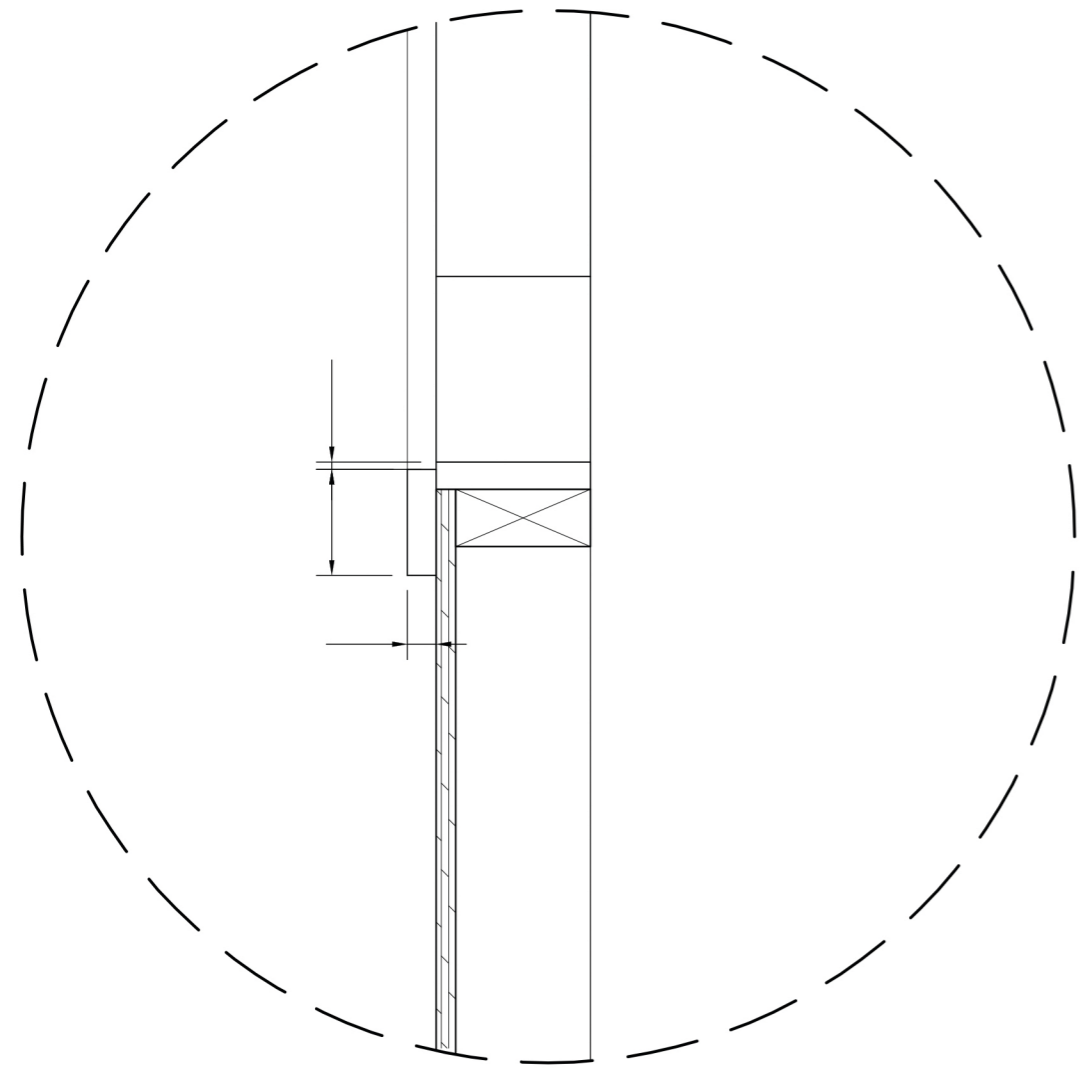
DATE: MAR. 2022
DRAWN BY: JAVA/AC
SCALE: NOT TO SCALE

SHEET No.
A15

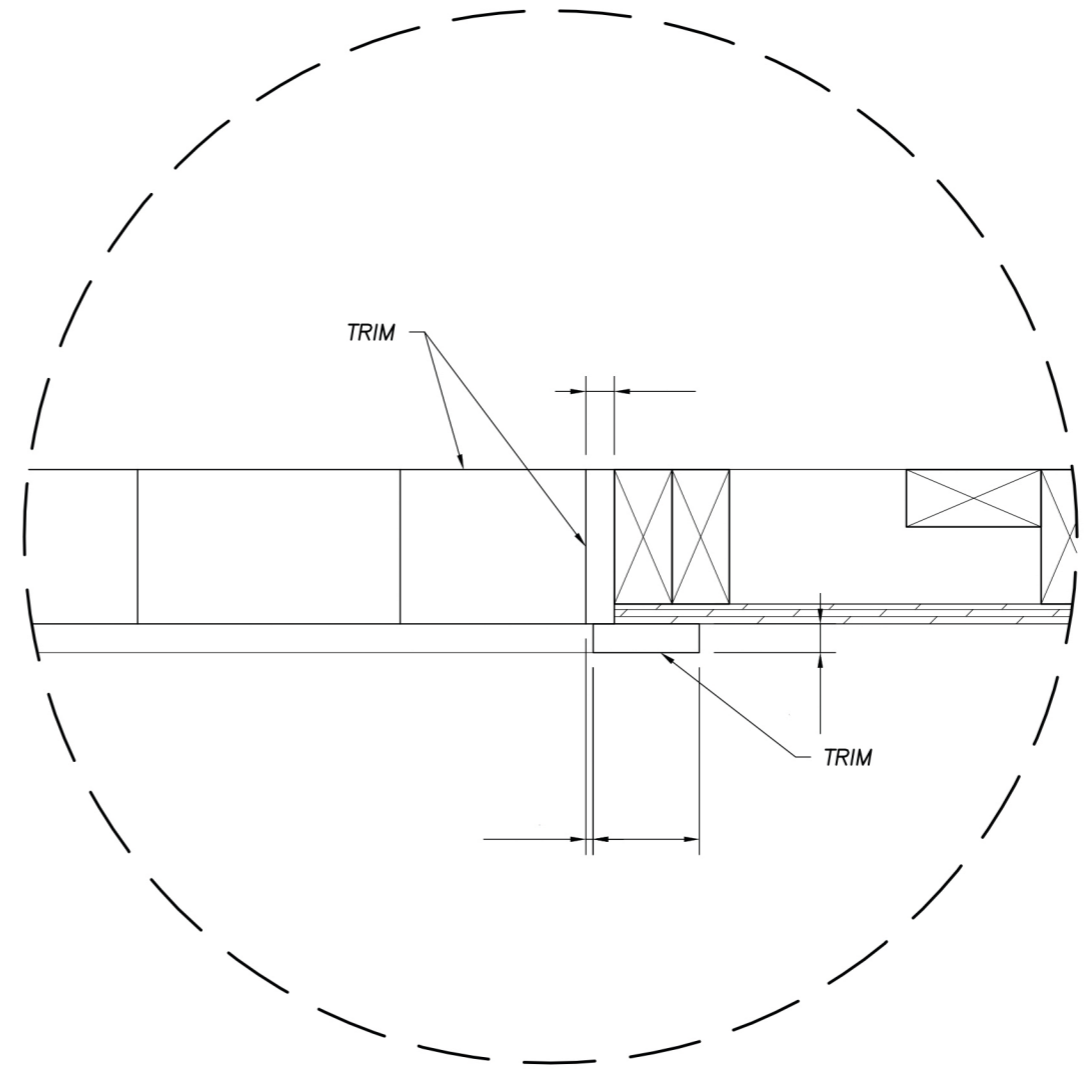
NO.	ISSUED FOR:	DATE
1	ISSUED FOR 50% REVIEW	MAR. 24, 2023
2	ISSUED FOR 99% REVIEW	MAY. 01, 2023
3	REVISED FOR 99%	MAY. 11, 2023
4	ISSUED FOR CONSTRUCTION	MAY. 17, 2023

GENERAL NOTES:
FOR EDUCATIONAL PURPOSES ONLY

- FASCIA CORNERS TO BE MITRED.
- ALL FINISHING ITEMS TO BE NAILED WITH FINISHING NAILS.



1
A9 WINDOW SILL DETAIL



2
A2 WINDOW SILL PLAN DETAIL

CONCENTRIC
CLIENT-CENTRIC. CHALLENGE DRIVEN.
626 QUEEN ELIZABETH WAY
SUITE 201, IQALUIT, NU X0A 0H0
(867) 979-4180

SkillsCompétences
Canada
Regina2025

CLIENT NAME:
SKILLS CANADA

PROJECT NAME:
**NATIONAL CARPENTRY POST
SECONDARY**

DRAWING TITLE:
DETAILS

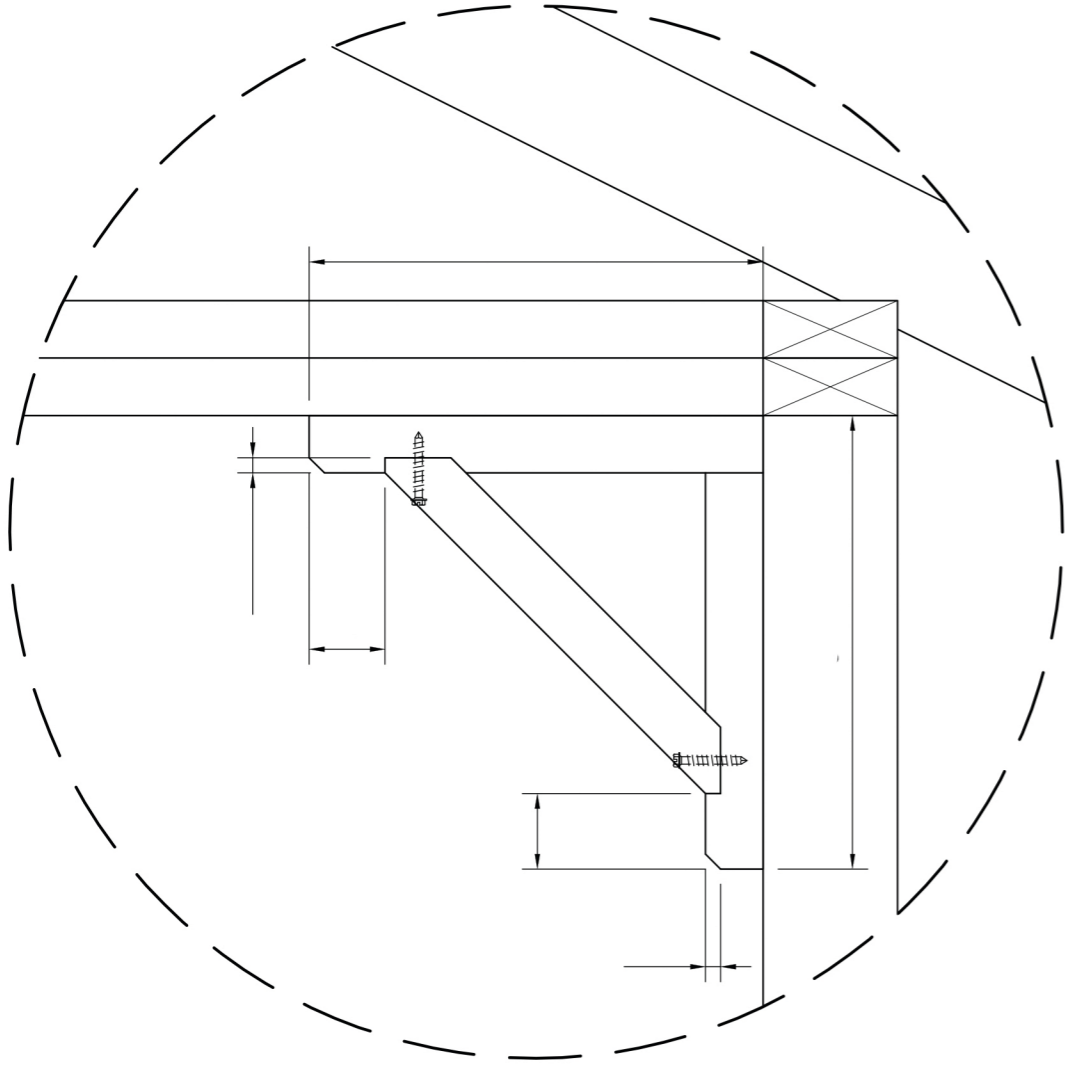
DATE: MAR. 2022
DRAWN BY: JAVA/AC
SCALE: NOT TO SCALE

SHEET No.
A16

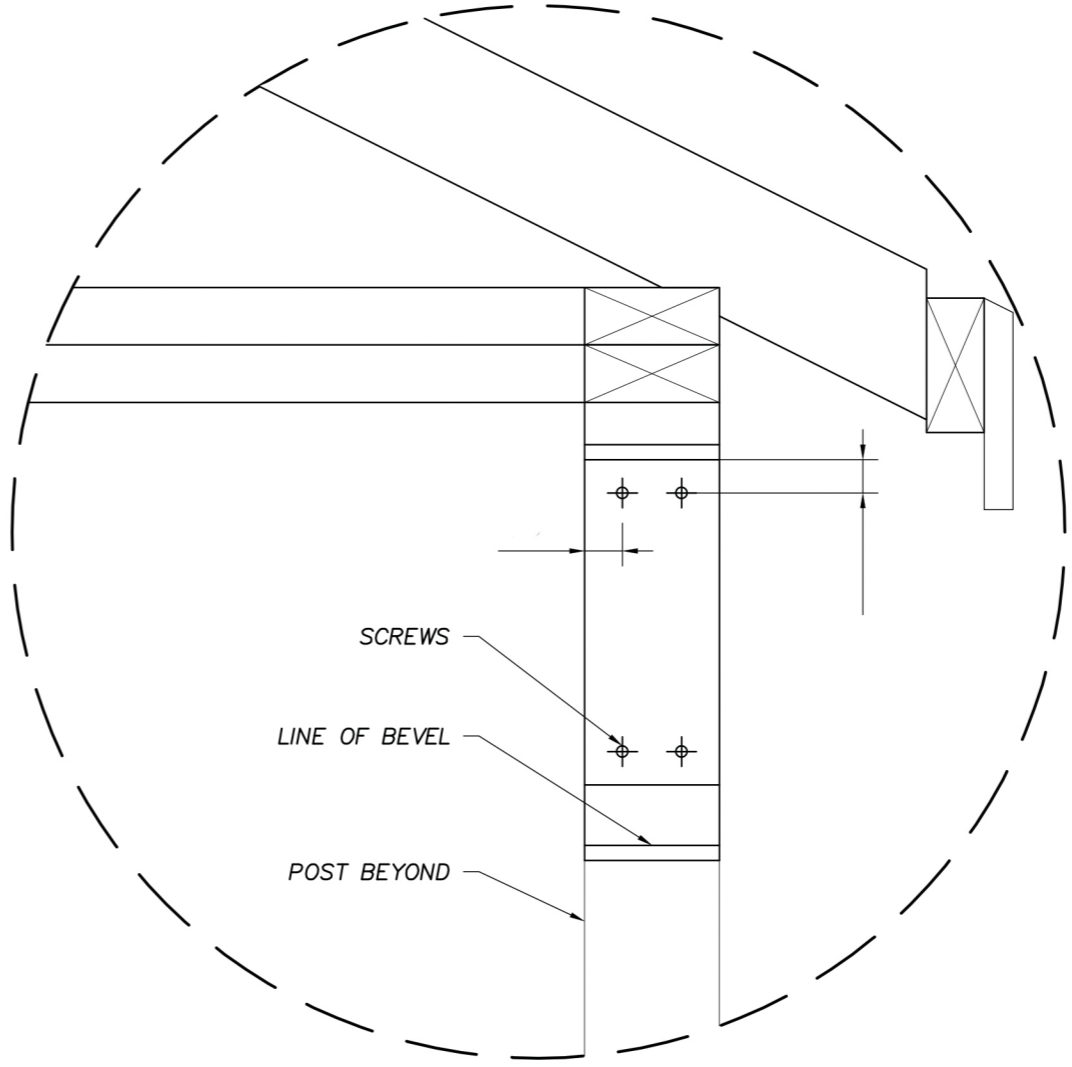
NO.	ISSUED FOR:	DATE
1	ISSUED FOR 50% REVIEW	MAR. 24, 2023
2	ISSUED FOR 99% REVIEW	MAY. 01, 2023
3	REVISED FOR 99%	MAY. 11, 2023
4	ISSUED FOR CONSTRUCTION	MAY. 17, 2023

GENERAL NOTES:
FOR EDUCATIONAL PURPOSES ONLY

- BRACKETS MADE FROM 38x89 CEDAR.



1
A5 TYPICAL KNEE BRACE DETAIL



2
A17 TYPICAL KNEE BRACE SECTION

CONCENTRIC
CLIENT-CENTRIC. CHALLENGE DRIVEN.
626 QUEEN ELIZABETH WAY
SUITE 201, IQALUIT, NU X0A 0H0
(867) 979-4180

SkillsCompétences
Canada
Regina2025

CLIENT NAME:
SKILLS CANADA

PROJECT NAME:
**NATIONAL CARPENTRY POST
SECONDARY**

DRAWING TITLE:
DETAILS

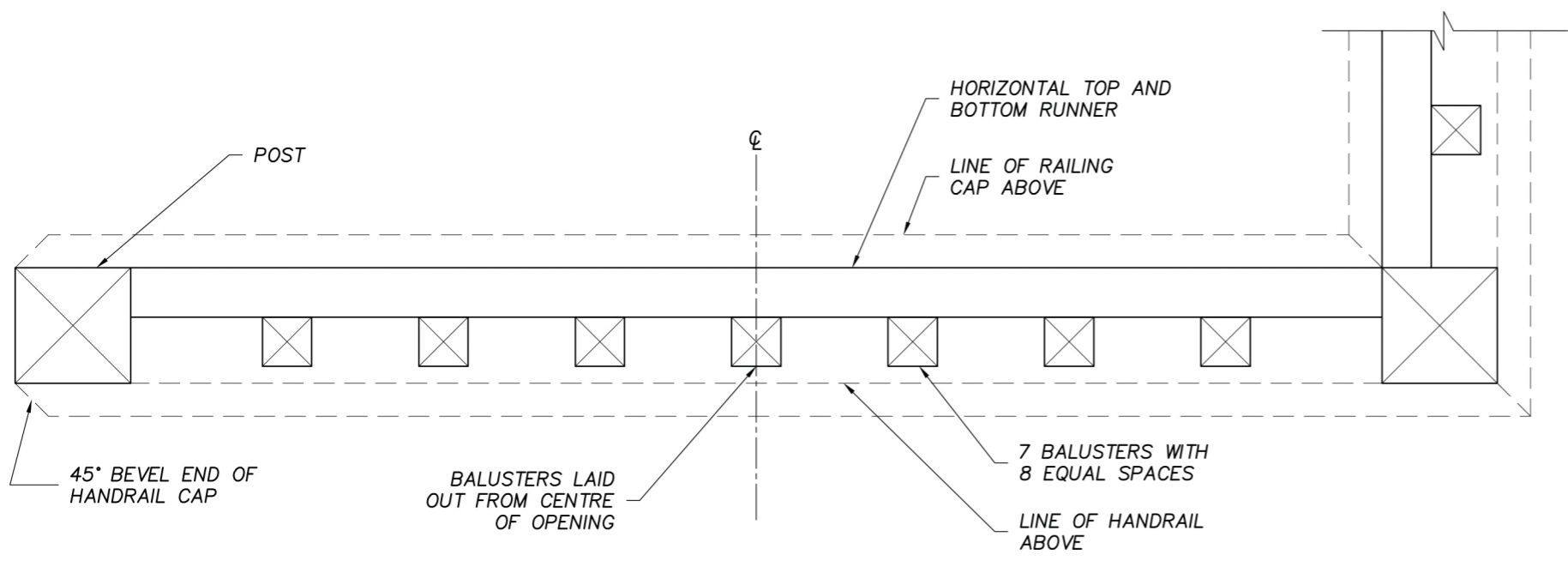
DATE: MAR. 2022
DRAWN BY: JAVA/AC
SCALE: NOT TO SCALE

SHEET No.
A17

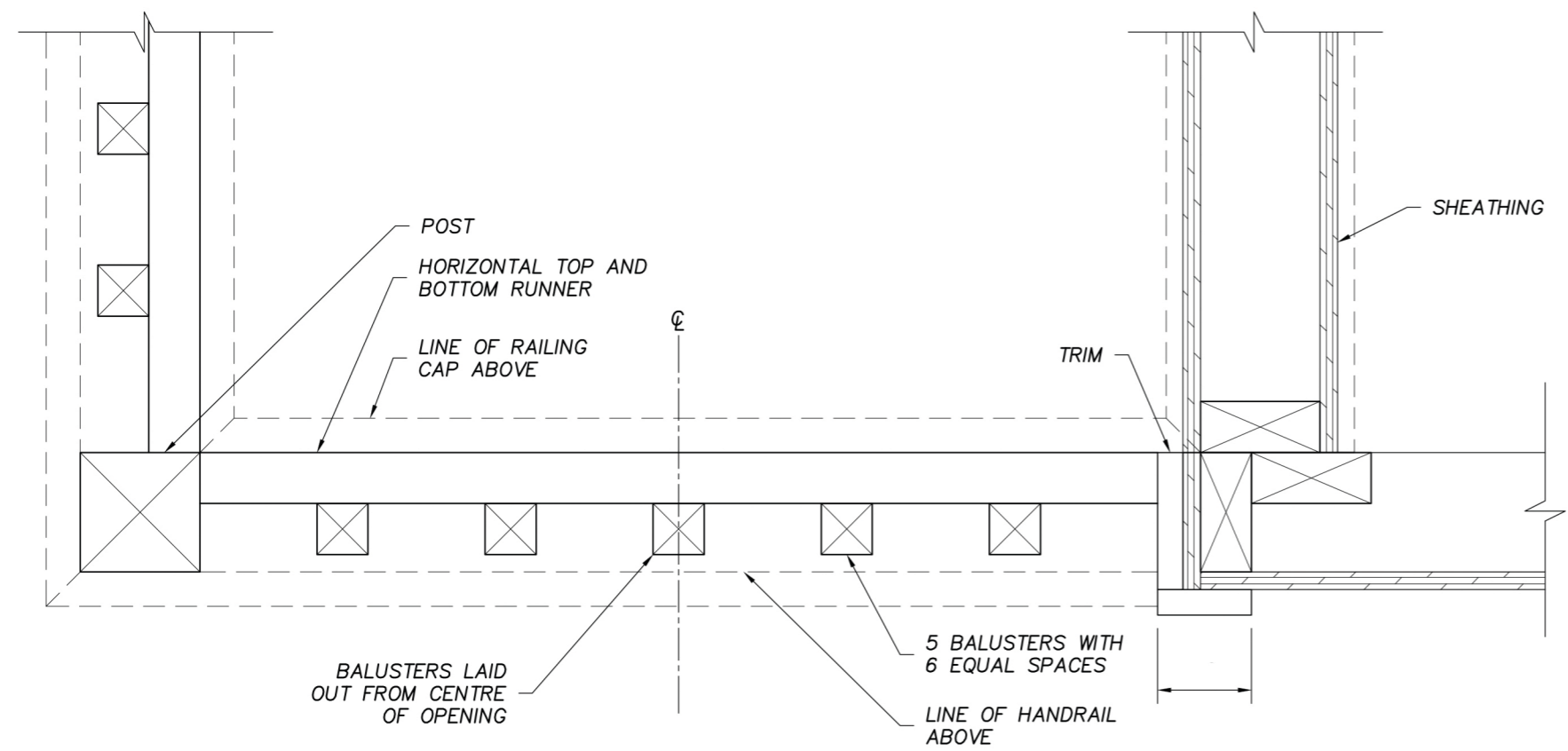
NO.	ISSUED FOR:	DATE
1	ISSUED FOR 50% REVIEW	MAR. 24, 2023
2	ISSUED FOR 99% REVIEW	MAY. 01, 2023
3	REVISED FOR 99%	MAY. 11, 2023
4	ISSUED FOR CONSTRUCTION	MAY. 17, 2023

**GENERAL NOTES:
FOR EDUCATIONAL PURPOSES ONLY**

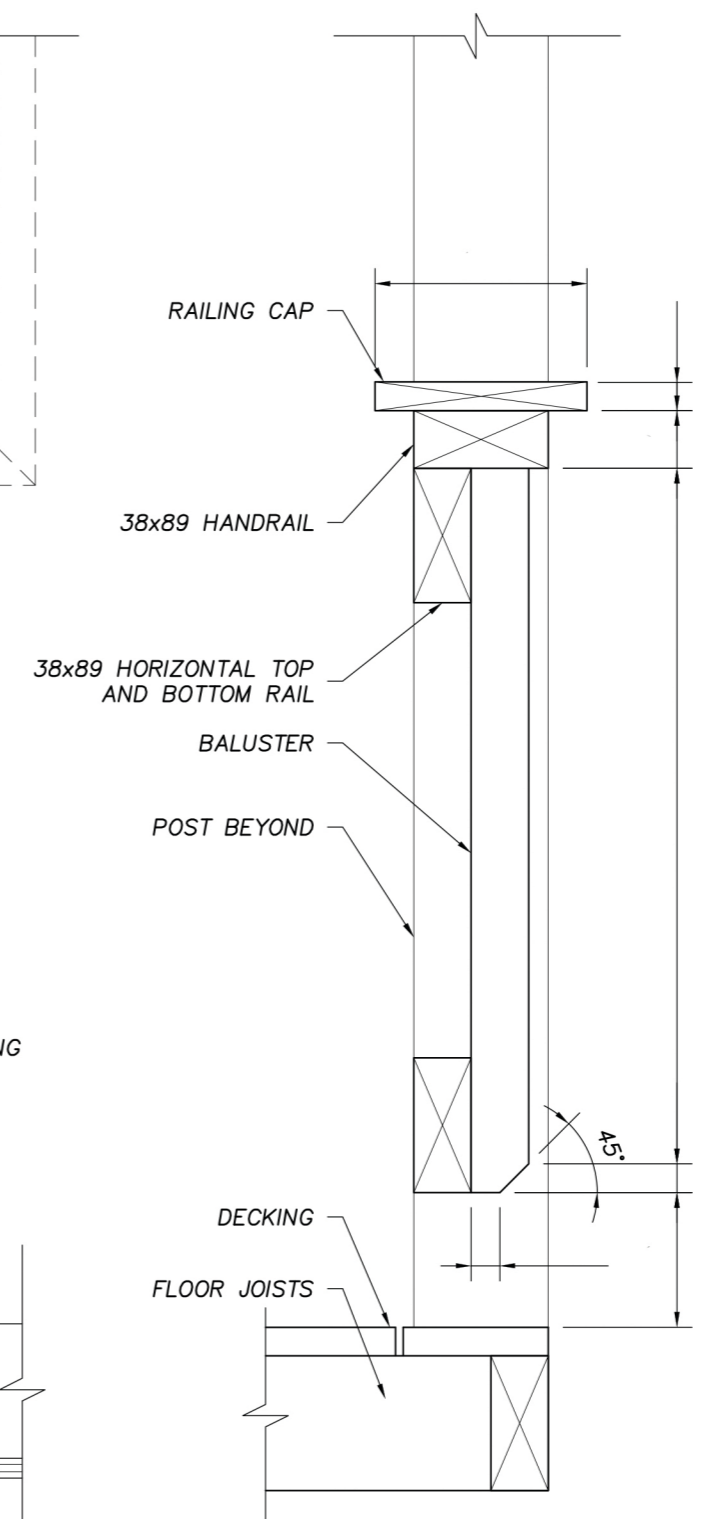
1. ALL GUARDRAIL PARTS TO BE SCREWED EXCEPT CAP.
2. RAILINGS TO BE CEDAR.
3. BALUSTERS: 38x38 CEDAR.



1 FRONT RAILING PLAN
A5



2 SIDE RAILING PLAN
A8



CONCENTRIC
CLIENT-CENTRIC. CHALLENGE DRIVEN.
626 QUEEN ELIZABETH WAY
SUITE 201, IQALUIT, NU X0A 0H0
(867) 979-4180

**SkillsCompétences
Canada**
Regina2025

CLIENT NAME:
SKILLS CANADA

PROJECT NAME:
**NATIONAL CARPENTRY POST
SECONDARY**

DRAWING TITLE:
DETAILS

DATE: MAR. 2022 SHEET No.
DRAWN BY: JAVA/AC
SCALE: NOT TO SCALE

A18