



TEST PROJECT / PROJET D'ÉPREUVE

# CARPENTRY

# CHARPENTERIE

SECONDARY /  
NIVEAU SECONDAIRE



General Notes  
FOR EDUCATIONAL  
PURPOSE ONLY

CONTENTS

- A1 - ISOMETRIC
- A2- PLANS
- A3- PLANS
- A4- ELEVATIONS
- A5- ELEVATIONS
- A6- SECTIONS
- A7- DETAILS
- A8- DETAILS
- A9- DETAILS
- A10- DETAILS

9	REVISIONS	JUN,29
8	REVISIONS	JAN,14
7	REVISIONS	JAN,09
6	REVISIONS	DEC,18
5	REVISIONS	DEC,11
4	FINAL DRAFT	NOV,09
3	REVISIONS	OCT,14
2	REVISIONS	SEP,08
1	DRAFT	AUG,15
No.	Revision/Issue	Date

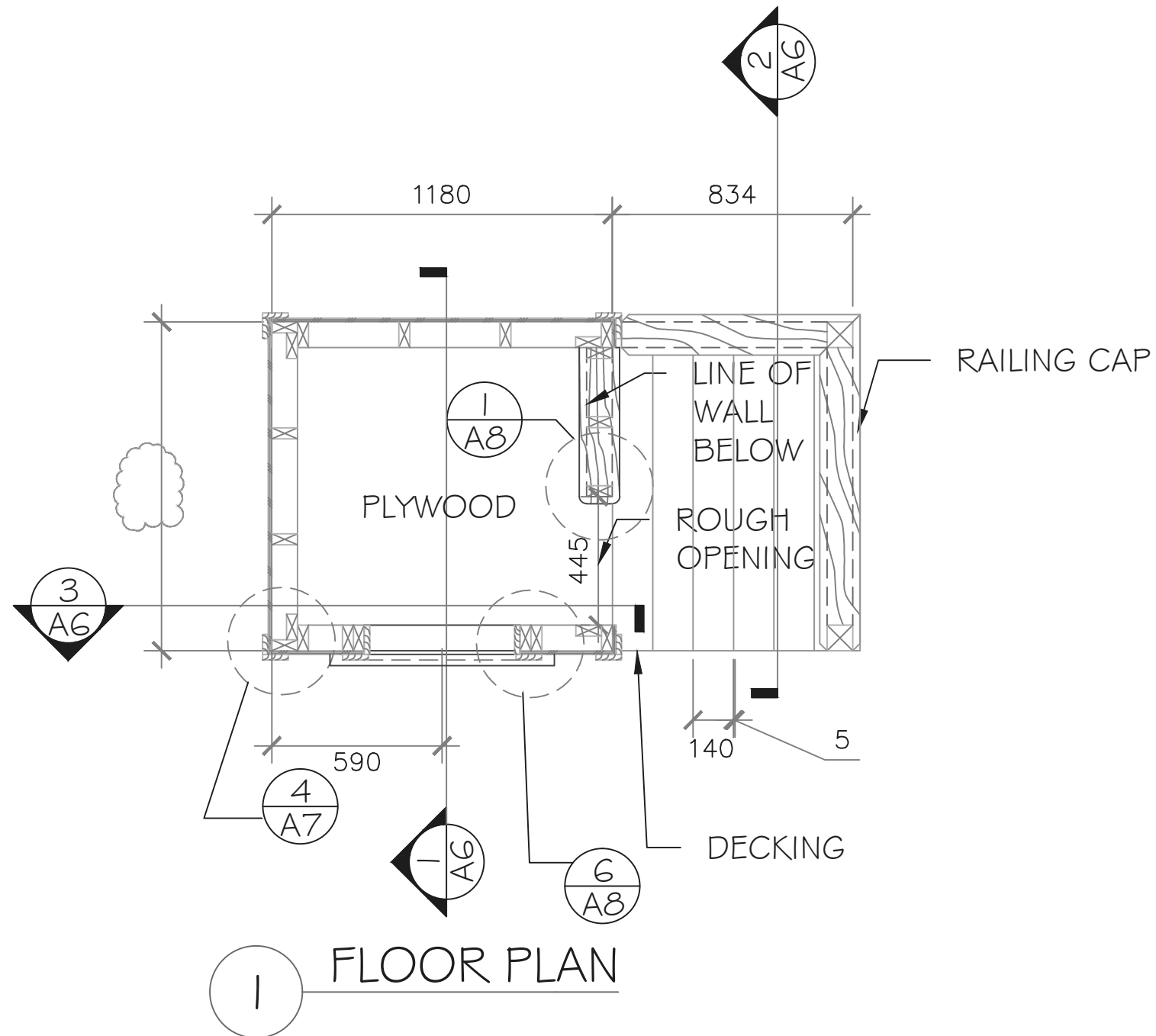
SKILLS  
CANADA

NATIONAL  
CARPENTRY  
SECONDARY

ISOMETRIC

DRAWN BY: ALLISON VINK	SHEET #
DATE: 06/29/2015	A1
SCALE: not to scale	





General Notes

FOR EDUCATIONAL PURPOSE ONLY

- 1) ALL SHEATHING STOCK TO BE VERIFIED ON SITE
- 2) NO SHEATHING FOR ROOF
- 3) FINISH/ SOFTEN ALL EXPOSED EDGES
- 4) ALL FRAMING AT 400 o/c

No.	Revision/Issue	Date
9	REVISIONS	JUN,29
8	REVISIONS	JAN,14
7	REVISIONS	JAN,09
6	REVISIONS	DEC,18
5	REVISIONS	DEC,11
4	FINAL DRAFT	NOV,09
3	REVISIONS	OCT,14
2	REVISIONS	SEP,08
1	DRAFT	AUG,15

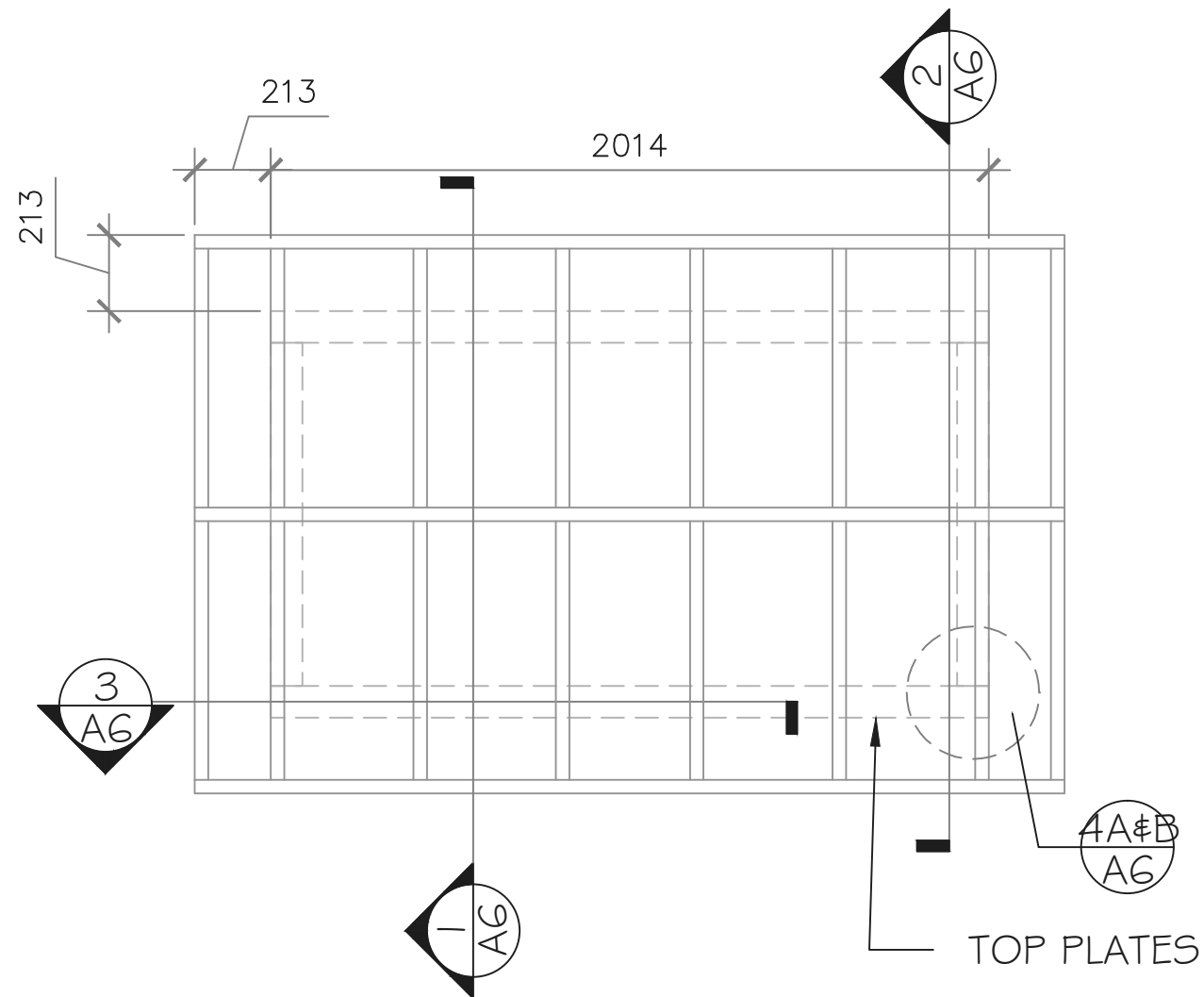
SKILLS  
CANADA

NATIONAL  
CARPENTRY  
SECONDARY

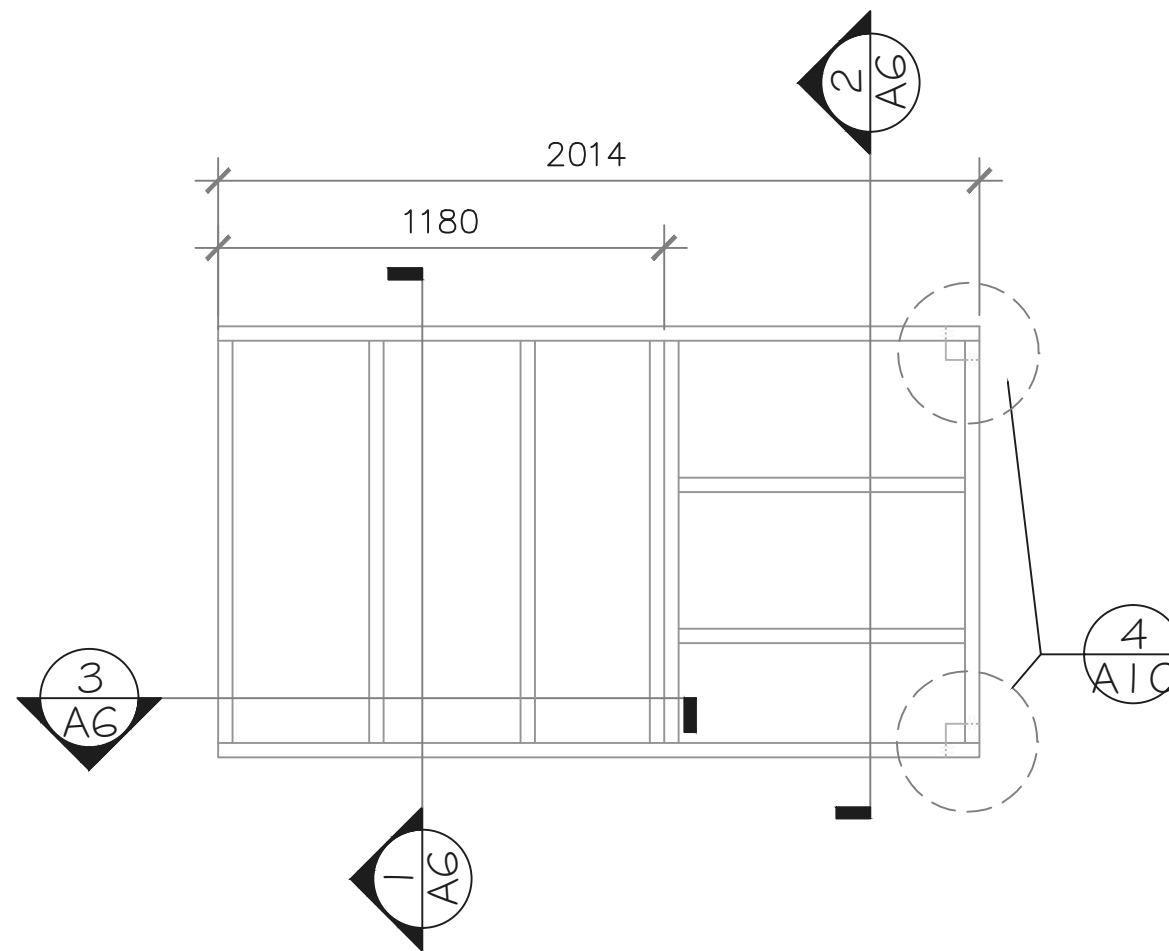
PLANS

DRAWN BY: ALLISON VINK	SHEET #
DATE: 06/29/2015	A2
SCALE: not to scale	





1 ROOF FRAMING PLAN



2 FLOOR JOIST PLAN

General Notes  
FOR EDUCATIONAL  
PURPOSE ONLY



DOCUMENT USE



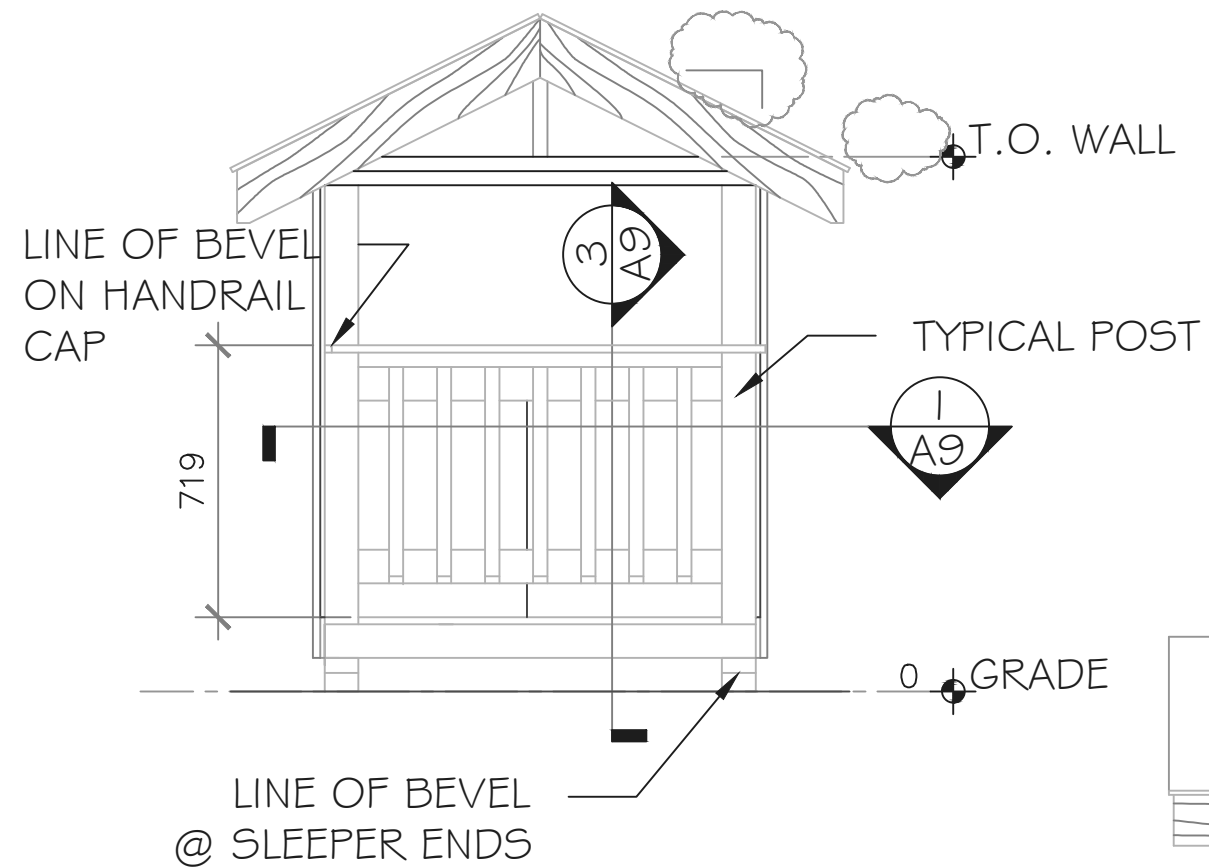
No.	Revision/Issue	Date
9	REVISIONS	JUN,29
8	REVISIONS	JAN,14
7	REVISIONS	JAN,09
6	REVISIONS	DEC,18
5	REVISIONS	DEC,11
4	FINAL DRAFT	NOV,09
3	REVISIONS	OCT,14
2	REVISIONS	SEP,08
1	DRAFT	AUG,15

SKILLS  
CANADA

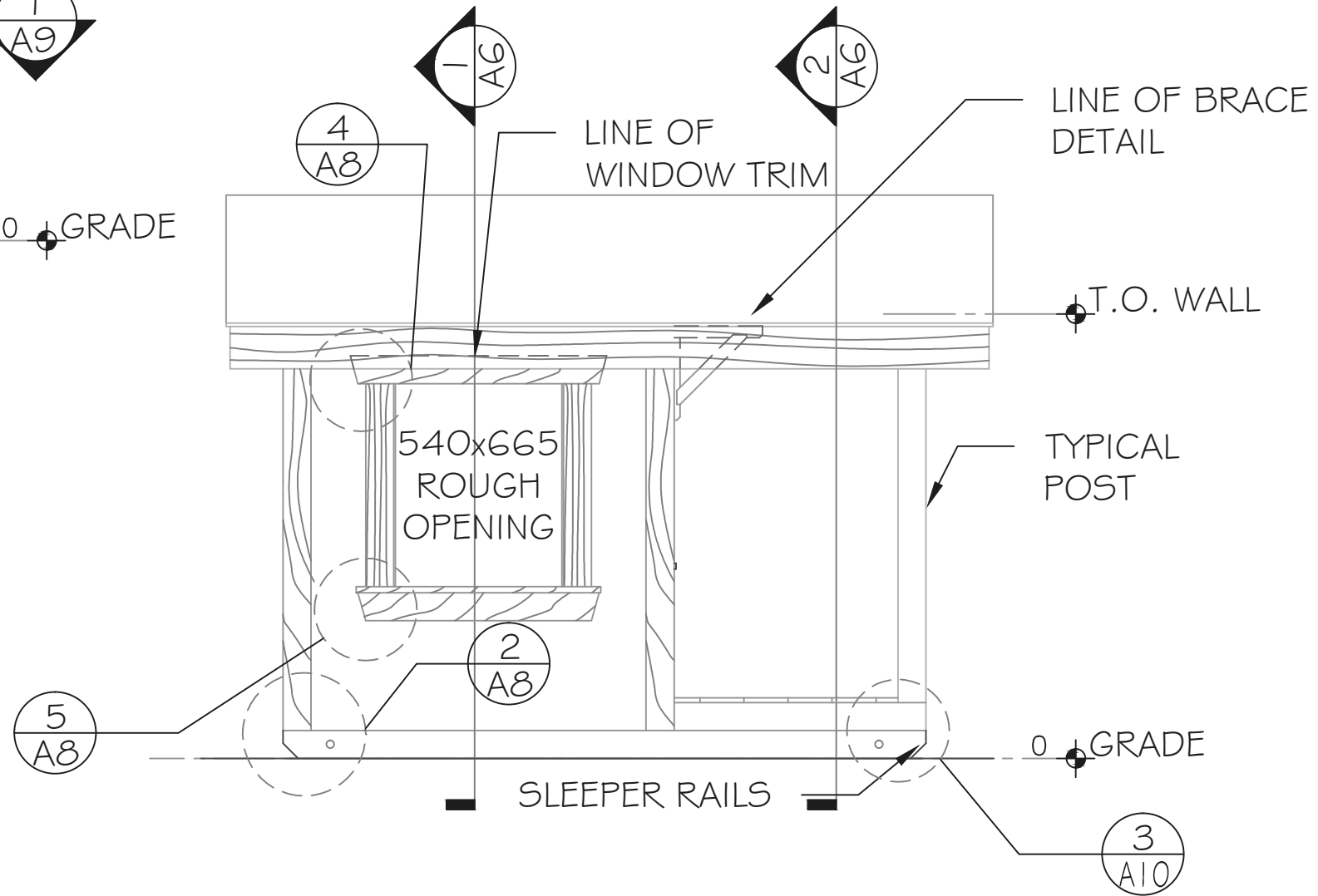
NATIONAL  
CARPENTRY  
SECONDARY

PLANS

DRAWN BY: ALLISON VINK	SHEET #
DATE: 06/29/2015	A3
SCALE: not to scale	



1 FRONT-ELEVATION



2 LEFT SIDE-ELEVATION

General Notes  
FOR EDUCATIONAL  
PURPOSE ONLY

1) T.O. = TOP OF WALL



DOCUMENT USE



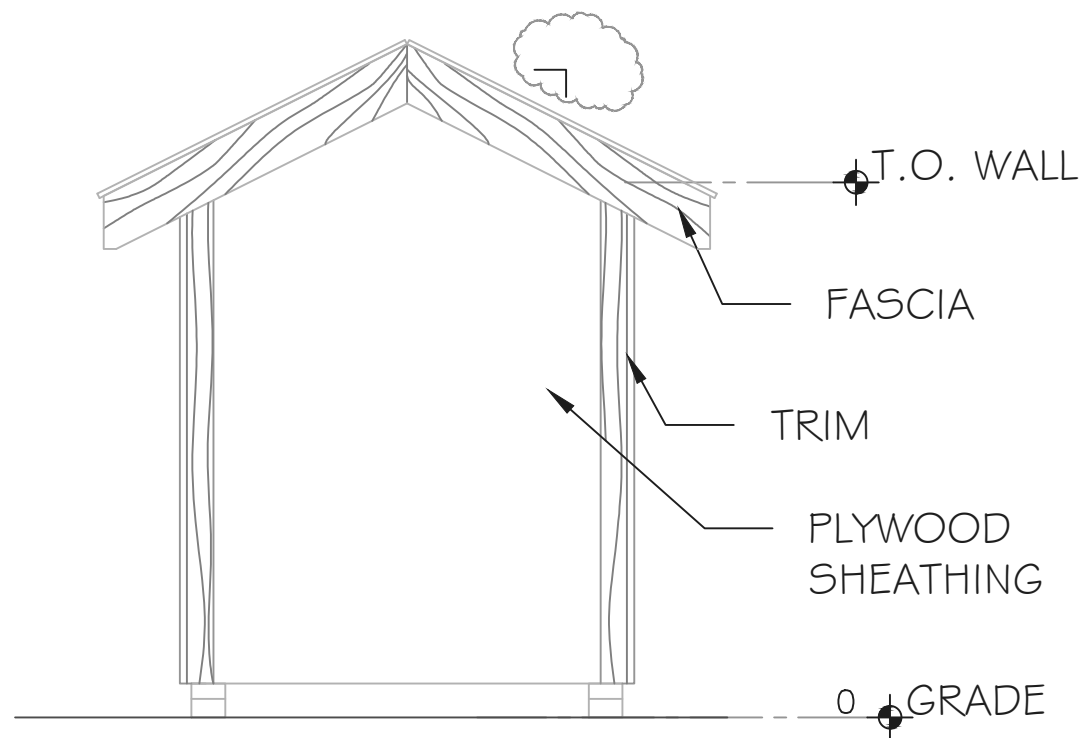
No.	Revision/Issue	Date
9	REVISIONS	JUN,29
8	REVISIONS	JAN,14
7	REVISIONS	JAN,09
6	REVISIONS	DEC,18
5	REVISIONS	DEC,11
4	FINAL DRAFT	NOV,09
3	REVISIONS	OCT,14
2	REVISIONS	SEP,08
1	DRAFT	AUG,15

SKILLS  
CANADA

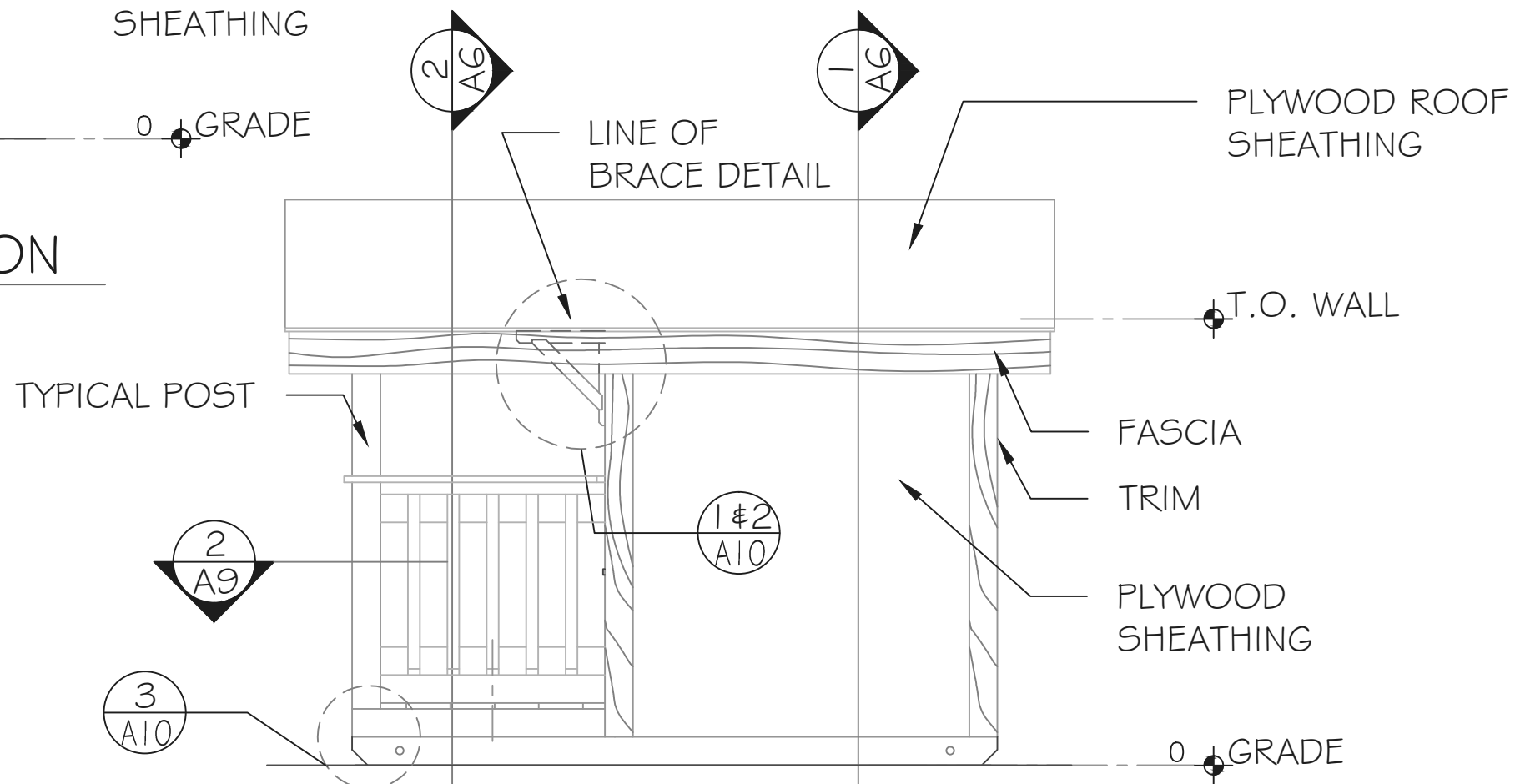
NATIONAL  
CARPENTRY  
SECONDARY

ELEVATIONS

DRAWN BY: ALLISON VINK	SHEET #
DATE: 06/29/2015	A4
SCALE: not to scale	



1 REAR-ELEVATION



2 RIGHT SIDE-ELEVATION

General Notes  
FOR EDUCATIONAL  
PURPOSE ONLY



DOCUMENT USE



No.	Revision/Issue	Date
9	REVISIONS	JUN,29
8	REVISIONS	JAN,14
7	REVISIONS	JAN,09
6	REVISIONS	DEC,18
5	REVISIONS	DEC,11
4	FINAL DRAFT	NOV,09
3	REVISIONS	OCT,14
2	REVISIONS	SEP,08
1	DRAFT	AUG,15

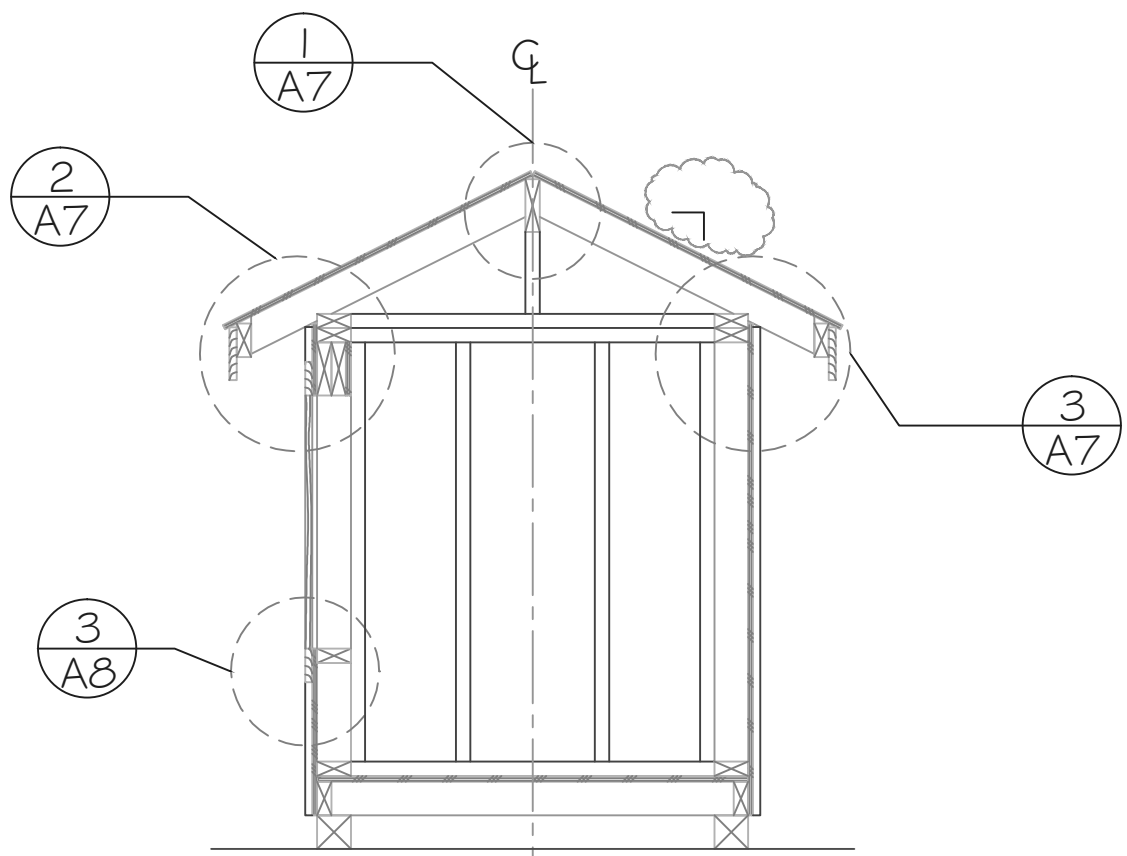
SKILLS  
CANADA

NATIONAL  
CARPENTRY  
SECONDARY

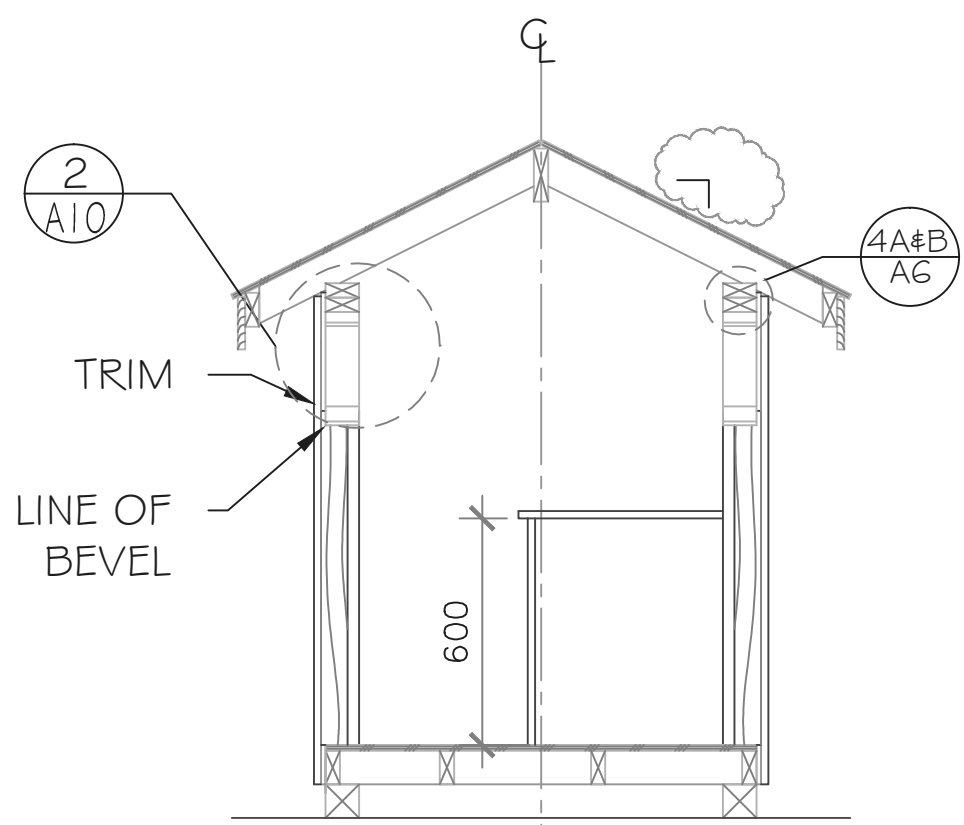
ELEVATIONS

DRAWN BY:  
ALLISON VINK  
DATE: 06/29/2015  
SCALE:  
not to scale

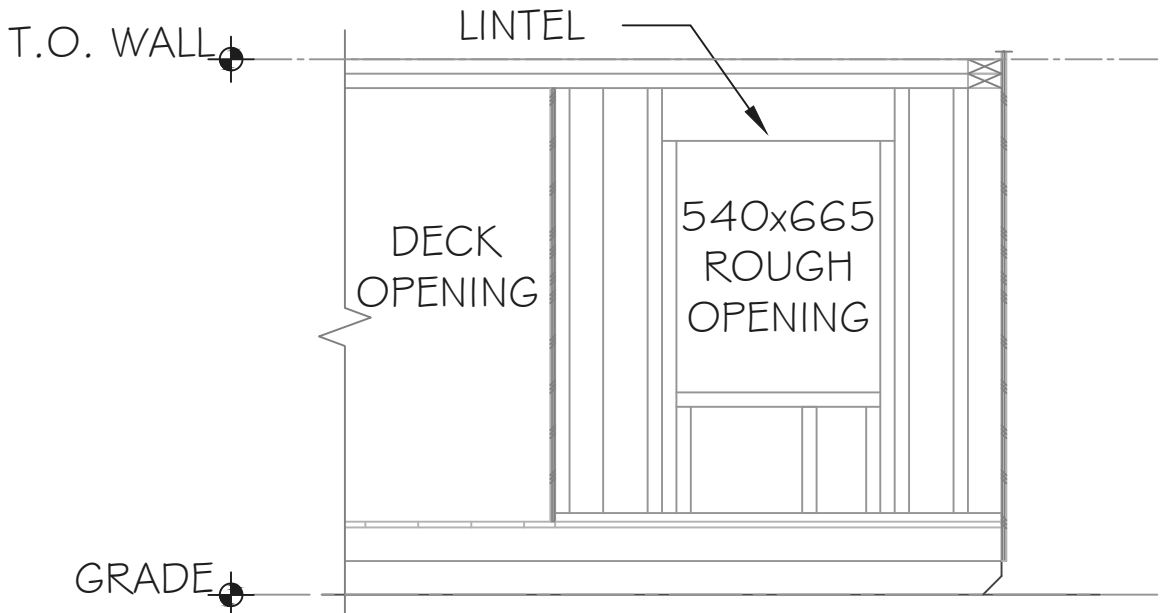
SHEET #  
A5



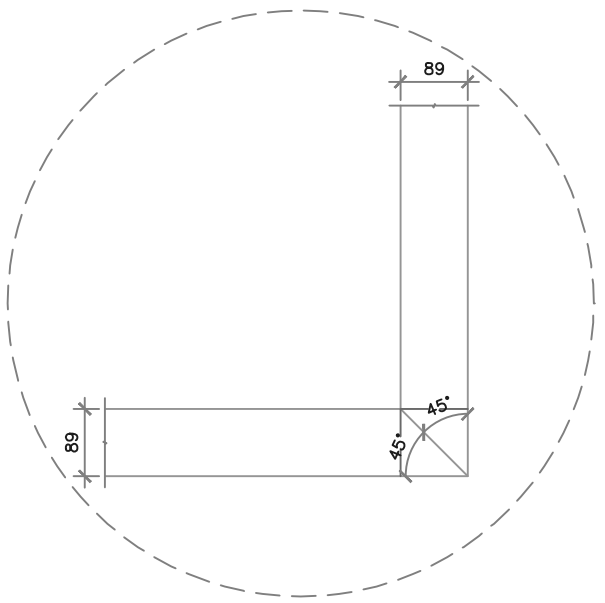
1 SECTION 1  
A2, A3, A4, A5



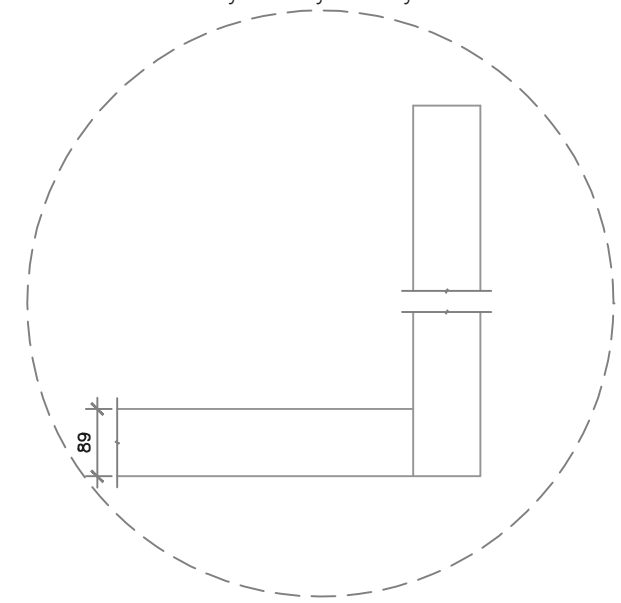
2 SECTION 2  
(EXCLUDING BACK WALL)  
A2, A3, A4, A5



3 SECTION 3  
A2, A3



4A PLAN OF LOWER TOP PLATE  
CONNECTION AT POSTS



4B PLAN OF UPPER TOP PLATE  
CONNECTION AT POSTS

General Notes  
FOR EDUCATIONAL  
PURPOSE ONLY



DOCUMENT USE



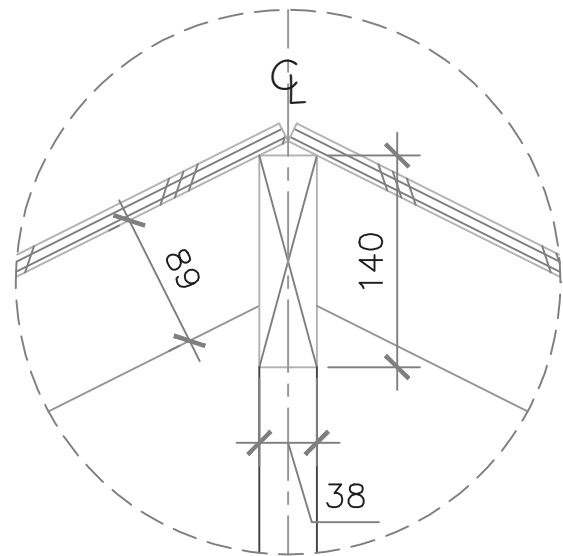
No.	Revision/Issue	Date
9	REVISIONS	JUN,29
8	REVISIONS	JAN,14
7	REVISIONS	JAN,09
6	REVISIONS	DEC,18
5	REVISIONS	DEC,11
4	FINAL DRAFT	NOV,09
3	REVISIONS	OCT,14
2	REVISIONS	SEP,08
1	DRAFT	AUG,15

SKILLS  
CANADA

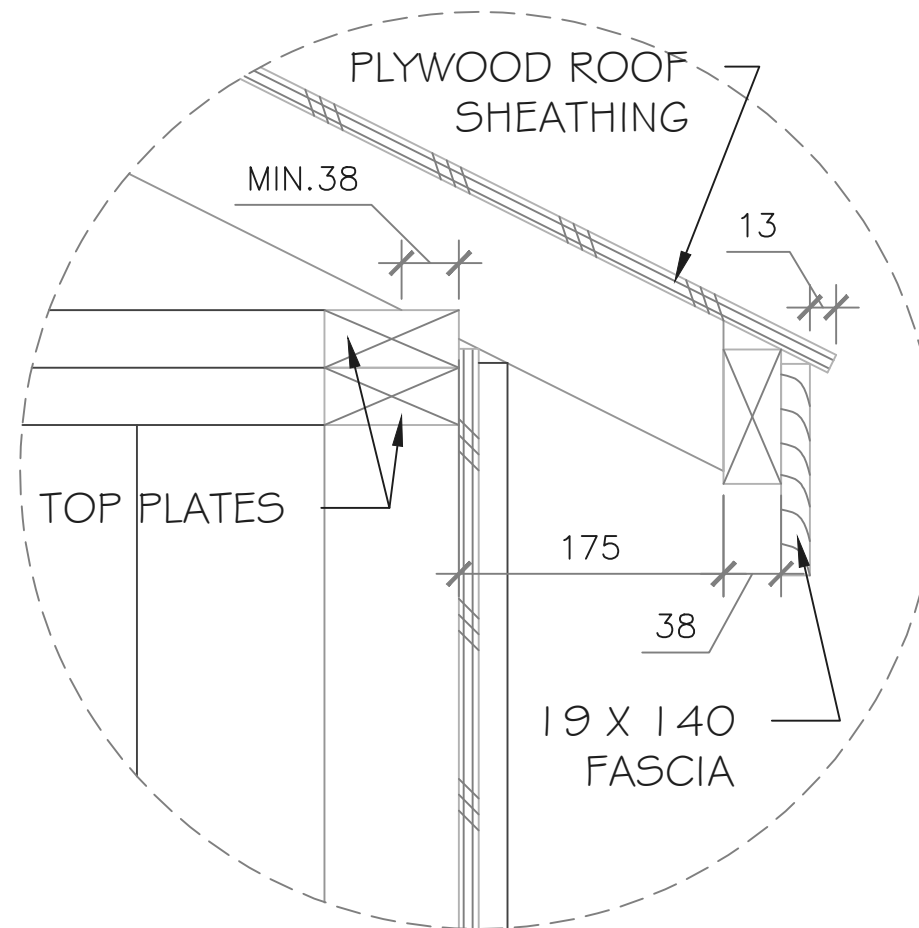
NATIONAL  
CARPENTRY  
SECONDARY

SECTIONS

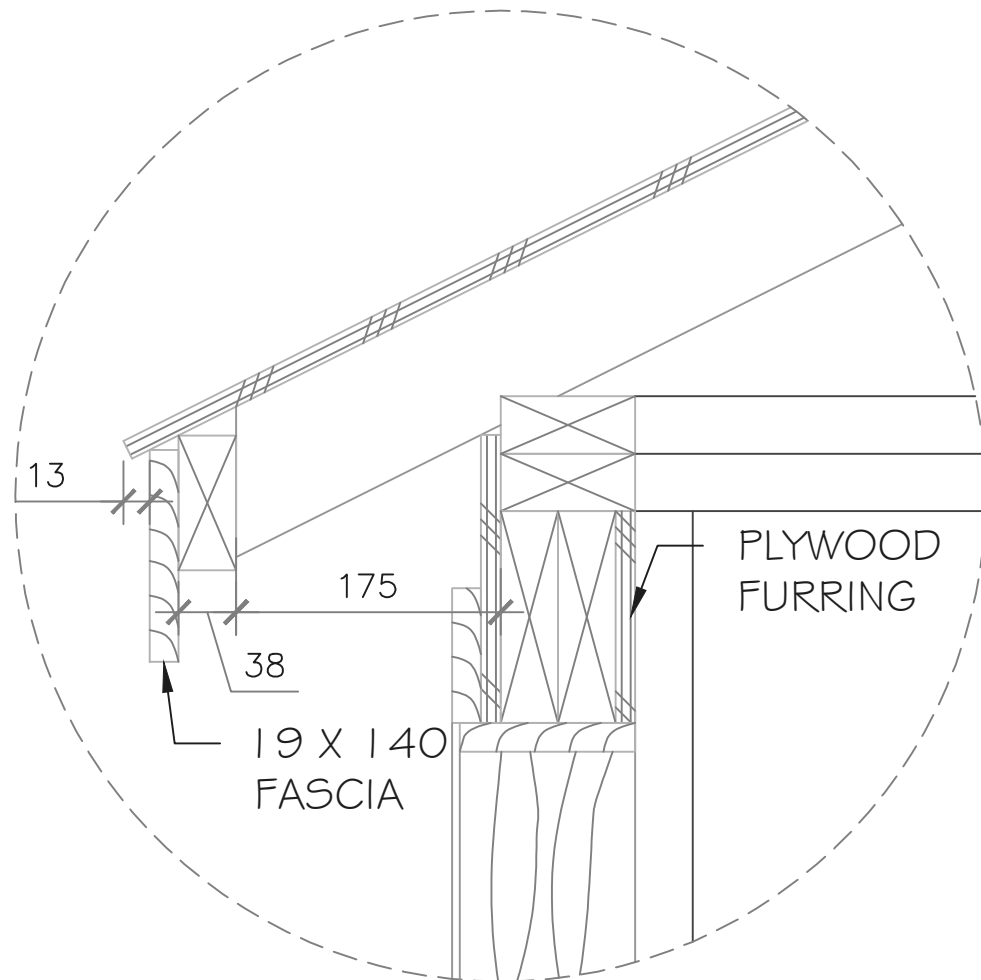
DRAWN BY: ALLISON VINK	SHEET #
DATE: 06/29/2015	A6
SCALE: not to scale	



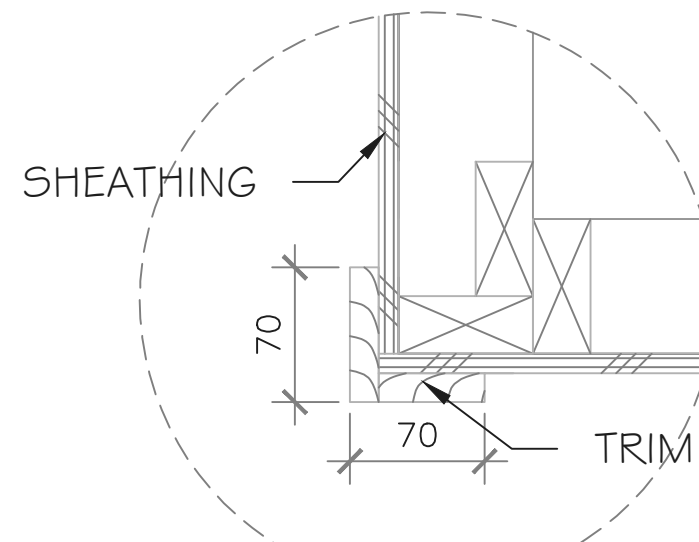
1 RIDGE DETAIL



3 TYP. EAVE DETAIL



2 EAVE DETAIL @ LINTEL



4 TYP. WALL @ CORNER

General Notes  
FOR EDUCATIONAL  
PURPOSE ONLY  
1) FASCIA CORNERS  
TO BE MITRED



DOCUMENT USE



No.	Revision/Issue	Date
9	REVISIONS	JUN,29
8	REVISIONS	JAN,14
7	REVISIONS	JAN,09
6	REVISIONS	DEC,18
5	REVISIONS	DEC,11
4	FINAL DRAFT	NOV,09
3	REVISIONS	OCT,14
2	REVISIONS	SEP,08
1	DRAFT	AUG,15

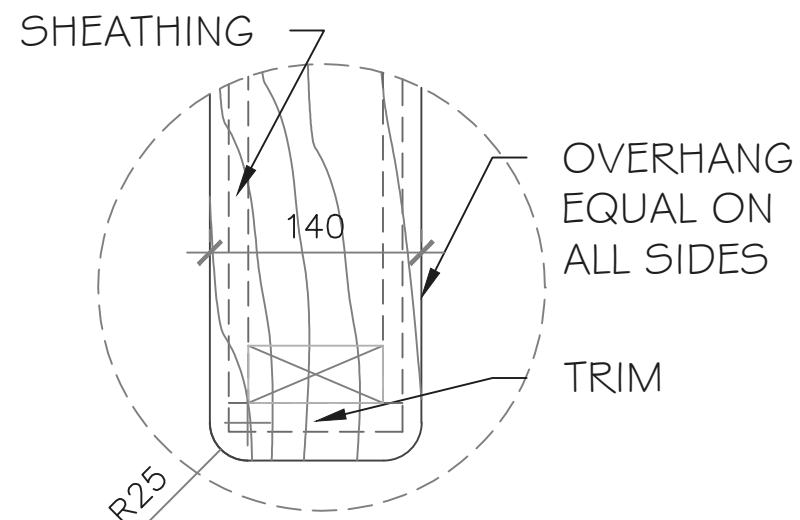
SKILLS  
CANADA

NATIONAL  
CARPENTRY  
SECONDARY

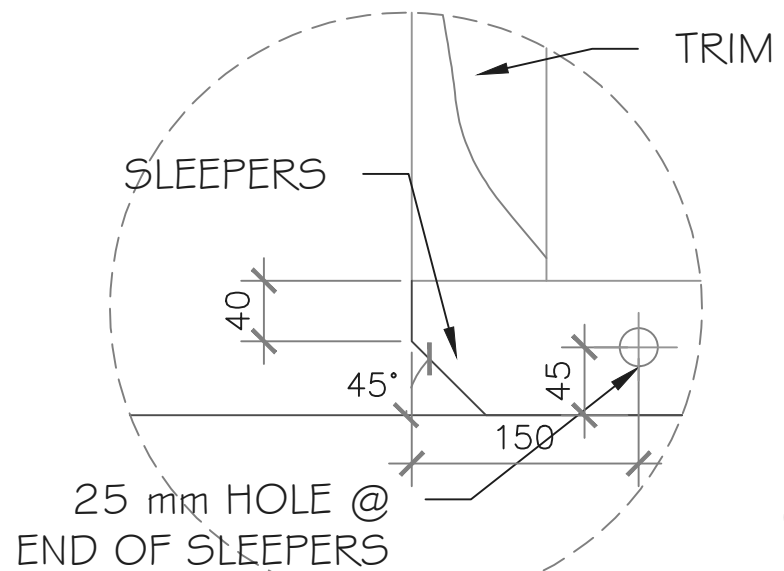
DETAILS

DRAWN BY: ALLISON VINK	SHEET #
DATE: 06/29/2015	A7
SCALE: not to scale	

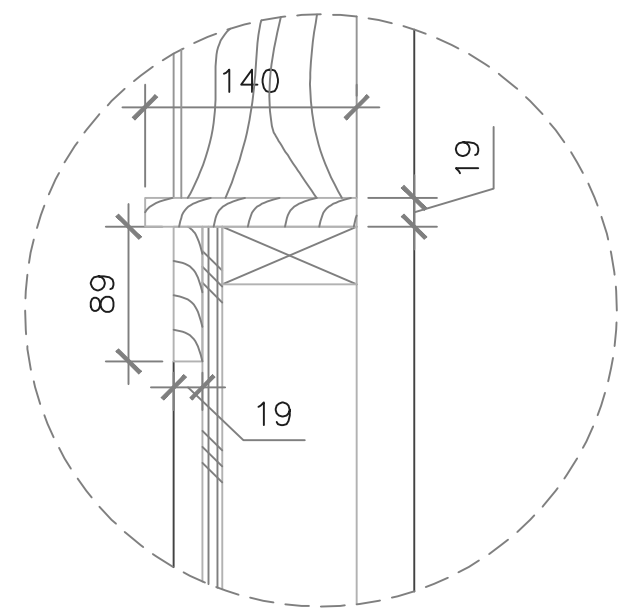




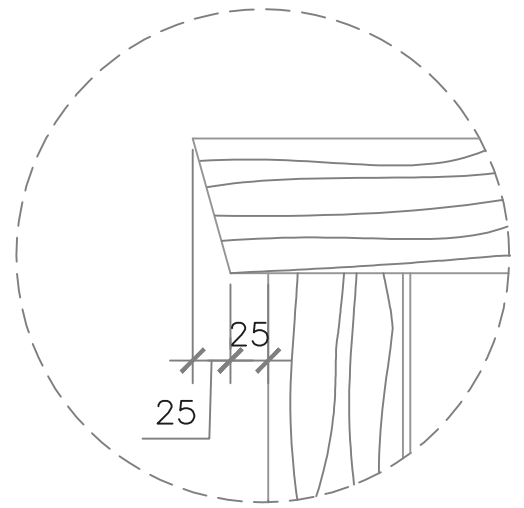
1  
A2  
WALL CAP DETAIL



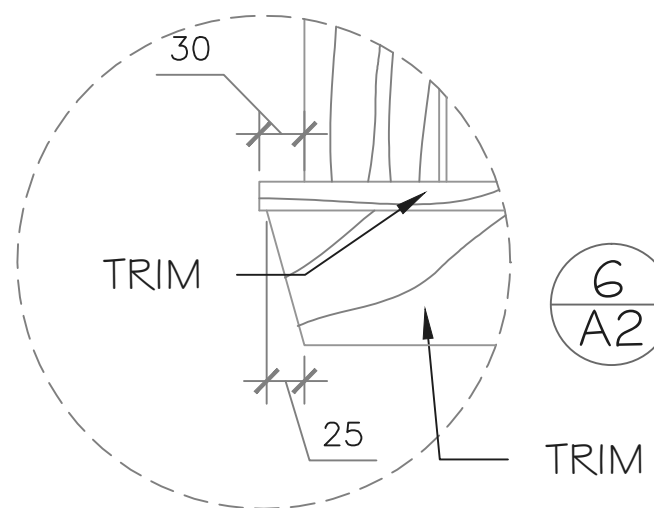
2  
A4  
SLEEPER ANGLE DETAIL



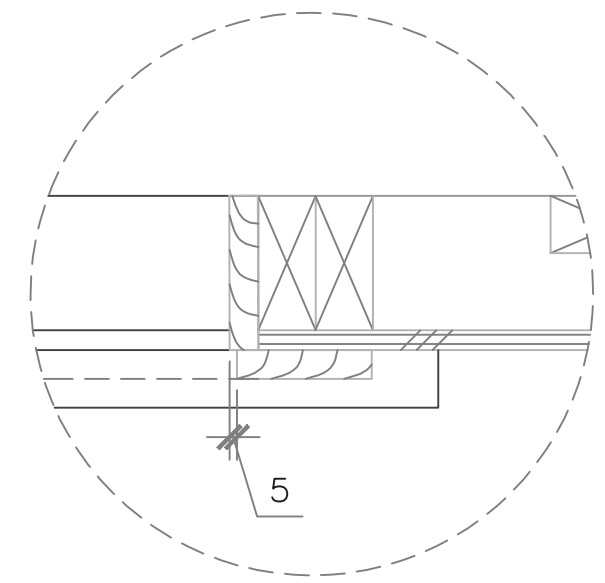
3  
A6  
WINDOW SILL DETAIL



4  
A4  
WINDOW HEAD TRIM DETAIL



5  
A4  
WINDOW SILL TRIM DETAIL



6  
A2  
WINDOW SILL PLAN DETAIL

General Notes  
FOR EDUCATIONAL  
PURPOSE ONLY



DOCUMENT USE



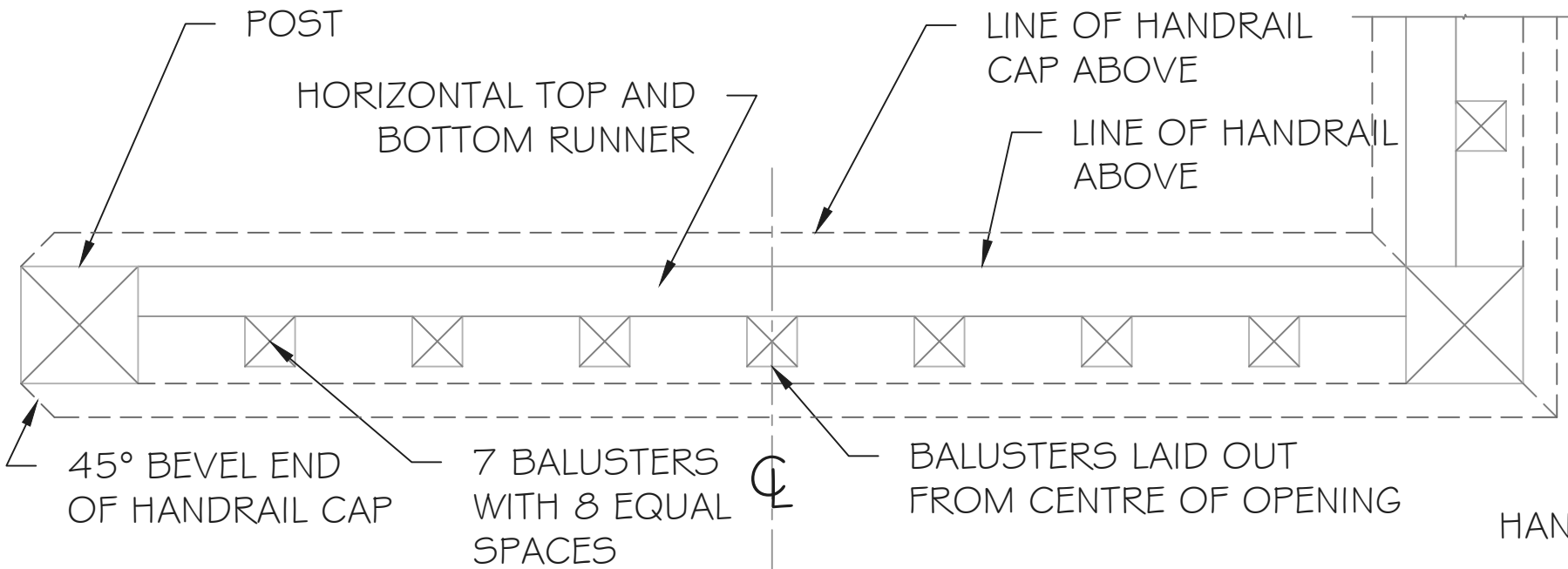
No.	Revision/Issue	Date
9	REVISIONS	JUN,29
8	REVISIONS	JAN,14
7	REVISIONS	JAN,09
6	REVISIONS	DEC,18
5	REVISIONS	DEC,11
4	FINAL DRAFT	NOV,09
3	REVISIONS	OCT,14
2	REVISIONS	SEP,08
1	DRAFT	AUG,15

SKILLS  
CANADA

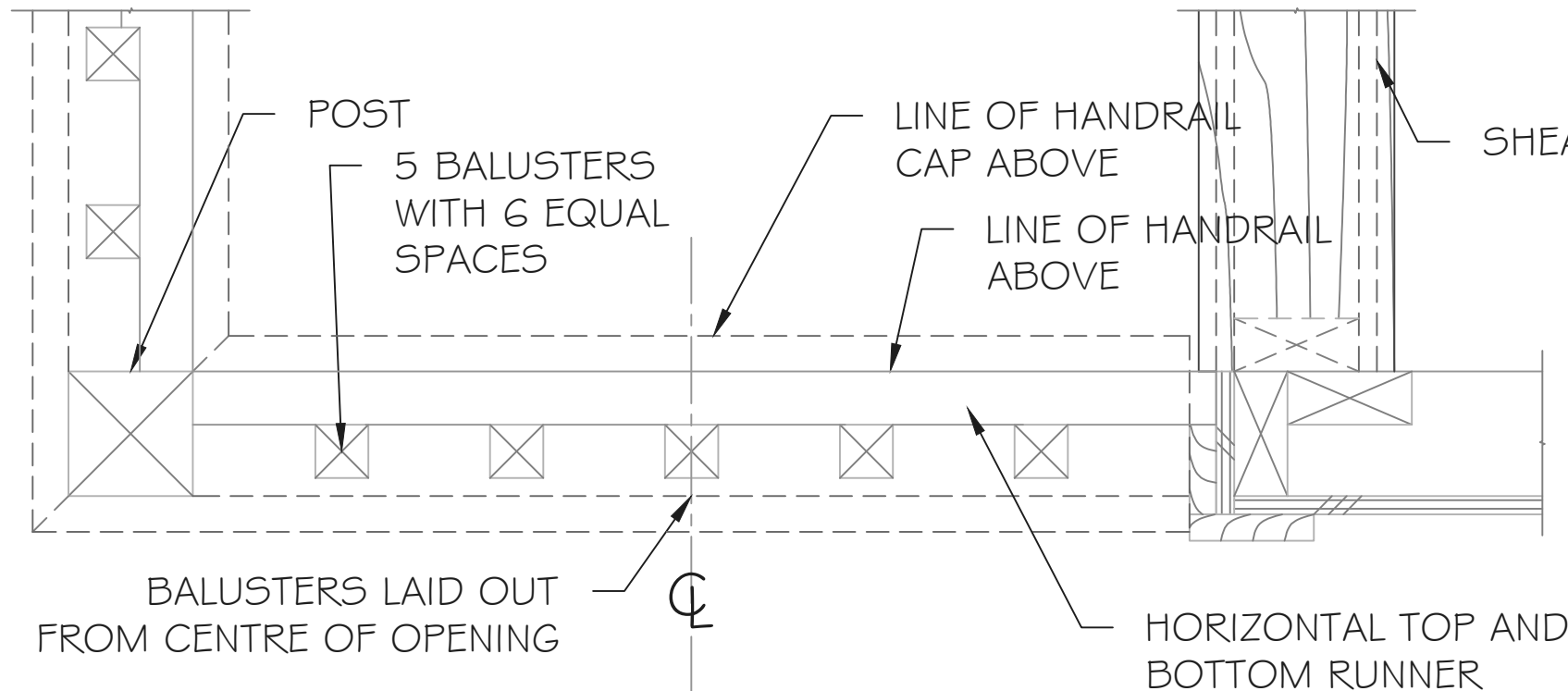
NATIONAL  
CARPENTRY  
SECONDARY

DETAILS

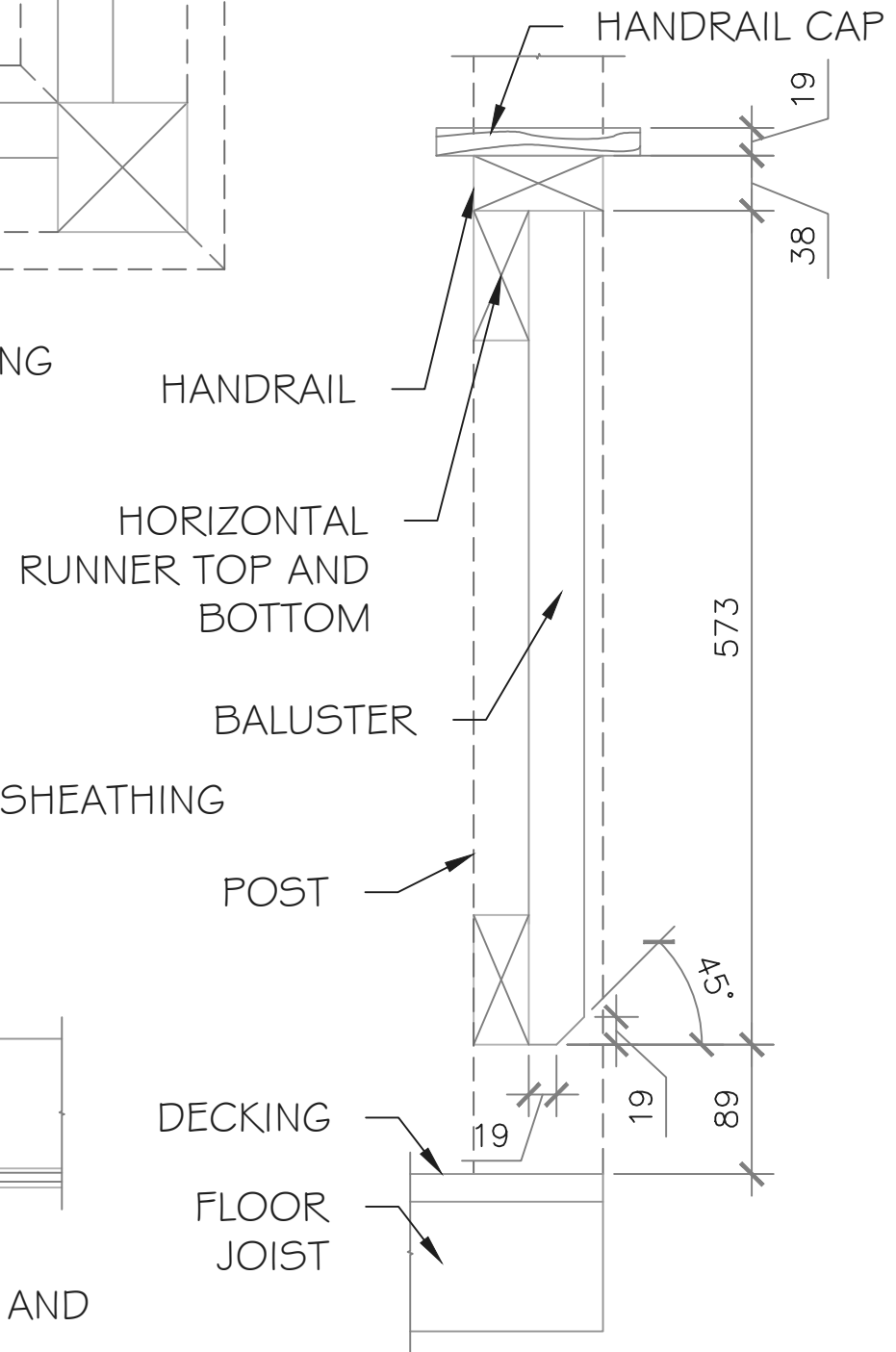
DRAWN BY: ALLISON VINK	SHEET #
DATE: 06/29/2015	A8
SCALE: not to scale	



1 FRONT RAILING PLAN  
A4



2 SIDE RAILING PLAN  
A5



3 BALUSTER SECTION  
A4

General Notes  
FOR EDUCATIONAL  
PURPOSE ONLY



DOCUMENT USE



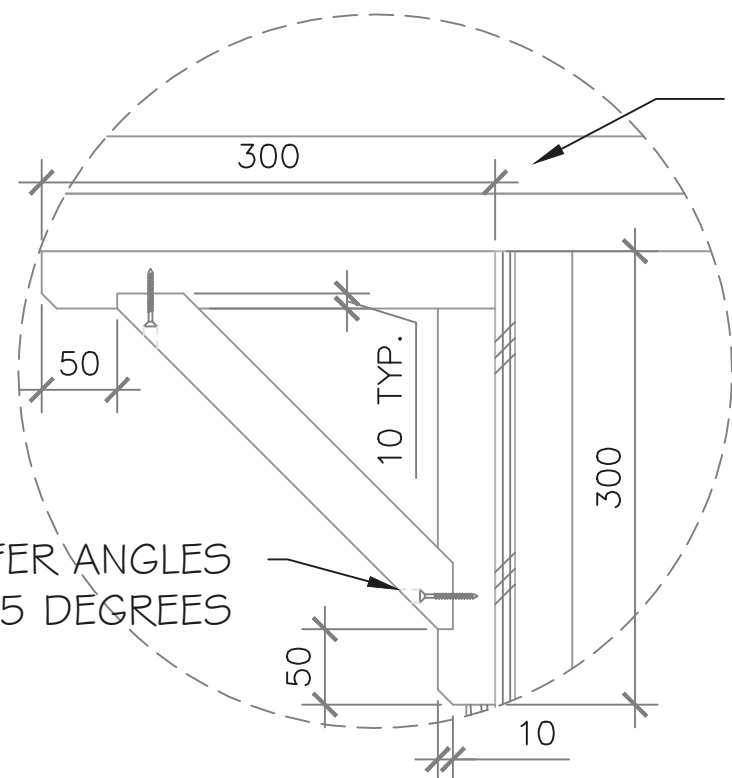
No.	Revision/Issue	Date
9	REVISIONS	JUN,29
8	REVISIONS	JAN,14
7	REVISIONS	JAN,09
6	REVISIONS	DEC,18
5	REVISIONS	DEC,11
4	FINAL DRAFT	NOV,09
3	REVISIONS	OCT,14
2	REVISIONS	SEP,08
1	DRAFT	AUG,15

SKILLS  
CANADA

NATIONAL  
CARPENTRY  
SECONDARY

DETAILS

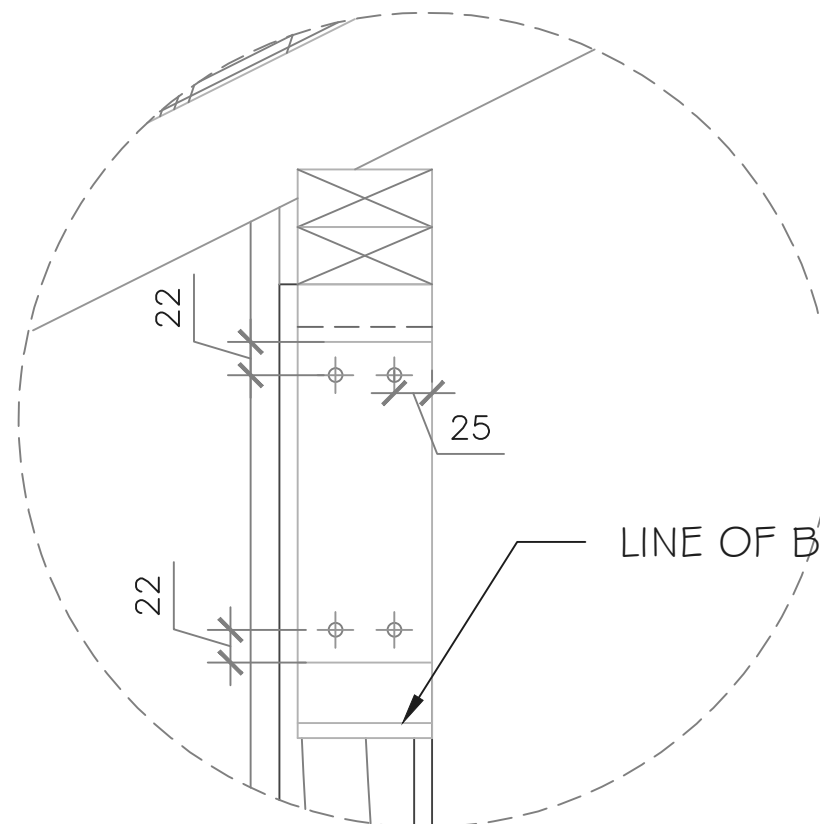
DRAWN BY: not to scale	SHEET #
DATE: 06/29/2015	A9
SCALE: AS NOTED	



TOP PLATES TO EXTEND BEYOND WALL BEARING ON POST

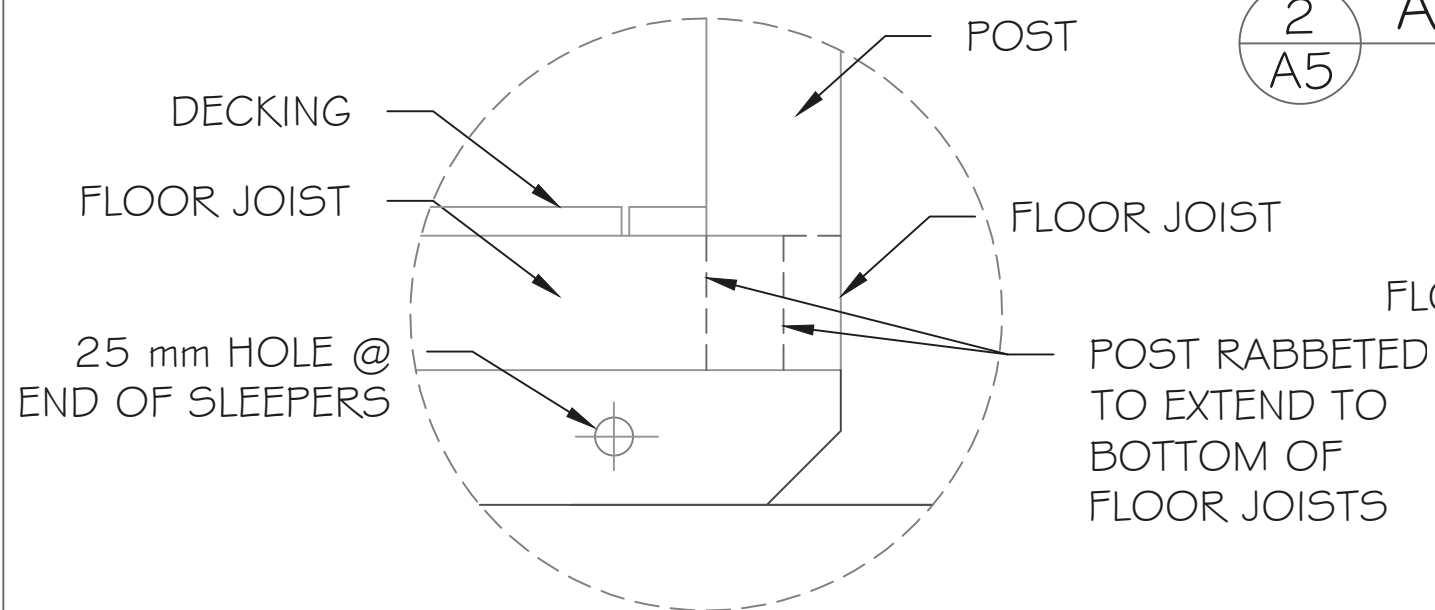
CHAMFER ANGLES AT 45 DEGREES

1 ARCHITECTURAL BRACKET DETAIL-A  
A5



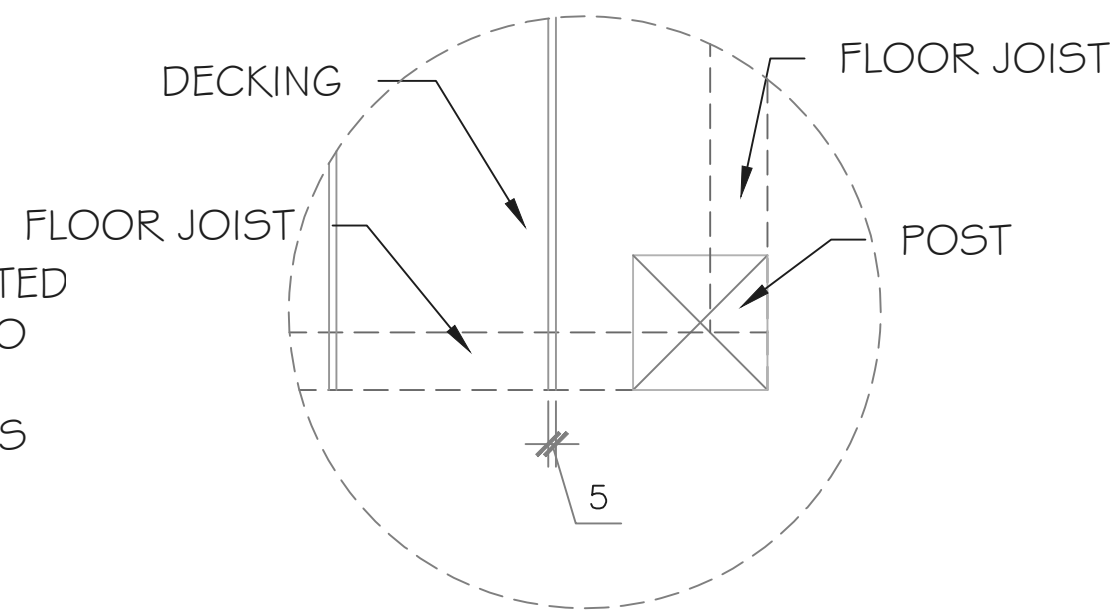
LINE OF BEVEL

2 ARCHITECTURAL BRACKET DETAIL-B  
A5



POST RABBETED TO EXTEND TO BOTTOM OF FLOOR JOISTS

3 FLOOR JOISTS AT FRONT POSTS  
A4



4 DECKING AT FLOOR JOISTS  
A3

General Notes  
FOR EDUCATIONAL  
PURPOSE ONLY



DOCUMENT USE



No.	Revision/Issue	Date
9	REVISIONS	JUN,29
8	REVISIONS	JAN,14
7	REVISIONS	JAN,09
6	REVISIONS	DEC,18
5	REVISIONS	DEC,11
4	FINAL DRAFT	NOV,09
3	REVISIONS	OCT,14
2	REVISIONS	SEP,08
1	DRAFT	AUG,15

SKILLS  
CANADA

NATIONAL  
CARPENTRY  
SECONDARY

DETAILS

DRAWN BY: ALLISON VINK	SHEET #
DATE: 06/29/2015	A10
SCALE: not to scale	