



TEST PROJECT / PROJET D'ÉPREUVE

# CARPENTRY CHARPENTERIE

POST-SECONDARY /  
NIVEAU POSTSECONDAIRE



General Notes  
FOR EDUCATIONAL  
PURPOSE ONLY  
1)

CONTENTS

- A1 - ISOMETRIC
- A2- PLANS
- A3- PLANS
- A4- ELEVATIONS
- A5- ELEVATIONS
- A6- SECTIONS
- A7- DETAILS
- A8- DETAILS
- A9- DETAILS
- A10- DETAILS

7	REVISIONS	JUN. 29
6	REVISIONS	JAN. 14
5	REVISIONS	JAN. 09
4	REVISIONS	DEC. 18
3	REVISIONS	DEC. 16
2	REVISIONS	DEC.12
1	DRAFT	NOV. 19
No.	Revision/Issue	Date

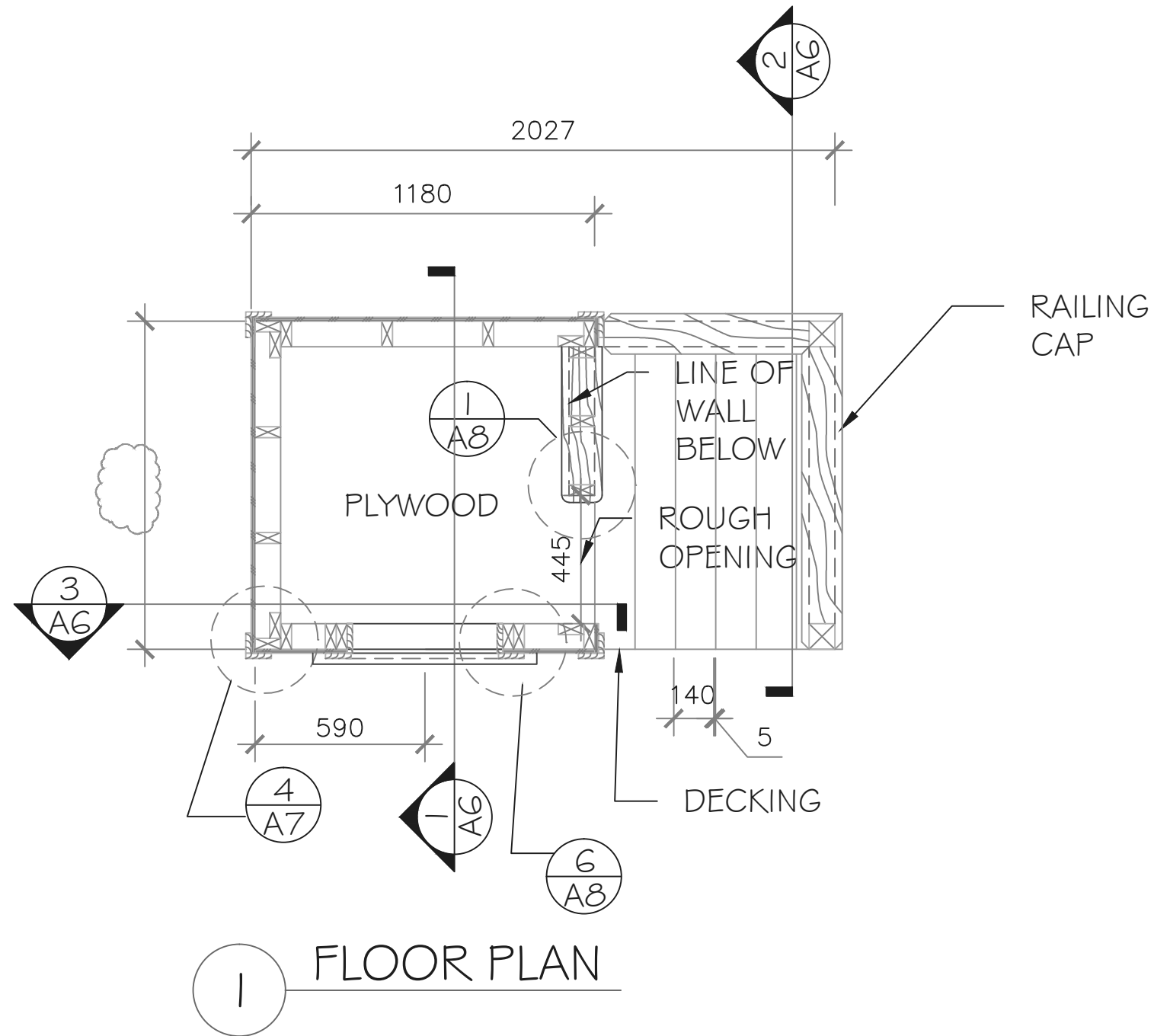
SKILLS  
CANADA

CARPENTRY  
POST  
SECONDARY

ISOMETRIC  
VERSION 2

DRAWN BY: D. DIMACALI	SHEET #
DATE: 06/29/2015	A1
SCALE: AS NOTED	





**General Notes**

FOR EDUCATIONAL PURPOSE ONLY

- 1) All Sheathing Stock to be Verified on Site
- 2) No Sheathing for Roof
- 3) Finish/Soften all exposed edges
- 4) All framing at 400 o/c

No.	Revision/Issue	Date
7	REVISIONS	JUN. 29
6	REVISIONS	JAN. 14
5	REVISIONS	JAN. 09
4	REVISIONS	DEC. 18
3	REVISIONS	DEC. 16
2	REVISIONS	DEC.12
1	DRAFT	NOV. 19

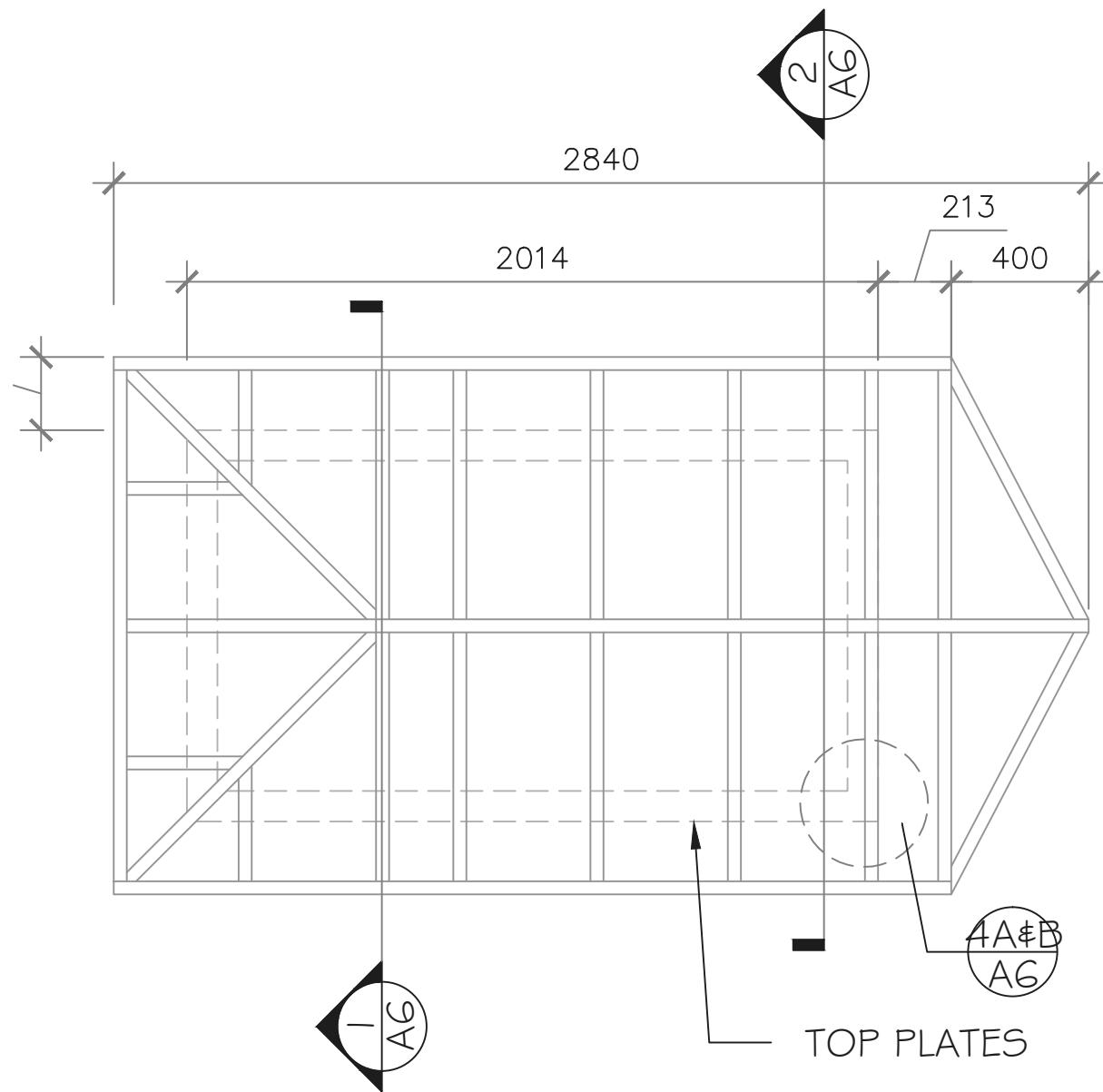
**SKILLS**  
**CANADA**

CARPENTRY  
 POST  
 SECONDARY

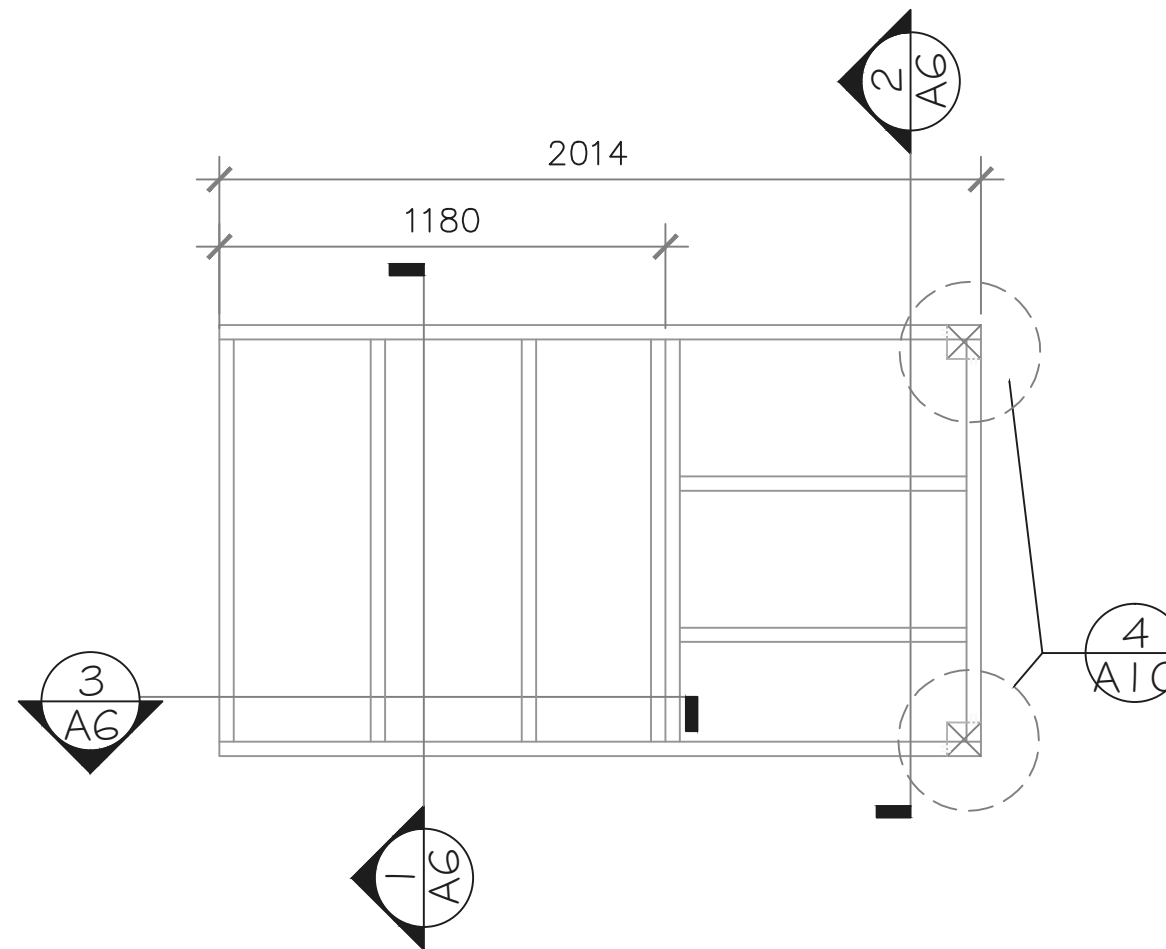
**PLANS**  
 VERSION 2

DRAWN BY: D. DIMACALI DATE: 06/29/2015 SCALE: AS NOTED	SHEET # <b>A2</b>
---	----------------------





1 ROOF FRAMING PLAN



2 FLOOR JOIST PLAN

General Notes  
FOR EDUCATIONAL  
PURPOSE ONLY

1)



DOCUMENT USE



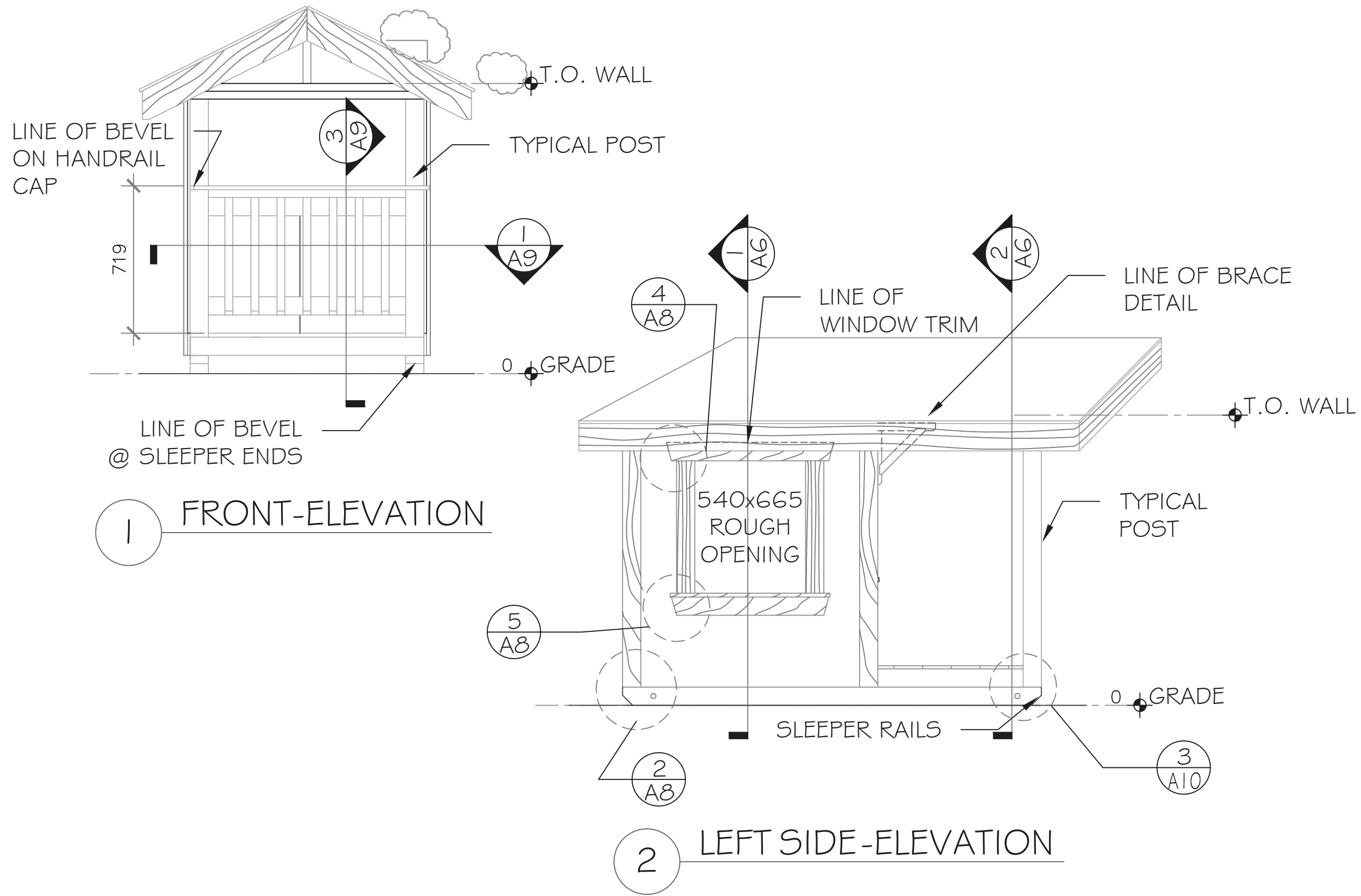
7	FINAL DRAFT	MAY. 19
6	REVISIONS	JAN. 14
5	REVISIONS	JAN. 09
4	REVISIONS	DEC. 18
3	REVISIONS	DEC. 16
2	REVISIONS	DEC.12
1	DRAFT	NOV. 19
No.	Revision/Issue	Date

SKILLS  
CANADA

CARPENTRY  
POST  
SECONDARY

PLANS  
VERSION 2

DRAWN BY: D. DIMACALI	SHEET #
DATE: 05/19/2015	A3
SCALE: AS NOTED	



**General Notes**

FOR EDUCATIONAL PURPOSE ONLY

1) T.O. = Top of Wall



DOCUMENT USE



No.	Revision/Issue	Date
7	REVISIONS	JUN. 29
6	REVISIONS	JAN. 14
5	REVISIONS	JAN. 09
4	REVISIONS	DEC. 18
3	REVISIONS	DEC. 16
2	REVISIONS	DEC. 12
1	DRAFT	NOV. 19

**SKILLS CANADA**

CARPENTRY POST SECONDARY

**ELEVATIONS**  
VERSION 2

DRAWN BY: D. DIMACALI	SHEET #
DATE: 06/29/2015	A4
SCALE: AS NOTED	

General Notes  
FOR EDUCATIONAL  
PURPOSE ONLY



DOCUMENT USE



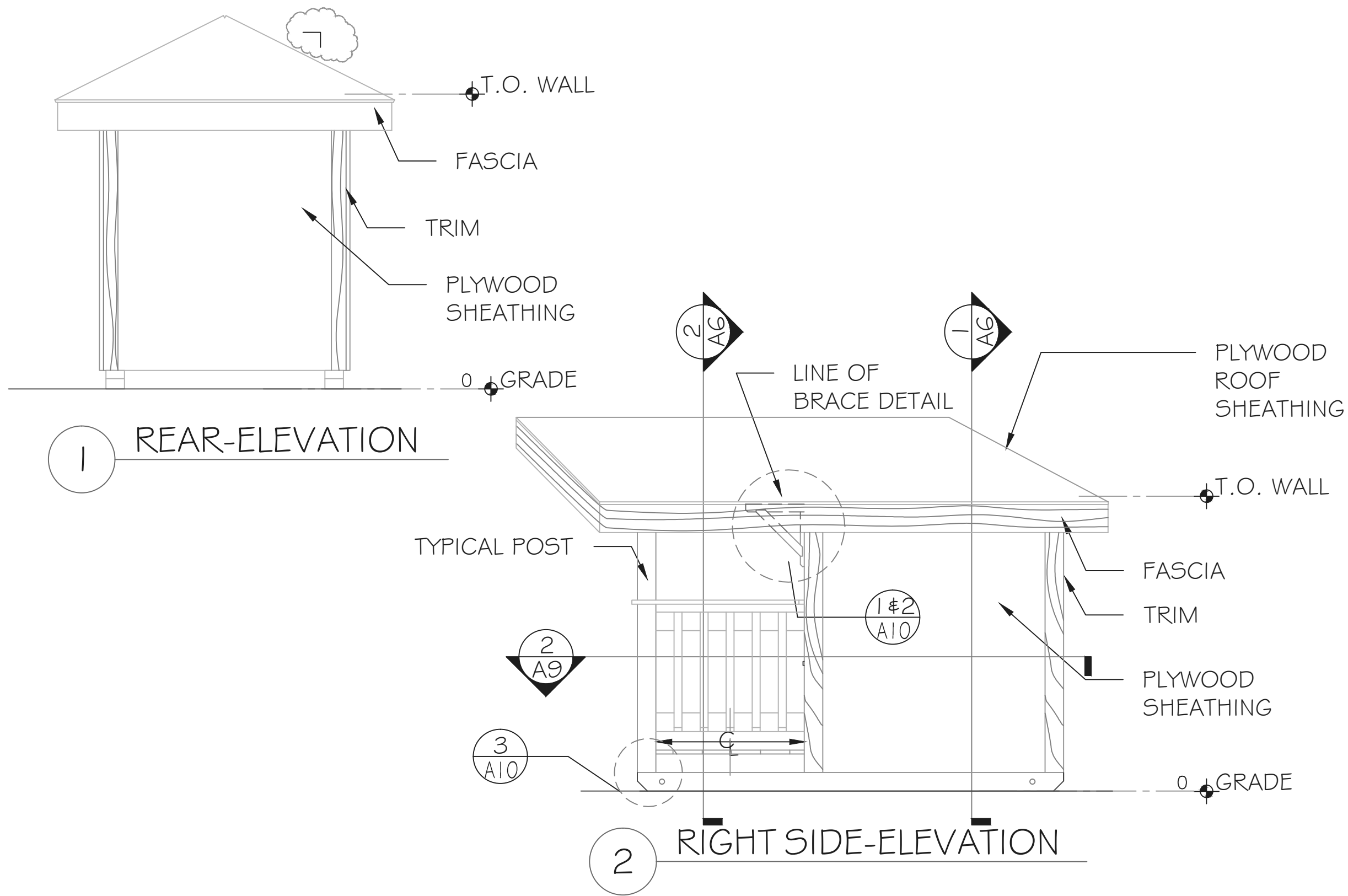
No.	Revision/Issue	Date
7	REVISIONS	JUN. 29
6	REVISIONS	JAN. 14
5	REVISIONS	JAN. 09
4	REVISIONS	DEC. 18
3	REVISIONS	DEC. 16
2	REVISIONS	DEC. 12
1	DRAFT	NOV. 19

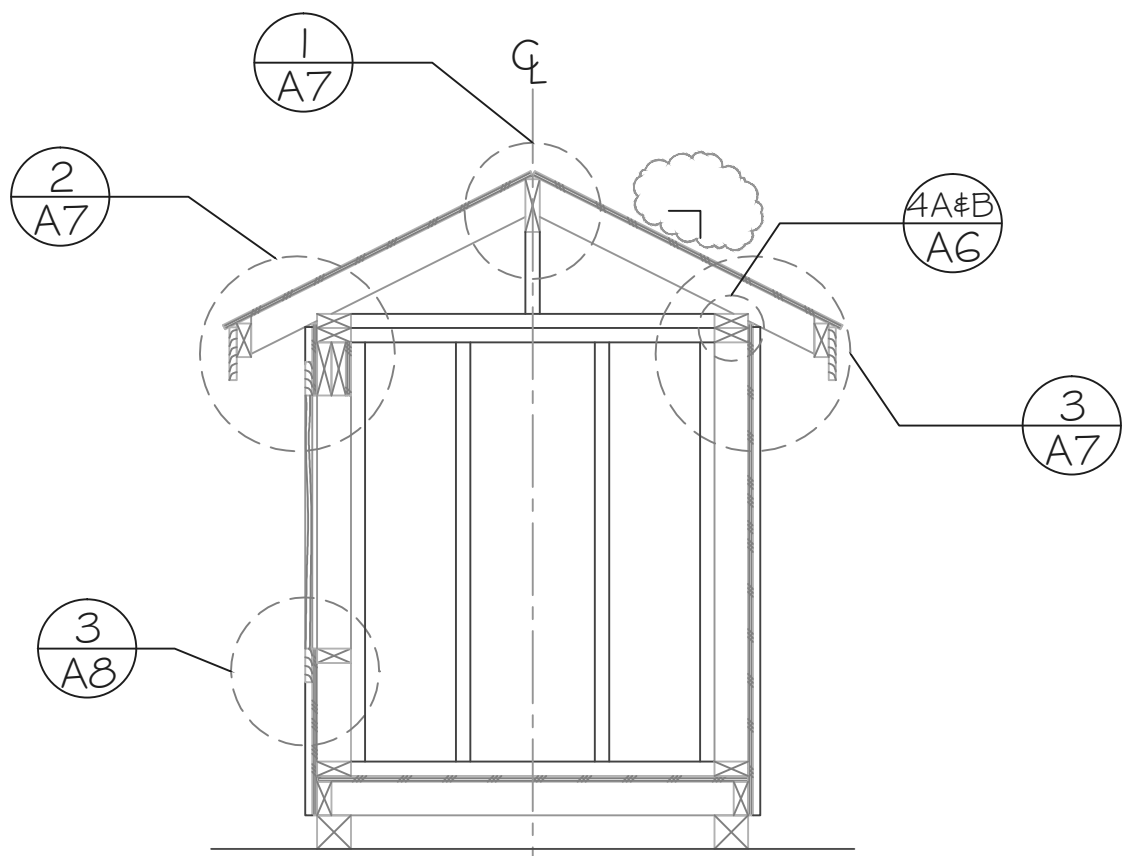
SKILLS  
CANADA

CARPENTRY  
POST  
SECONDARY

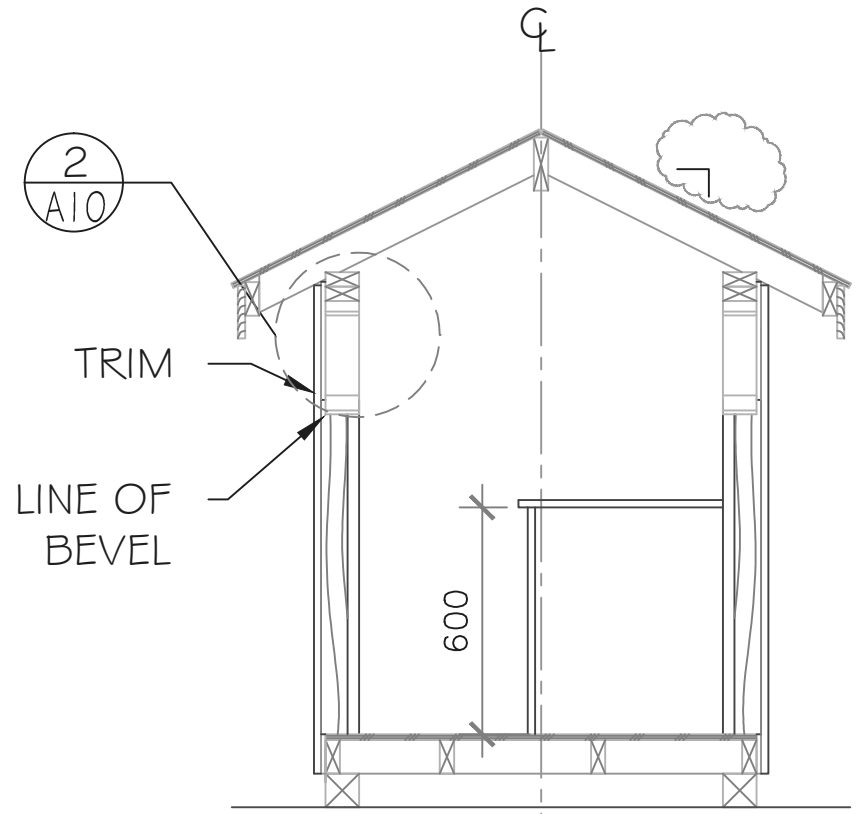
ELEVATIONS  
VERSION 2

DRAWN BY: D. DIMACALI	SHEET #
DATE: 06/29/2015	A5
SCALE: AS NOTED	

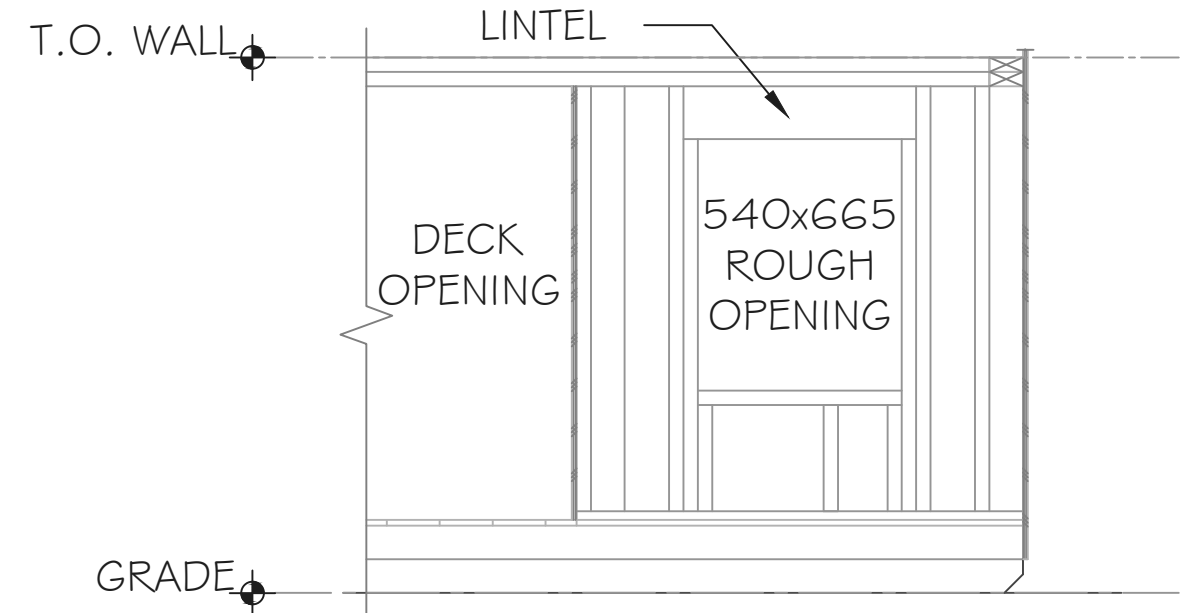




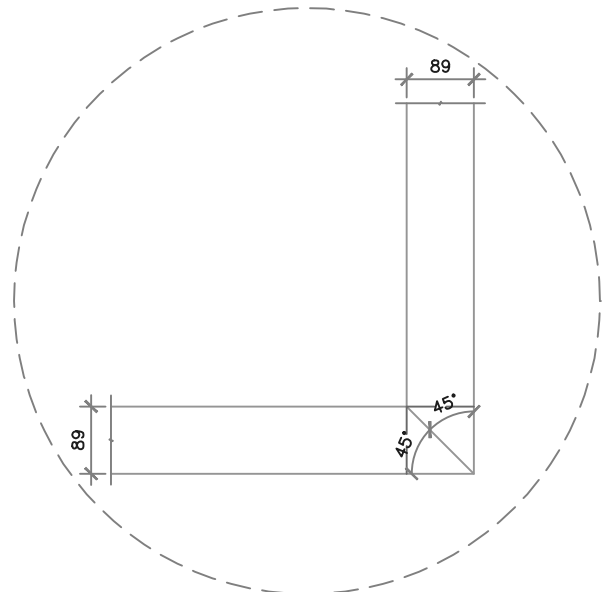
1 SECTION-1  
A2, A3, A4, A5



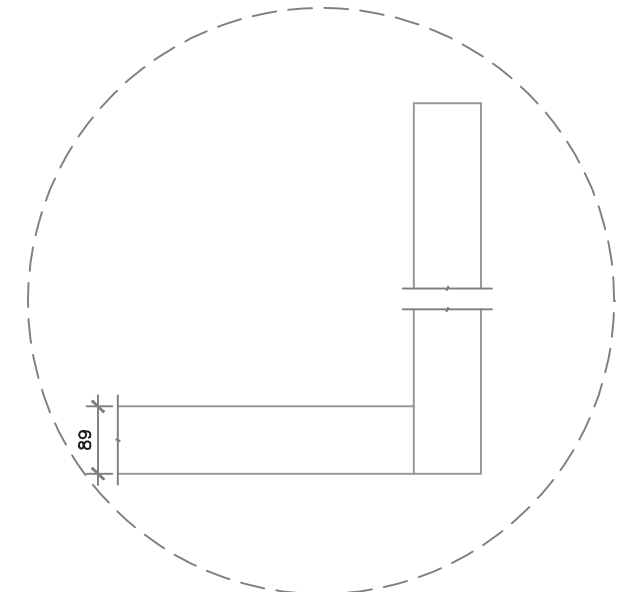
2 SECTION-2  
(EXCLUDING BACK WALL)  
A2, A3, A4, A5



3 SECTION-3  
A2, A3



4A PLAN OF LOWER TOP PLATE  
CONNECTION AT POSTS



4B PLAN OF UPPER TOP PLATE  
CONNECTION AT POSTS

General Notes  
FOR EDUCATIONAL  
PURPOSE ONLY

1)



DOCUMENT USE



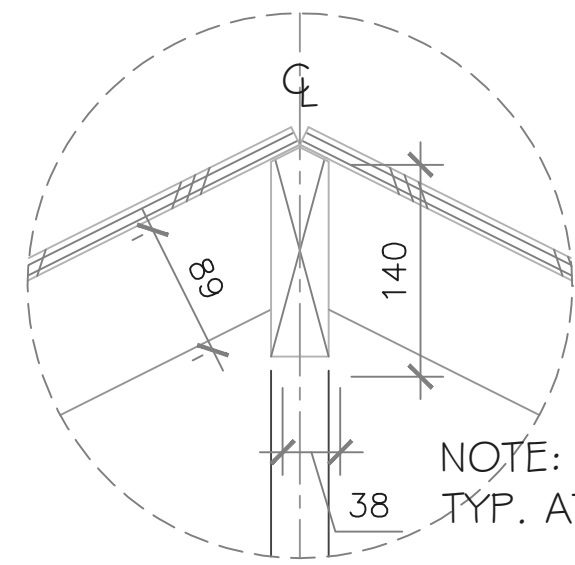
No.	Revision/Issue	Date
7	REVISIONS	JUN. 29
6	REVISIONS	JAN. 14
5	REVISIONS	JAN. 09
4	REVISIONS	DEC. 18
3	REVISIONS	DEC. 16
2	REVISIONS	DEC.12
1	DRAFT	NOV. 19

SKILLS  
CANADA

CARPENTRY  
POST  
SECONDARY

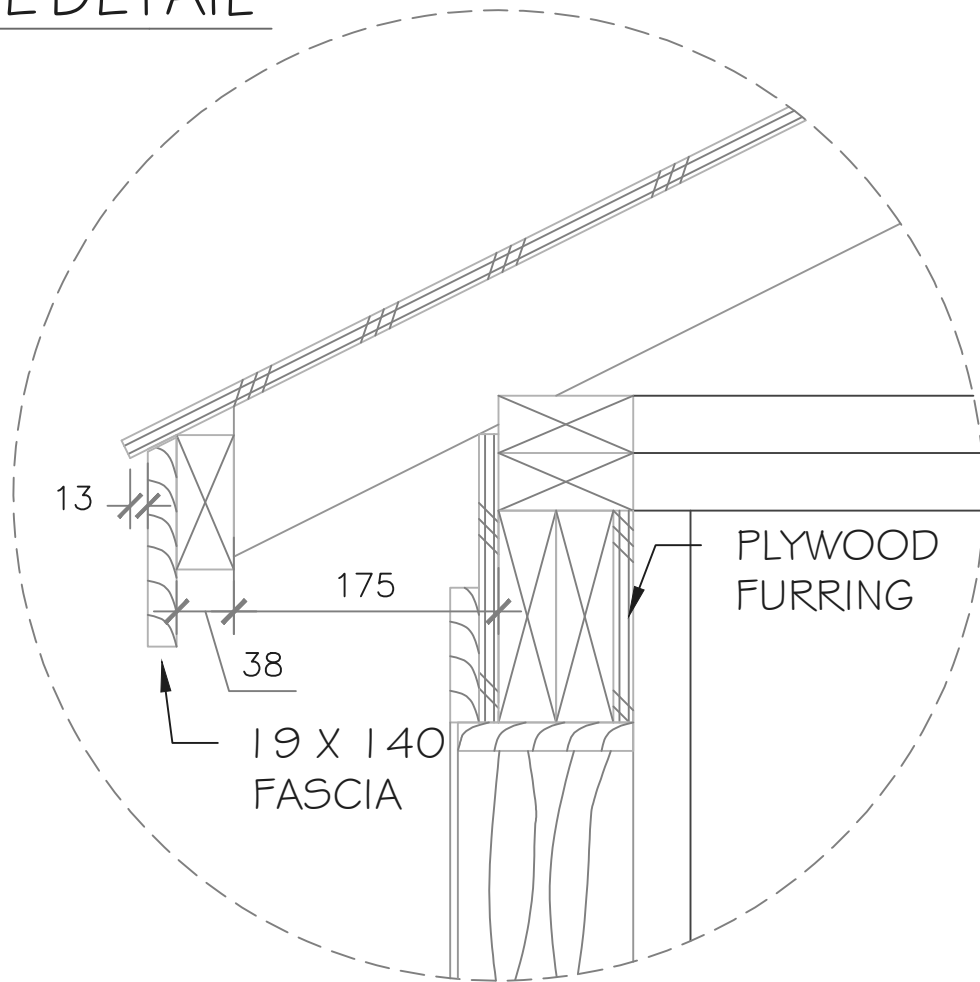
SECTIONS  
VERSION 2

DRAWN BY: D. DIMACALI	SHEET #
DATE: 06/29/2015	A6
SCALE: AS NOTED	

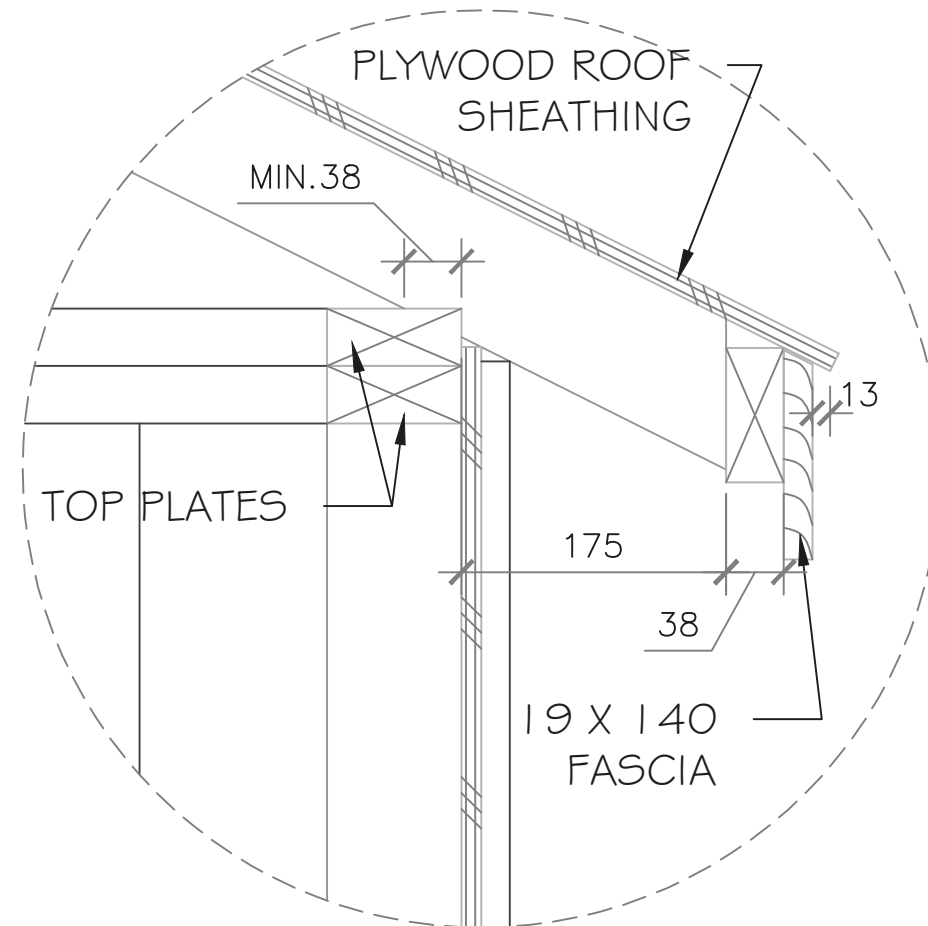


NOTE:  
TYP. AT EACH END

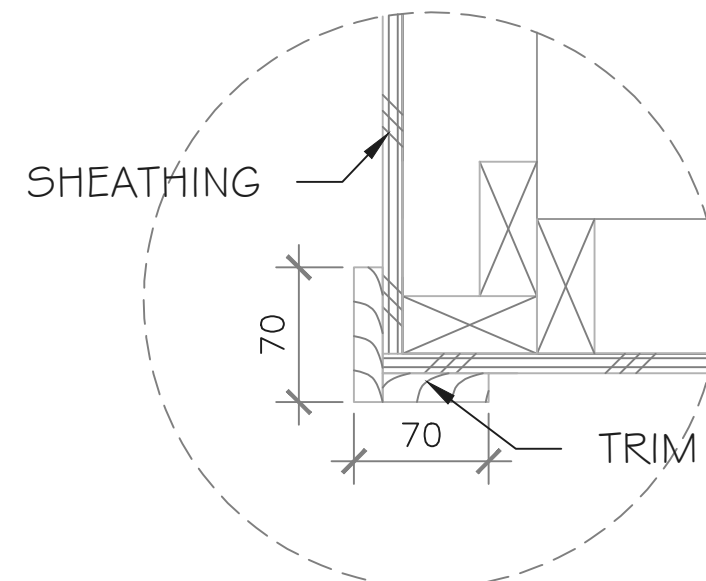
1 RIDGE DETAIL



2 EAVE DETAIL @ LINTEL



3 TYP. EAVE DETAIL



4 TYP. WALL @ CORNER

General Notes  
FOR EDUCATIONAL  
PURPOSE ONLY  
1) FASCIA CORNERS  
TO BE MITRED



DOCUMENT USE



7	REVISIONS	JUN. 29
6	REVISIONS	JAN. 14
5	REVISIONS	JAN. 09
4	REVISIONS	DEC. 18
3	REVISIONS	DEC. 16
2	REVISIONS	DEC. 12
1	DRAFT	NOV. 19
No.	Revision/Issue	Date

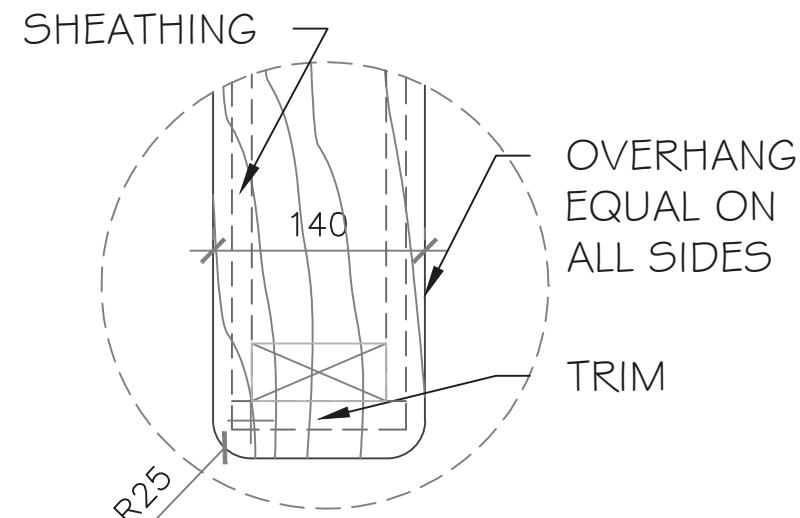
SKILLS  
CANADA

CARPENTRY  
POST  
SECONDARY

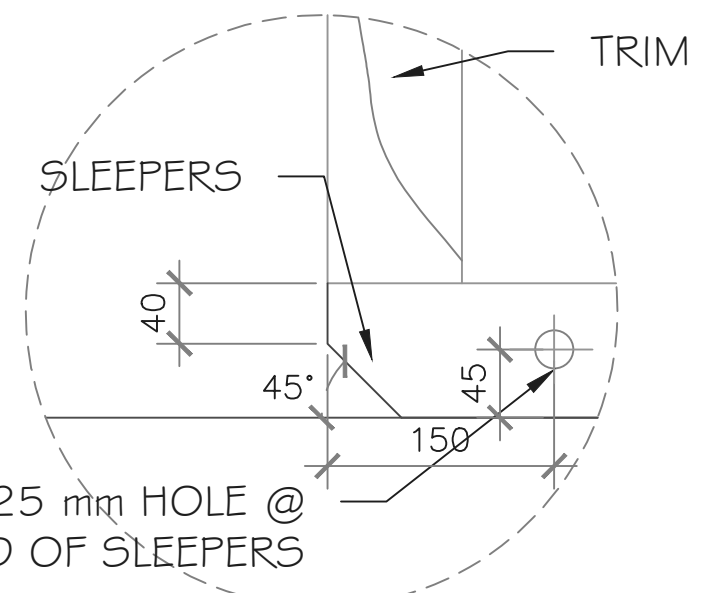
DETAILS  
VERSION 2

DRAWN BY: D. DIMACALI	SHEET #
DATE: 06/29/2015	A7
SCALE: AS NOTED	

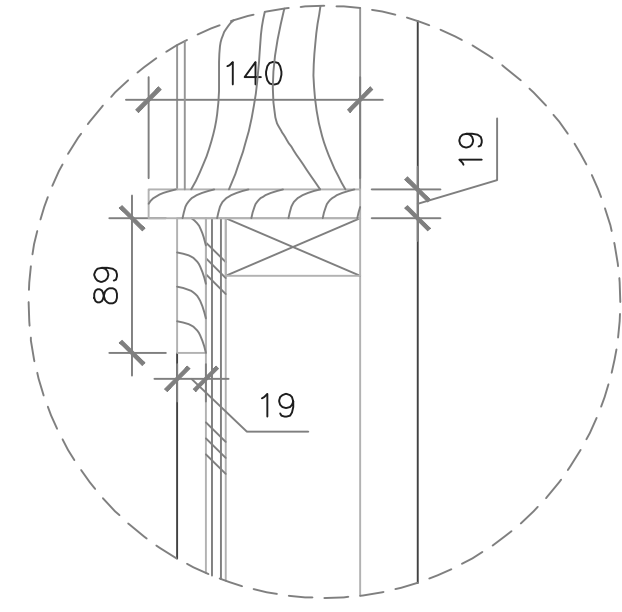




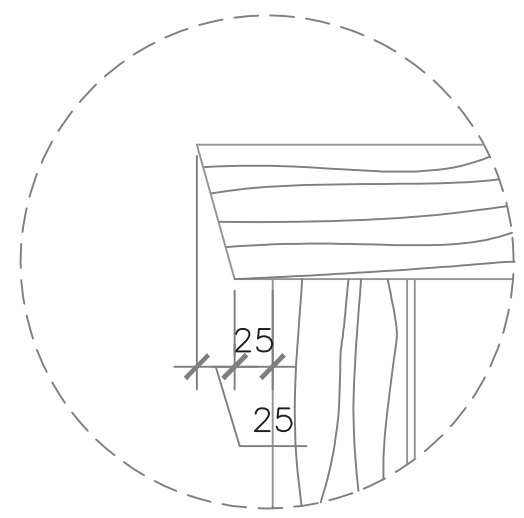
1  
A2  
WALL CAP DETAIL



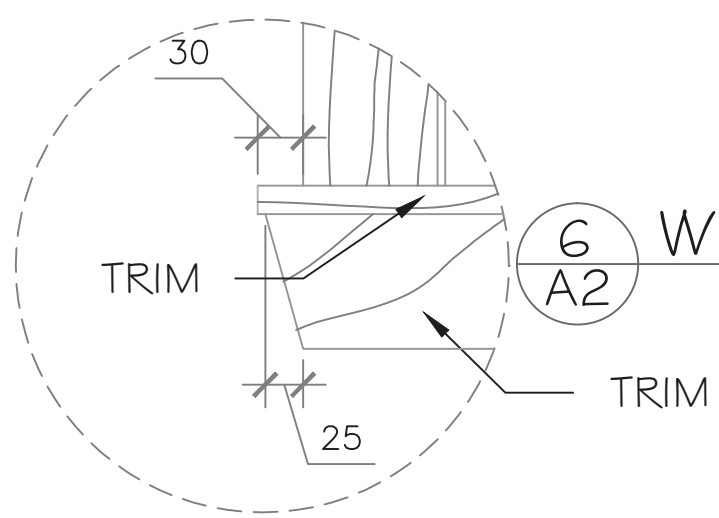
2  
A4  
SLEEPER ANGLE DETAIL



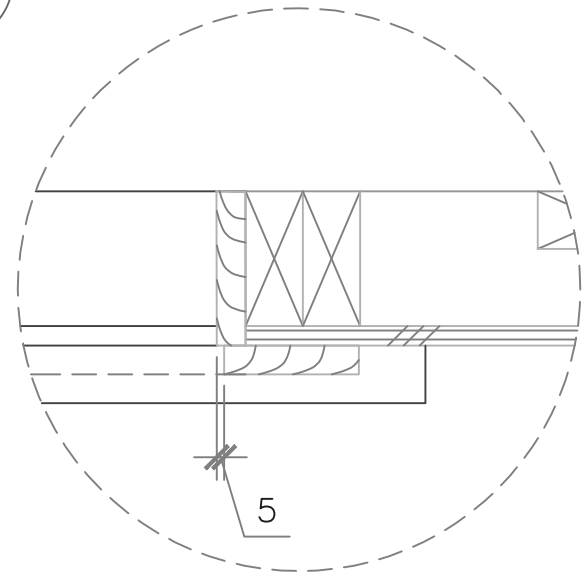
3  
A4  
WINDOW SILL DETAIL



4  
A4  
WINDOW HEAD TRIM DETAIL



5  
A4  
WINDOW SILL TRIM DETAIL



6  
A2  
WINDOW SILL PLAN DETAIL

General Notes  
FOR EDUCATIONAL  
PURPOSE ONLY  
1)



DOCUMENT USE



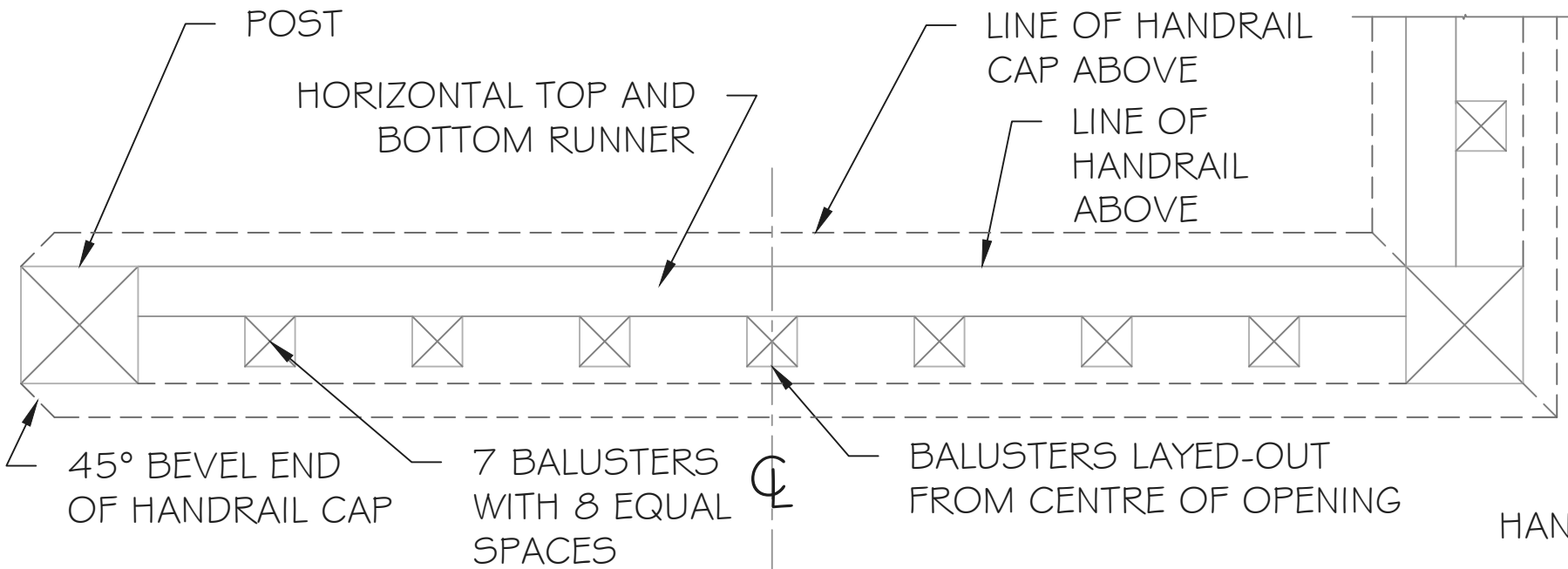
No.	Revision/Issue	Date
7	REVISIONS	JUN. 29
6	REVISIONS	JAN. 14
5	REVISIONS	JAN. 09
4	REVISIONS	DEC. 18
3	REVISIONS	DEC. 16
2	REVISIONS	DEC. 12
1	DRAFT	NOV. 19

SKILLS  
CANADA

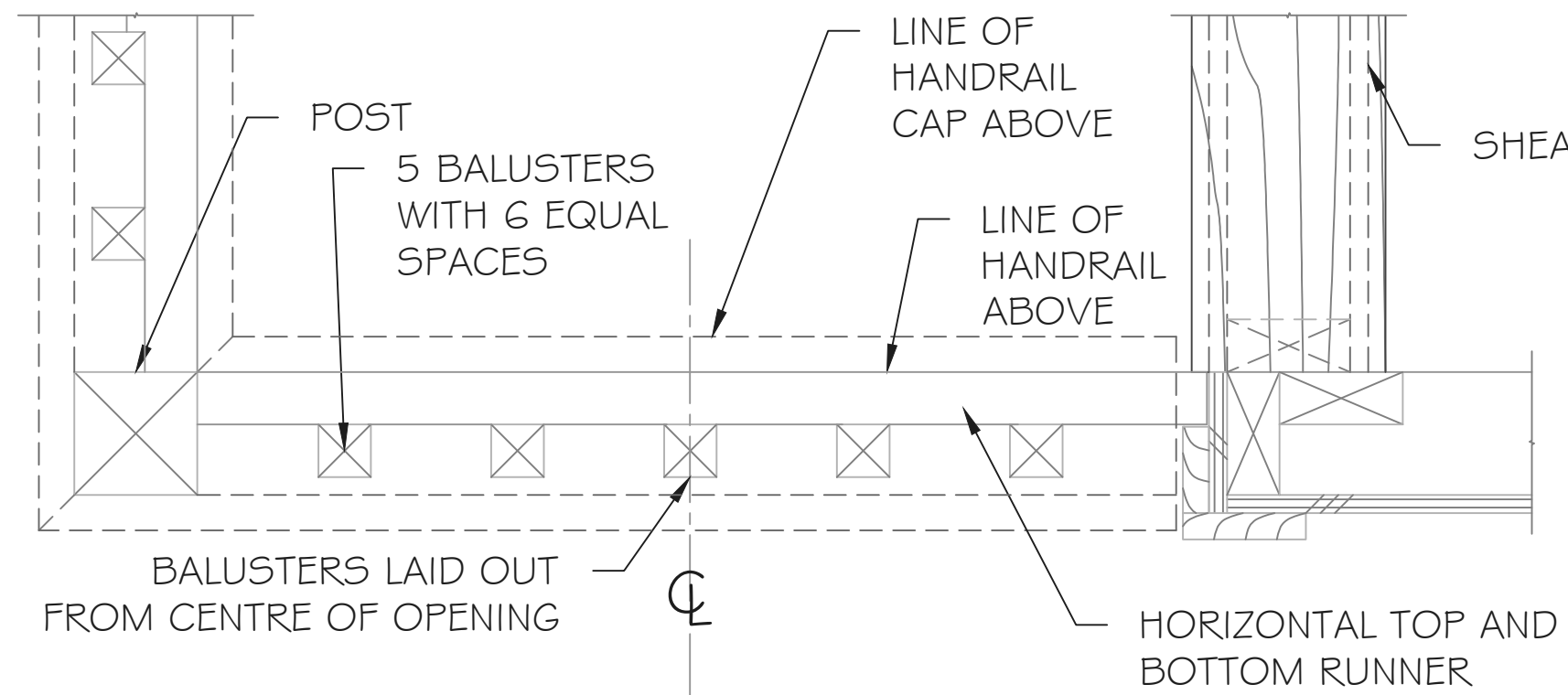
CARPENTRY  
POST  
SECONDARY

DETAILS  
VERSION 2

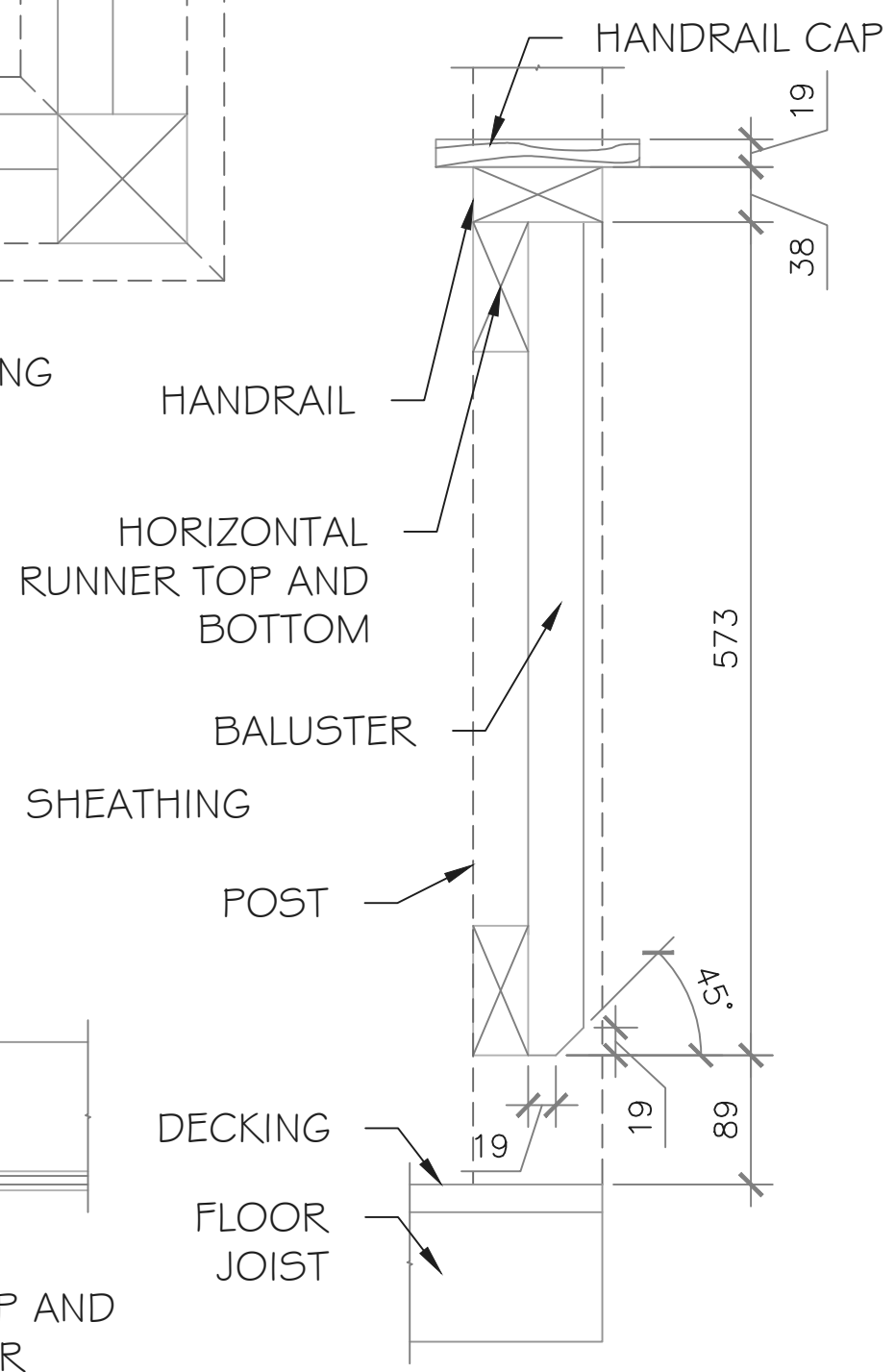
DRAWN BY: D. DIMACALI	SHEET #
DATE: 06/29/2015	A8
SCALE: AS NOTED	



1 FRONT RAILING PLAN  
A4



2 SIDE RAILING PLAN  
A5



3 BALUSTER SECTION  
A4

General Notes  
FOR EDUCATIONAL  
PURPOSE ONLY  
1)



DOCUMENT USE



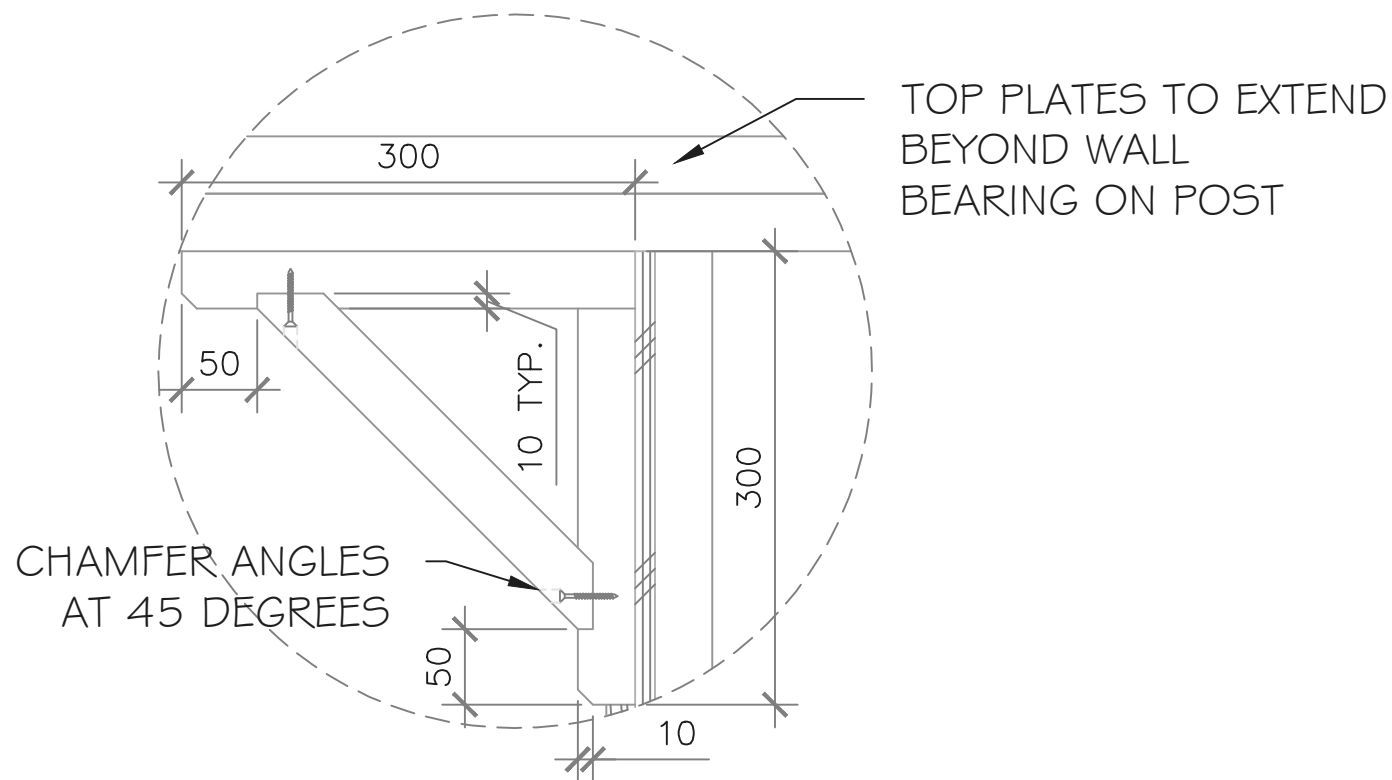
No.	Revision/Issue	Date
7	REVISIONS	JUN. 29
6	REVISIONS	JAN. 14
5	REVISIONS	JAN. 09
4	REVISIONS	DEC. 18
3	REVISIONS	DEC. 16
2	REVISIONS	DEC. 12
1	DRAFT	NOV. 19

SKILLS  
CANADA

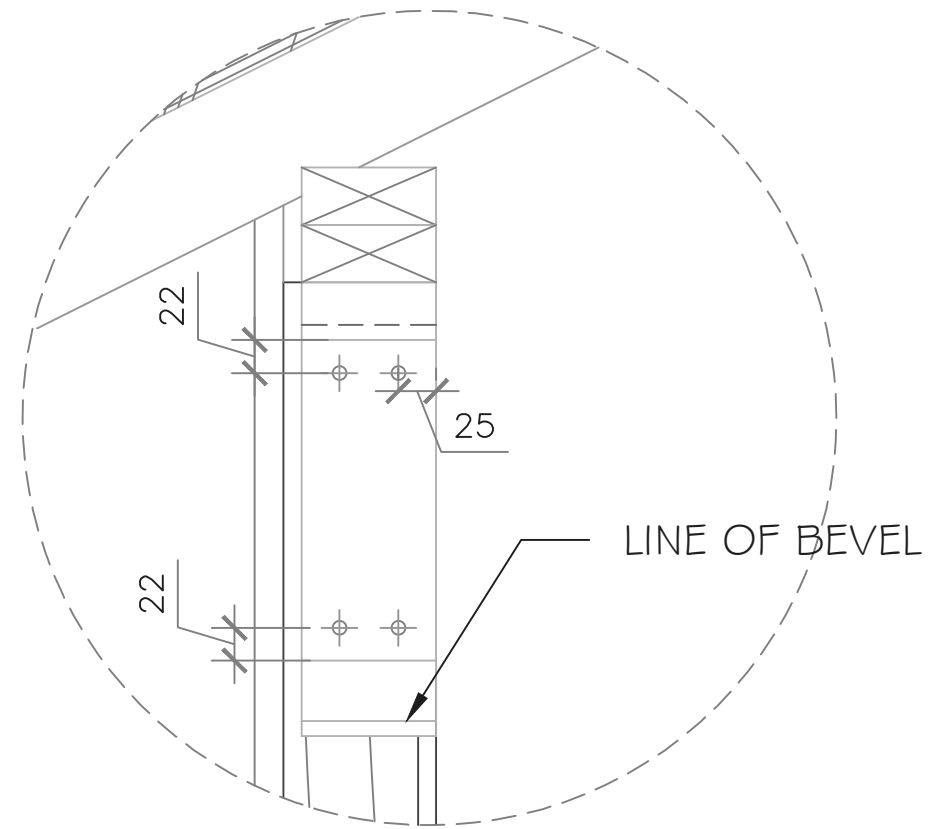
CARPENTRY  
POST  
SECONDARY

DETAILS  
VERSION 2

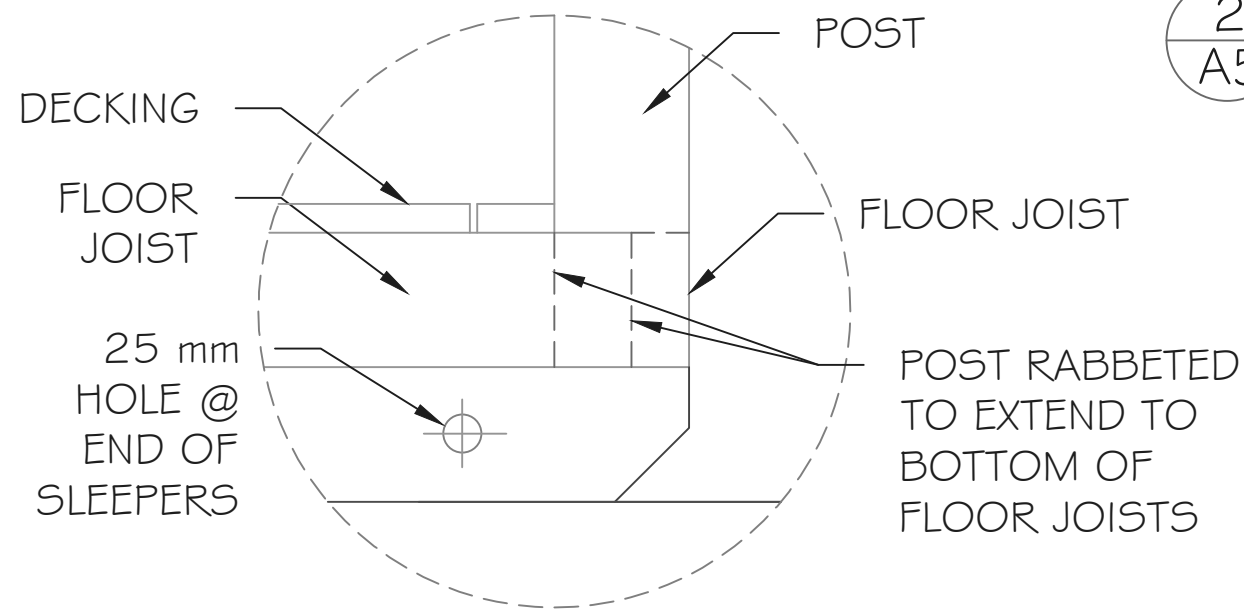
DRAWN BY: D. DIMACALI	SHEET #
DATE: 06/29/2015	A9
SCALE: AS NOTED	



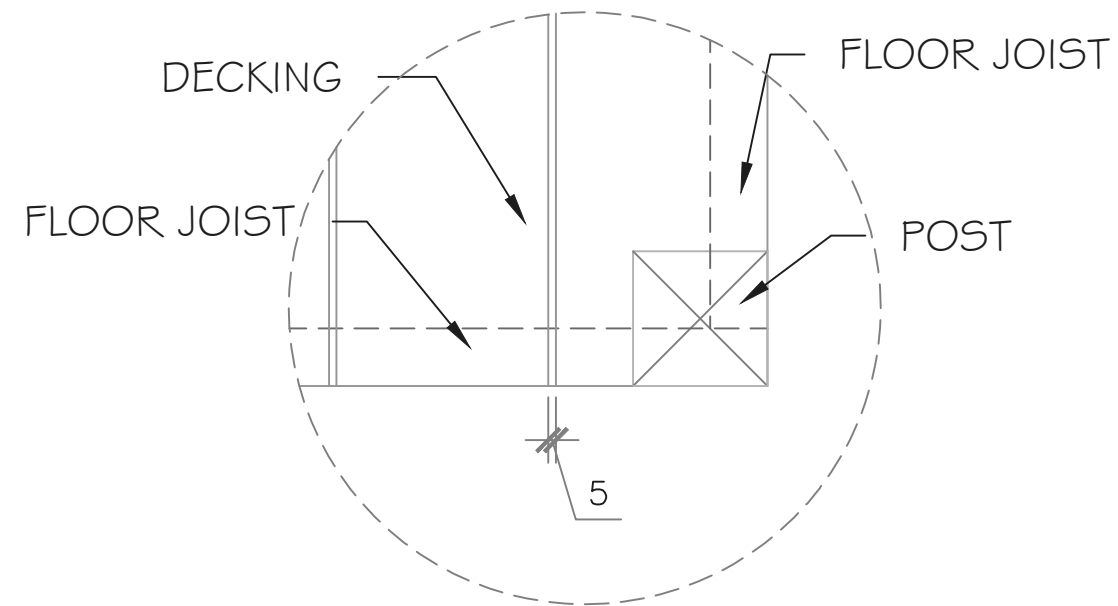
1 ARCHITECTURAL BRACKET DETAIL-A  
A5



2 ARCHITECTURAL BRACKET DETAIL-B  
A5



3 FLOOR JOISTS AT FRONT POSTS  
A4



4 DECKING AT FLOOR JOISTS  
A3

General Notes  
FOR EDUCATIONAL  
PURPOSE ONLY

1)



DOCUMENT USE



No.	Revision/Issue	Date
7	REVISIONS	JUN. 29
6	REVISIONS	JAN. 14
5	REVISIONS	JAN. 09
4	REVISIONS	DEC. 18
3	REVISIONS	DEC. 16
2	REVISIONS	DEC. 12
1	DRAFT	NOV. 19

SKILLS  
CANADA

CARPENTRY  
POST  
SECONDARY

DETAILS  
VERSION 2

DRAWN BY: D. DIMACALI	SHEET #
DATE: 06/29/2015	A10
SCALE: AS NOTED	